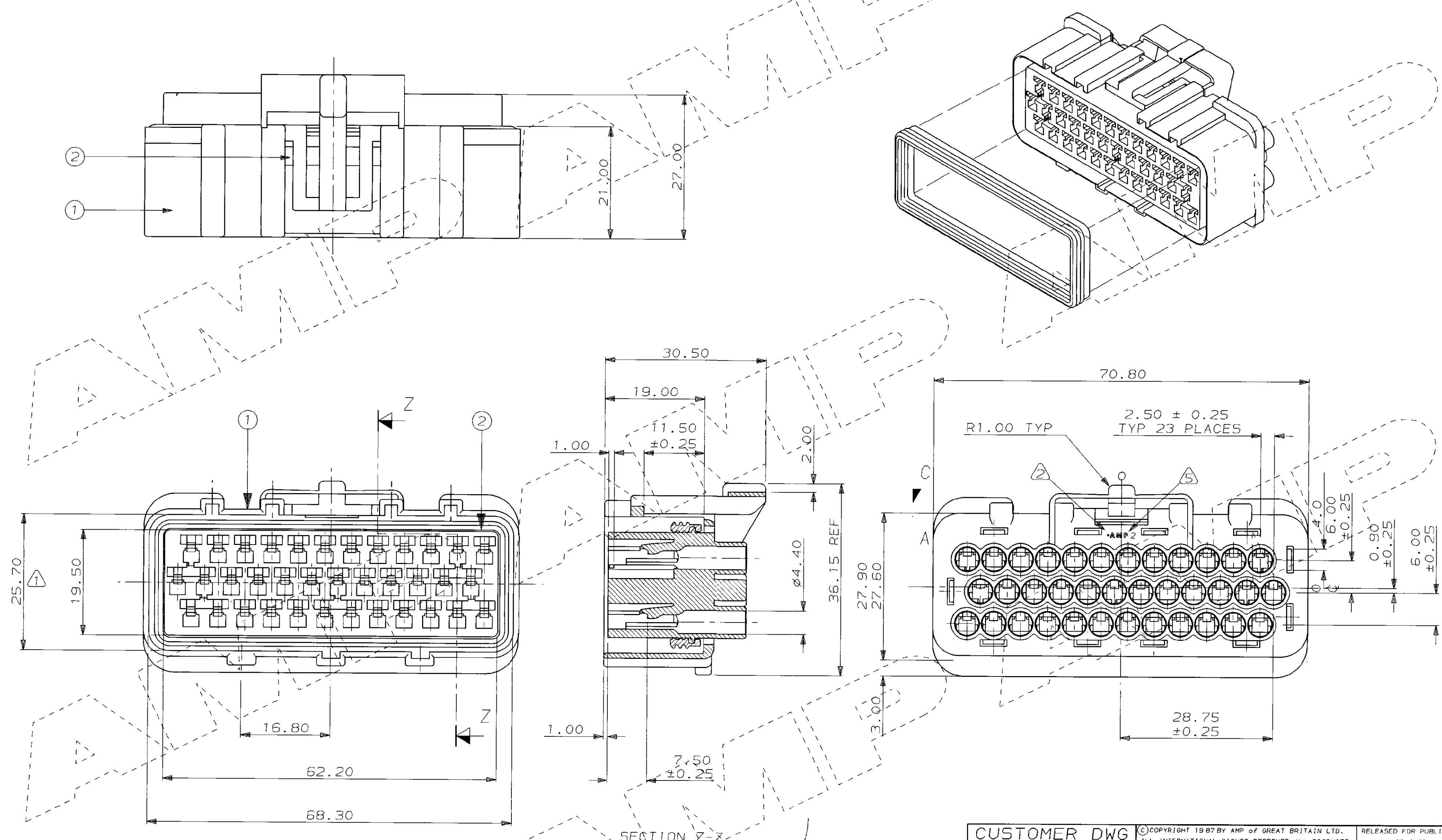


C.A.D. FILE CODE
S.C346189.B

DO NOT SCALE DIMENSIONS IN MM.



NOTES:
 1. THIS DIM. TO APPLY AT THE CORNERS OF THE SHROUD. AT THE POINT OF MAXIMUM BOW, THIS DIM. IS TO BE 23.60 MIN. THIS IS A CONTROL DIM. MONITORED AT AMP.
 2. AMP STAMP, DOT CODE & IMPRESSION NUMBER

ITEM No.	MATERIAL	DESCRIPTION	QTY PER ASSY.	ASSEMBLY PART No.
2	SILICONE RUBBER	PERIPHERAL SEAL	1	346189
1	NYLON 66	36 WAY REC. HSG.	1	

CUSTOMER DWG FOR REFERENCE ONLY				© COPYRIGHT 1987 BY AMP OF GREAT BRITAIN LTD. ALL INTERNATIONAL RIGHTS RESERVED. ALL PRODUCTS MAY BE COVERED BY BRITISH AND FOREIGN PATENTS AND/OR PATENTS PENDING.				RELEASED FOR PUBLICATION 23-6-97					
				TOLERANCES UNLESS OTHERWISE STATED : DEC ± 0.5 ANGLES ± 1°				DR.M. COLLINS 20/6/91 CH.R.J.S. APP. J. PALMER					
				NAME 36 WAY RECEPTACLE HOUSING ASSY. FOR ECONOSEAL 3 (WIRE TO BOARD)				AMP of Great Britain Ltd. TERMINAL HOUSE STANMORE MIDDXX.					
SCALE	LOC	SIZE	DWG.No.	REV	APPROVED	ECN	DATE	SCALE	LOC	SIZE	DWG.No.	REV	SHEET
2/1	E	A2	C346189	B				2/1	E	A2	C346189	B	1/1

单击下面可查看定价，库存，交付和生命周期等信息

[>>TE Connectivity\(泰科\)](#)