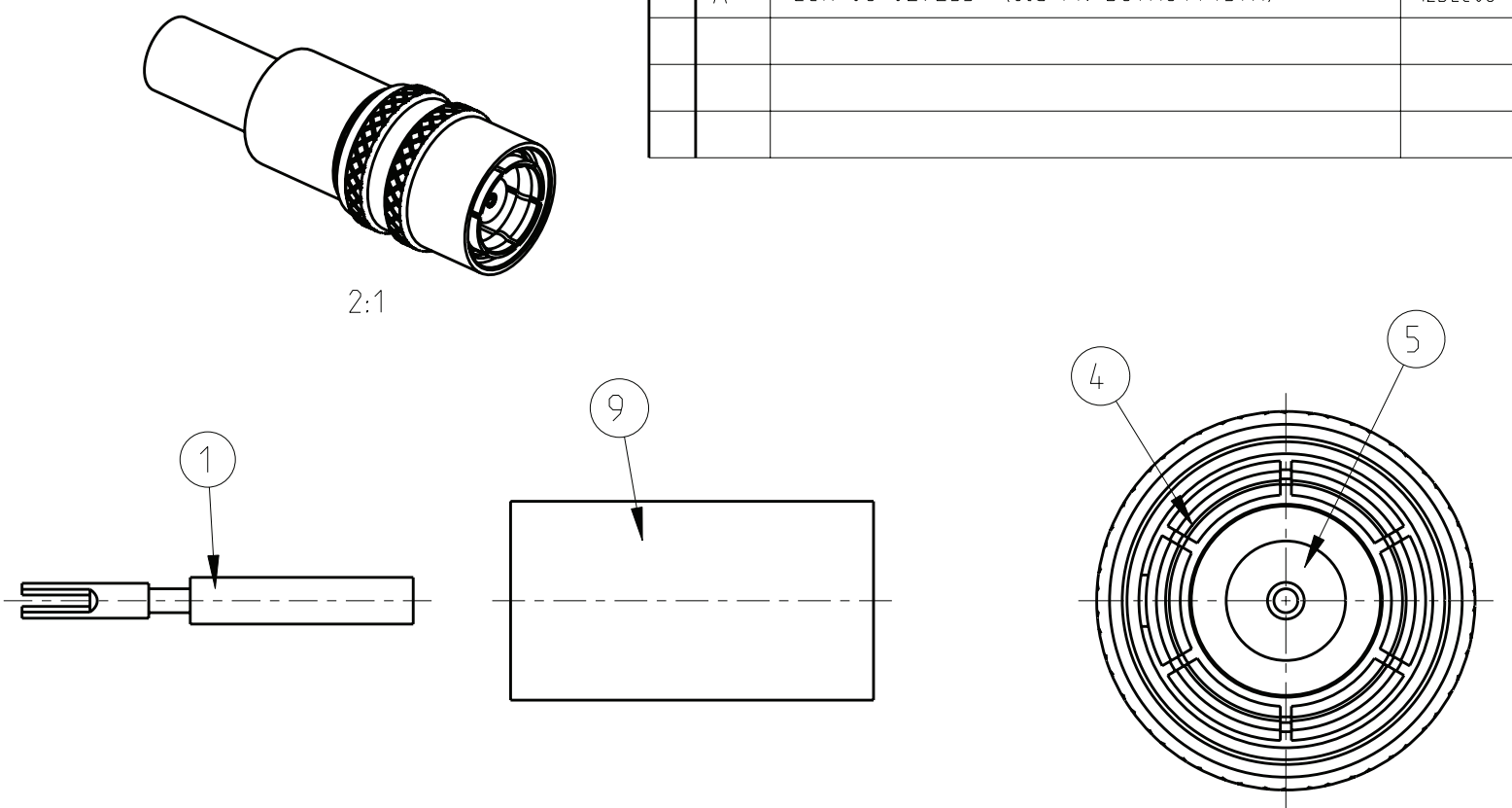
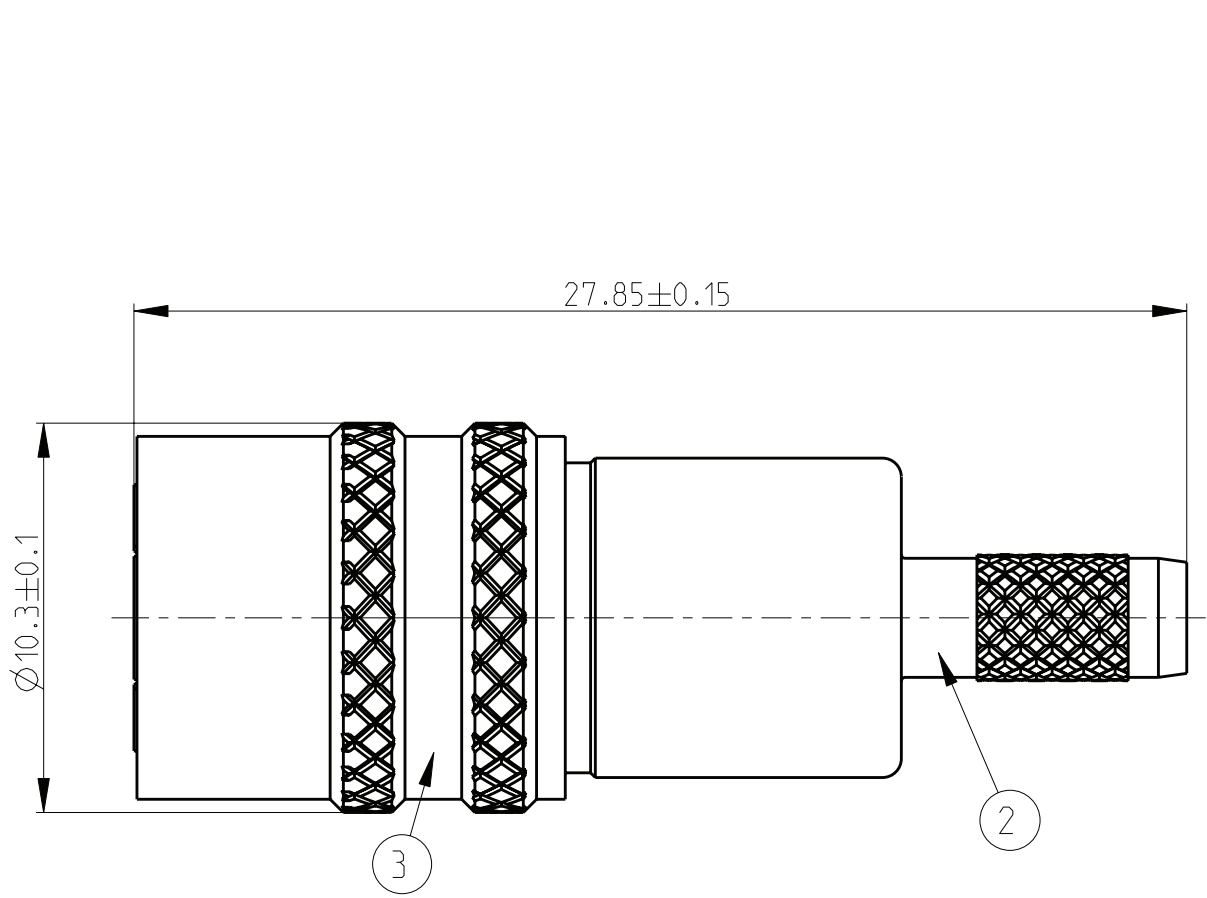


THIS DRAWING IS UNPUBLISHED. RELEASED FOR PUBLICATION
 © COPYRIGHT - BY TYCO ELECTRONICS CORPORATION. ALL RIGHTS RESERVED.

LOC	DIST	REVISIONS			
P	LTR	DESCRIPTION	DATE	DWN	APVD
IS	-	A	ECR-06-029233 (old PN B67A64T437X)	12DEC06	AN DB



- 1) Nominal characteristic impedance 75 Ohm.
- 2) General tolerances according to ISO 2768-mH.
- 3) 200 Plugs assy (pos. from 2 to 8) packed with 200 cent. conductors (pos. 1), 200 ferrules (pos. 9) and 1 crimp tool (PN 1402250-1 not visible on drawing), each separately in plastic bag. Plastic bags packed in carton box PN 973171-2. 6 carton boxes packed in carton box PN 973058-3.
- 4) 1 Plug assy (pos. from 2 to 8) packed with 1 cent. conductor (pos. 1) and 1 ferrule (pos. 9) in plastic bag.
- 5) Items 6,7 and 8 not visible on drawing.
- 6) Full crimp version
 Center conductor: crimp tool Tyco PN 1331706-1, adaptor crimp tool PN 1402250-1
 Crimpend: crimp tool Tyco PN 1311774-1 crimp hex 4.57 (PN 1313914-1)
 or alternatively
 crimp tool Tyco PN 734537-1 crimp hex 4.52 (PN 58425-2)

3 1311102-1 4 1311102-2	9	Ferrule	Brass	min. 1µm Ni over min. 0.1µm Cu	1
	8	Retaining ring Ø8.97	Copper Beryllium	-	1
	7	Retaining ring Ø8.71	Copper Beryllium	-	1
	6	Spring	Spring steel	-	1
	5	Dielectric	PTFE	-	1
	4	Outer conductor	Copper Beryllium	min. 0.2µm Au over min. 2µm NiP	1
	3	Sleeve	Brass	min. 2µm Ni over min. 0.2µm Cu	1
	2	Crimpend	Brass	min. 2µm Ni over min. 0.2µm Cu	1
	1	Center conductor	Copper Beryllium	min. 0.2µm Au over min. 2µm NiP	1
Part Nr	Item	Description	Material	Plating	Qty

THIS DRAWING IS A CONTROLLED DOCUMENT FOR TYCO ELECTRONICS CORPORATION IT IS SUBJECT TO CHANGE AND THE CONTROLLING ENGINEERING ORGANIZATION SHOULD BE CONTACTED FOR THE LATEST REVISION.		DWN 12DEC2006 A. Nicolini	tyco Electronics		tyco Electronics CH - Switzerland - Lugano
DIMENSIONS: mm		CHK 12DEC2006 D.Bozzer	NAME BT43 Plug Cable Crimp BT3002 Quick Lock		
TOLERANCES UNLESS OTHERWISE SPECIFIED: 0 PLC ± 1 PLC ± 2 PLC ± 3 PLC ± 4 PLC ± ANGLES ±		APVD - PRODUCT SPEC - APPLICATION SPEC - WEIGHT -	RESTRICTED TO A3 00779 C=1311102		
MATERIAL see table FINISH see table		CUSTOMER DRAWING		SCALE 5:1	SHEET 1 OF 1

单击下面可查看定价，库存，交付和生命周期等信息

[>>TE Connectivity\(泰科\)](#)