

4

3

2

1

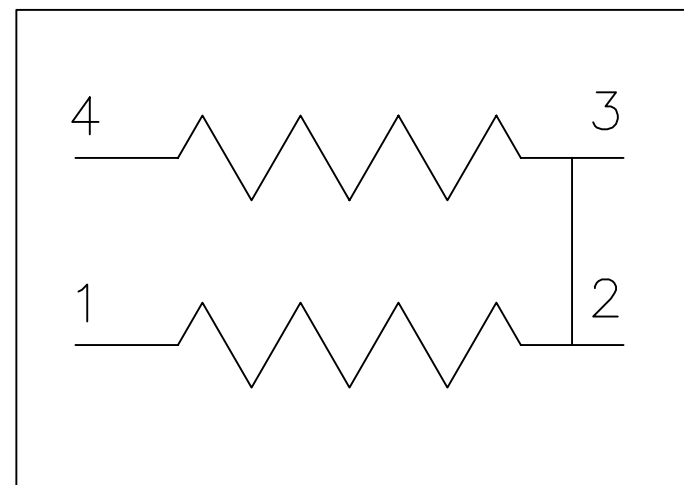
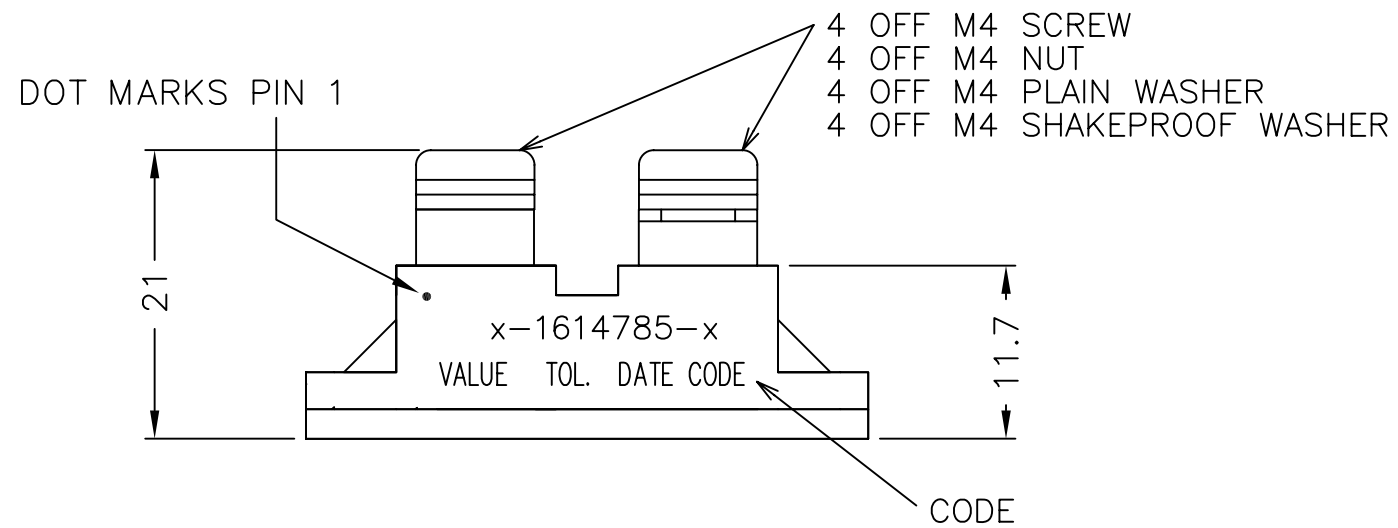
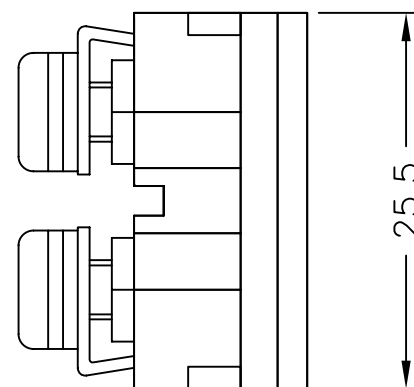
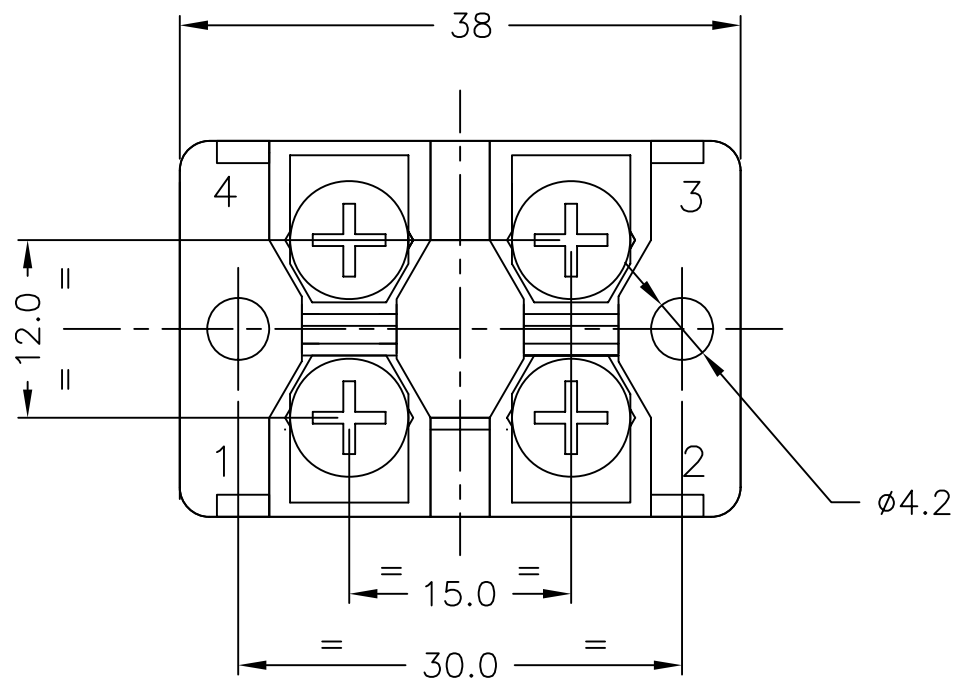
THIS DRAWING IS UNPUBLISHED.

RELEASED FOR PUBLICATION

NOV ,2005.

© COPYRIGHT 2005 BY TYCO ELECTRONICS CORPORATION. ALL RIGHTS RESERVED.

LOC	DIST	REVISIONS			
P	LTR	DESCRIPTION	DATE	DWN	APVD
E	B	C	ECR-07-009611	20APR07	RB JC



RoHS Compliant

FOR A SPECIFIC PN FOR A RESISTANCE VALUE AND TOLERANCE, PLEASE REFER TO DMF.

THIS DRAWING IS A CONTROLLED DOCUMENT.		DWN DAVE KENNEDY 04NOV05	tyco Tyco Electronics Corporation	
DIMENSIONS: MM		CHK J CATCHPOLE 04NOV05	Electronics Dorcan, Swindon, SN3 5HH	
TOLERANCES UNLESS OTHERWISE SPECIFIED:		APVD J CATCHPOLE 04NOV05	NAME 100W POWER RESISTOR BDS-4-E-100	
0 PLC ± -		PRODUCT SPEC -	APPLICATION SPEC -	
1 PLC ± -		APPLIC. SPEC -	SIZE A3	CAGE CODE 00779
2 PLC ± -		WEIGHT -	DRAWING NO C-1614785	
3 PLC ± -		CUSTOMER DRAWING	RESTRICTED TO -	
4 PLC ± -		SCALE NTS	SHEET 1 OF 1	REV C
ANGLES ± -				
FINISH -				

单击下面可查看定价，库存，交付和生命周期等信息

[>>TE Connectivity\(泰科\)](#)