

THIS DRAWING IS UNPUBLISHED.

RELEASED FOR PUBLICATION

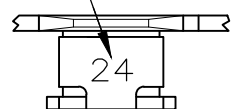
REVISIONS

© COPYRIGHT - By -

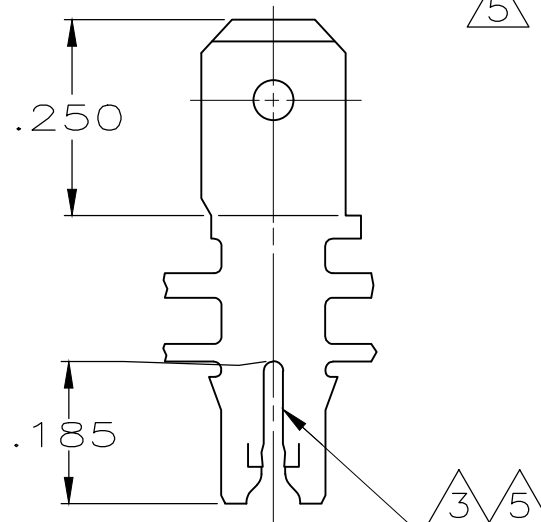
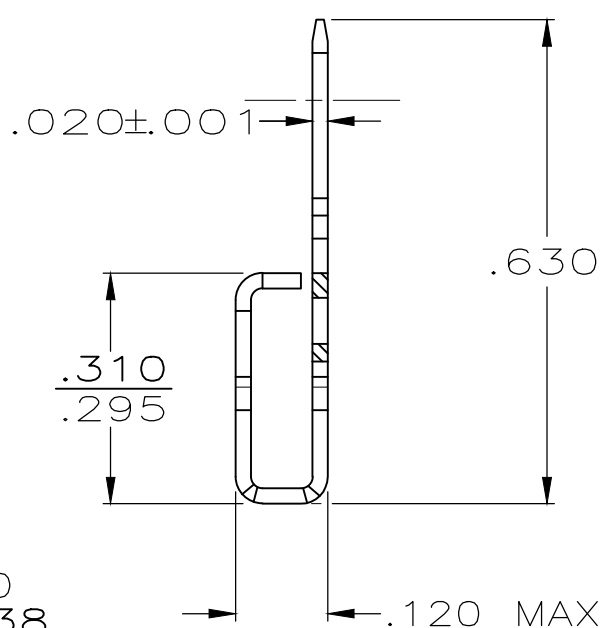
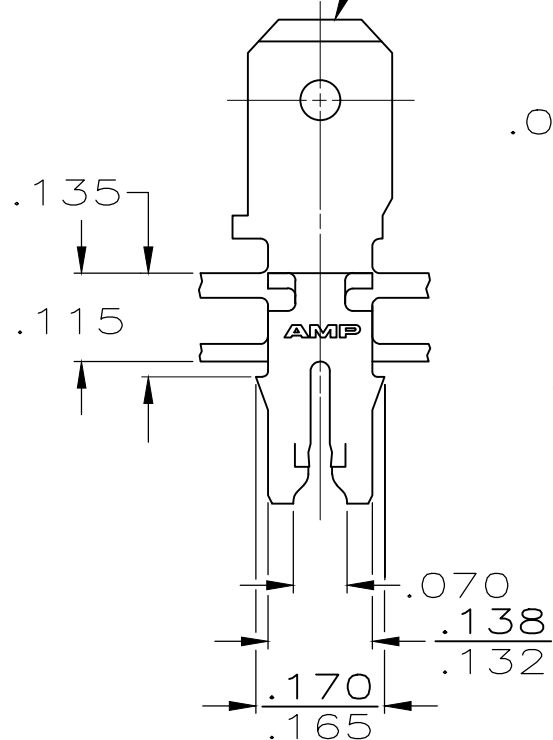
ALL RIGHTS RESERVED.

P	LTR	DESCRIPTION	DATE	DWN	APVD
	J1	REVISED PER ECR-19-018359	27NOV2019	JA	PKS

IDENTIFICATION NUMBER 24 FOR MAGNET WIRE RANGE.



FITS .187 SERIES FASTON RECEPTACLE



- ① MAG-MATE CAVITY SPECIFICATION.
- ② CONTINUOUS STRIP ON REELS WITH TERMINALS LOCATED ON .220 CENTERS.
- ③ SLOT ACCEPTS A SINGLE WIRE ONLY.  
COPPER MAGNET WIRE RANGE: 0.91-1.20mm [#19-#16.5 AWG] OR  
ALUMINUM MAGNET WIRE RANGE: 0.95-1.20mm [#18.5-#16.5 AWG] ALUMINUM WIRE RANGE APPLIES FOR POST-TIN PLATED VERSIONS ONLY.
- ④ AFTER INSERTION INTO PLASTIC HOLDER TAB PORTION MUST BE BENT OVER 45 TO 90° OR POTTED TO PREVENT PULL-OUT WHEN MATING RECEPTACLE IS DISCONNECTED.
- ⑤ #18.5-#16.5 AWG ALUMINUM MAGNET WIRE WITH CAVITY ANVIL HEIGHT OF .090±.005.

63273-1

THIS DRAWING IS A CONTROLLED DOCUMENT.		DWN MICHAEL S. FEHER 11/7/88	TE Connectivity		
DIMENSIONS: INCHES		CHK JEFF R. RUTH 11/9/88			
TOLERANCES UNLESS OTHERWISE SPECIFIED:		APVD NELSON E NEFF 11/9/98	PRODUCT SPEC		
0 PLC ± - 1 PLC ± - 2 PLC ± - 3 PLC ± .010 4 PLC ± - ANGLES ± -		APPLICATION SPEC 5114-2046 ①	SIZE A3	CAGE CODE 00779	DRAWING NO C-63273
MATERIAL BRASS		FINISH TIN PLATED	WEIGHT 0.000000	RESTRICTED TO -	
CUSTOMER DRAWING			SCALE 4:1	SHEET 1 OF 1	REV J1

单击下面可查看定价，库存，交付和生命周期等信息

[>>TE Connectivity\(泰科\)](#)