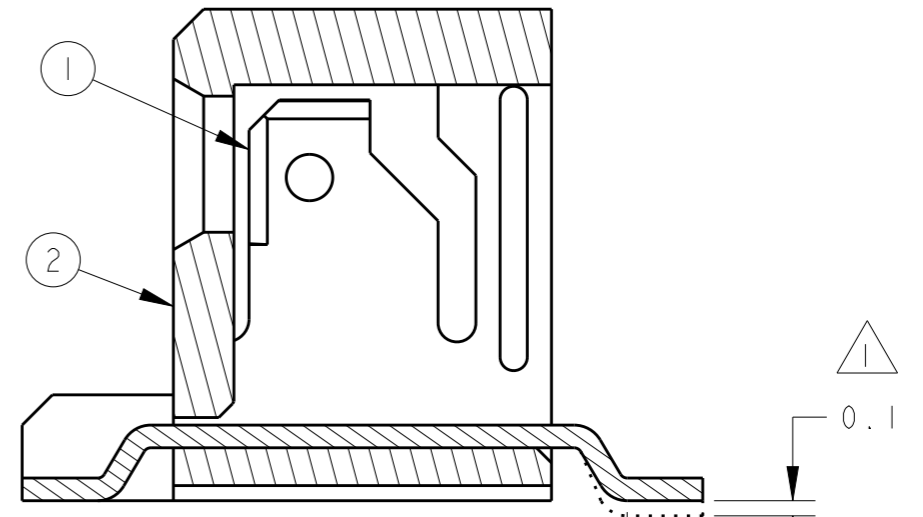
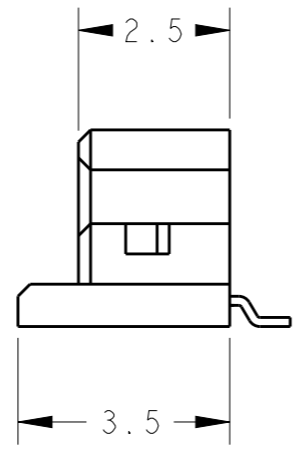
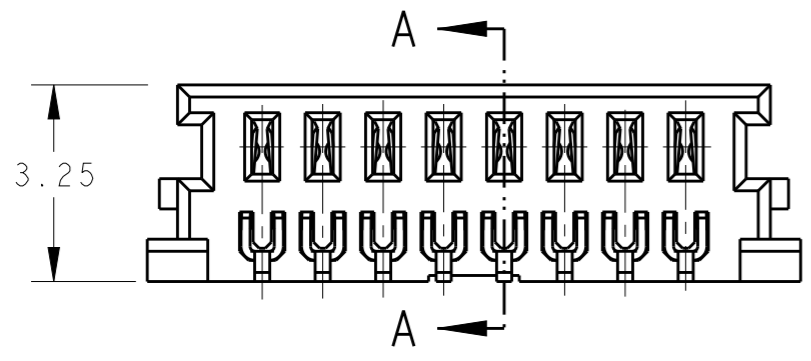
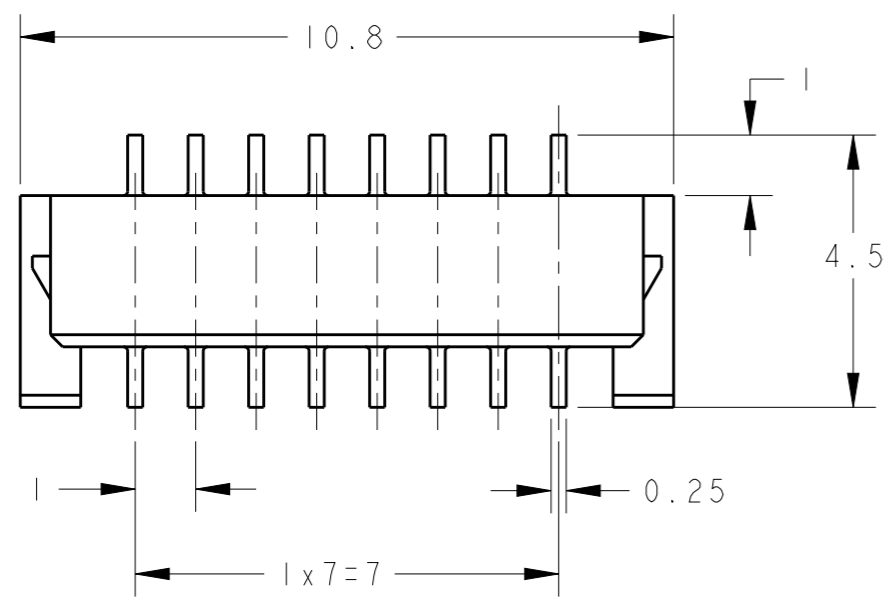


THIS DRAWING IS UNPUBLISHED. RELEASED FOR PUBLICATION 2003
 © COPYRIGHT 2003 BY - ALL RIGHTS RESERVED.

REVISIONS					
変更					
P	LTR	DESCRIPTION	DATE	DWN	APVD
0		RELEASED	FJD0-0147-03	09MAY2003	Y.K S.M
A		REVISED	FJD0-0334-03	30SEP2003	Y.K S.M
B		REVISED		29JUL2011	H.U N.Y
C		REVISED, ECR-16-015703		06DEC2016	Y.O N.Y



A - A
SCALE 20:1

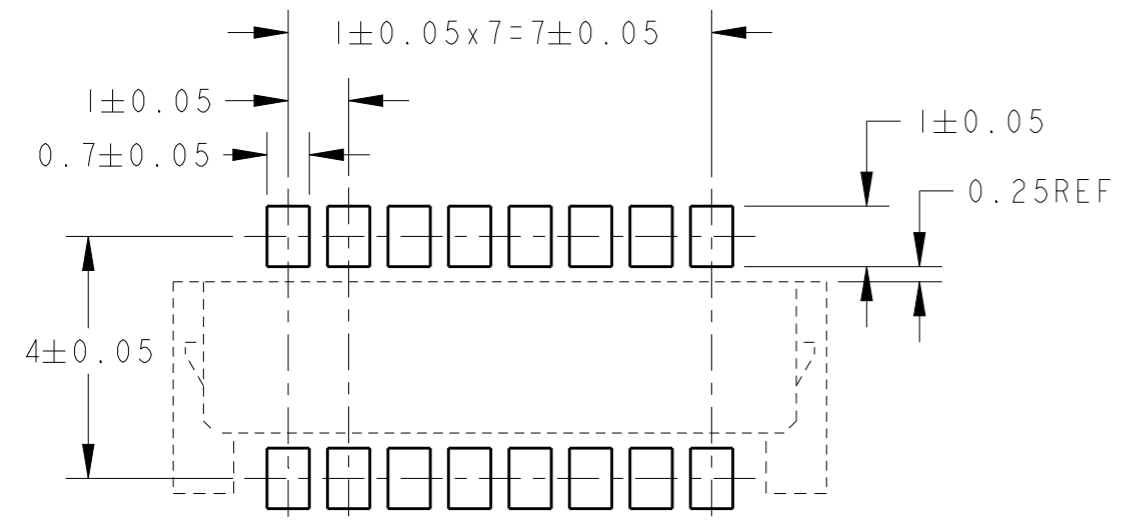
注記
△ タインフラット部のあばれ許容値

NOTE
△ FLATNESS OF TINE SOLDER SURFACE

POLYAMIDE 9T, 94V-0 (BLACK)	HDR HSG (8P)	2
Phoshor Bronze, FINISH UNDER Ni 1.27µm MIN, SURFACE Au 0.2µm MIN	REC CONTACT	1
MATERIAL AND FINISH		ITEM NO.
PARTS LIST		

1674000-2
PART NUMBER

THIS DRAWING IS A CONTROLLED DOCUMENT.		DWN Y. KATO 09MAY2003	TE Connectivity	
		CHK S. MANABE 09MAY2003		
		APVD S. MANABE 09MAY2003	NAME 名称 HDR ASSY	
		PRODUCT SPEC 製品規格 108-5865	mini VP 1.0mm W to B CONN.	
		APPLICATION SPEC 取付適用規格 -	-	
MATERIAL 材料 SEE TABLE		WEIGHT -	SIZE A3	CAGE CODE 00779
FINISH 仕上 SEE TABLE		CUSTOMER DRAWING	DRAWING NO. 番号 C-1674000	RESTRICTED TO -
		SCALE 尺度 8:1	SHEET 1 OF 1	REV C



推奨基板寸法
RECOMMENDED P.C.BOARD DIM.

单击下面可查看定价，库存，交付和生命周期等信息

[>>TE Connectivity\(泰科\)](#)