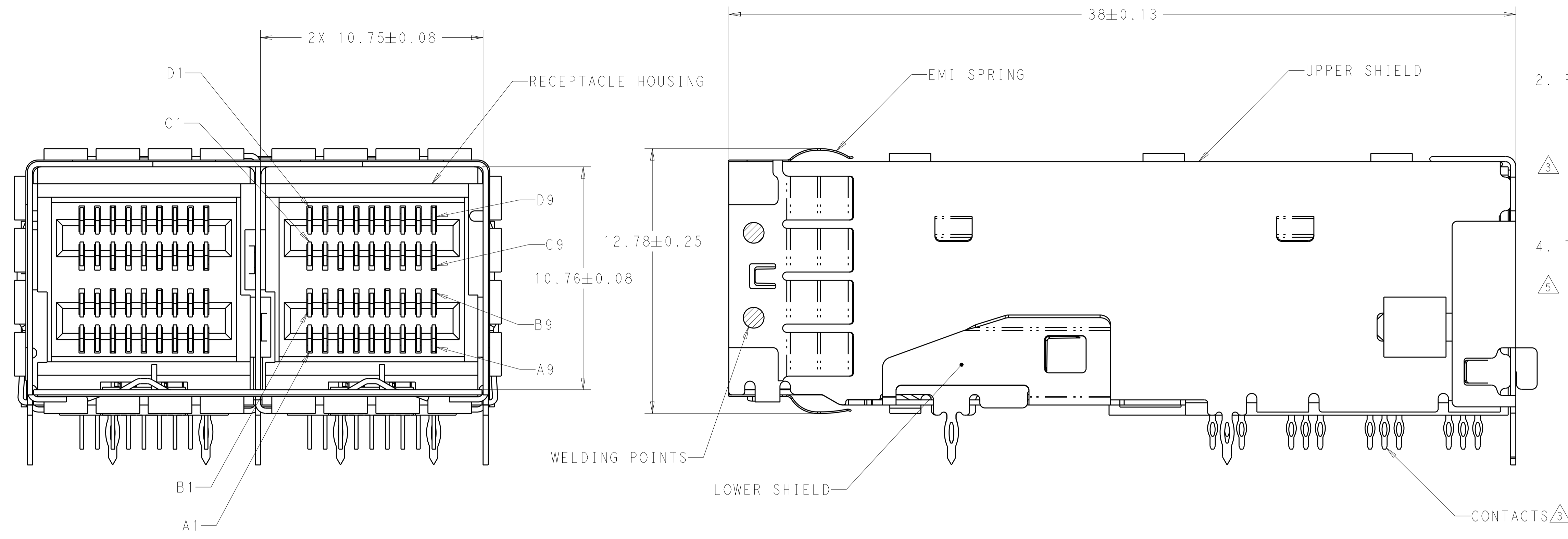
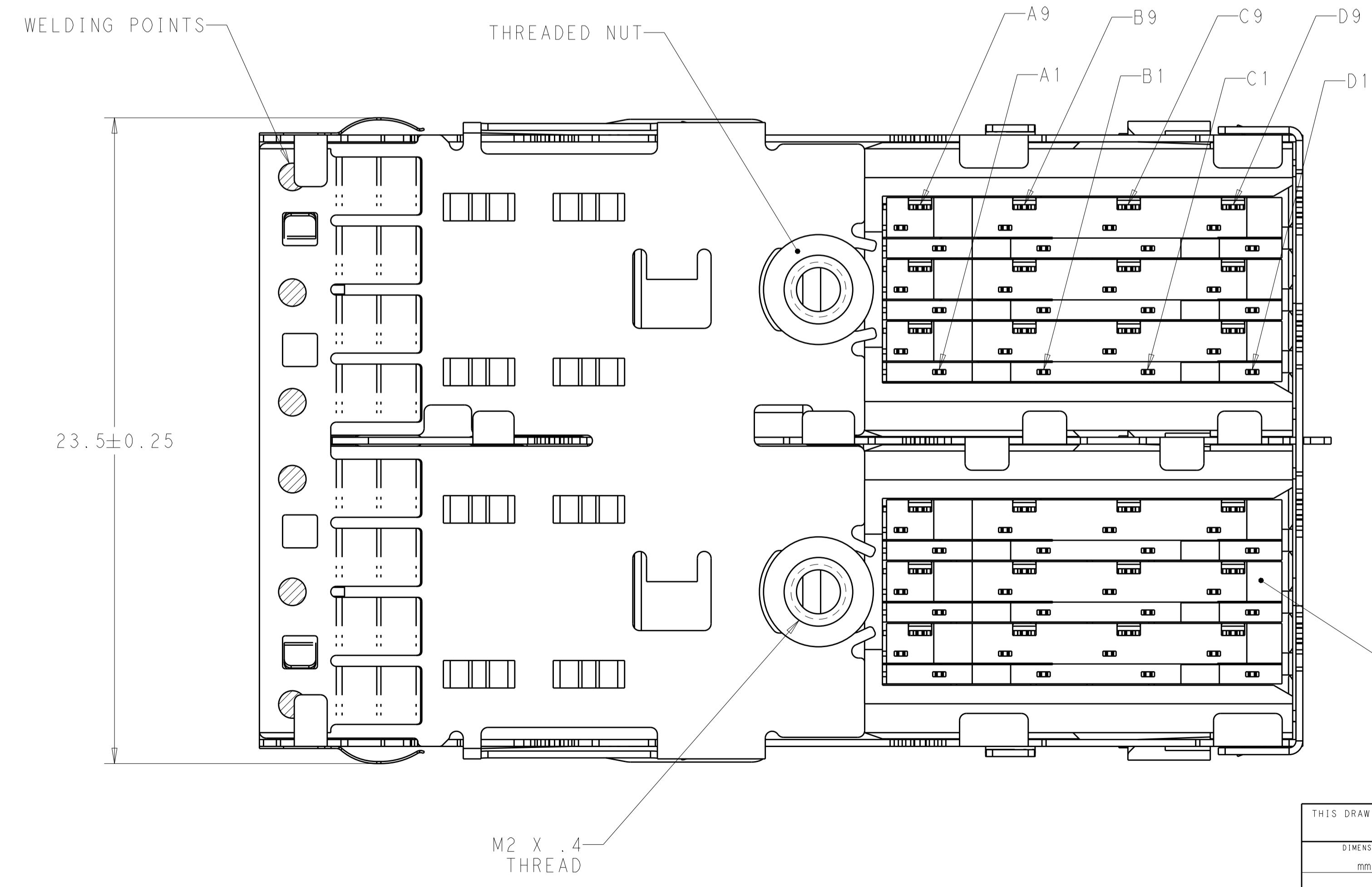


LOC	DIST	REVISIONS					
		P	LTN	DESCRIPTION	DATE	DWN	APVD
AG	00	A		REVISED PER ECO-14-018497	16DEC2014	AP	DG
		B		REVISED PER ECO-16-006997	09MAY2016	JY	SH
		C		REVISED PER ECO-16-007813	23MAY2016	JY	SH



1. MATERIALS
 RECEPTACLE HOUSING, LCP, BLACK, UL94V-0 RATED
 SHIELD ASSY: NICKEL SILVER COPPER ALLOY
 CONTACTS: COPPER ALLOY
 EMI SPRING: COPPER ALLOY
 THREADED NUT: BRASS
 CHICKLETS: LCP, BLACK, UL 94V-0 RATED
 2. FINISH
 EMI SPRING: TIN PLATE OVER NICKEL PLATE
 NON-PLATED EDGES PERMISSABLE
 THREADED NUT: NICKEL PLATE
 3. CONTACT FINISH: CONFORMS TO THE REQUIREMENTS OF TE PRODUCT SPECIFICATION, 108-2462. BASED ON EIA/ECA-364-1000.01A. (CONTROLLED ENVIRONMENT APPLICATIONS) ON MATING END. TIN PLATED ON PCB TAIL
 4. THREAD LENGTH OF FASTENER = PCB THICKNESS + 1.45 MAX
- RECOMMENDED TRACE KEEP OUT ZONE



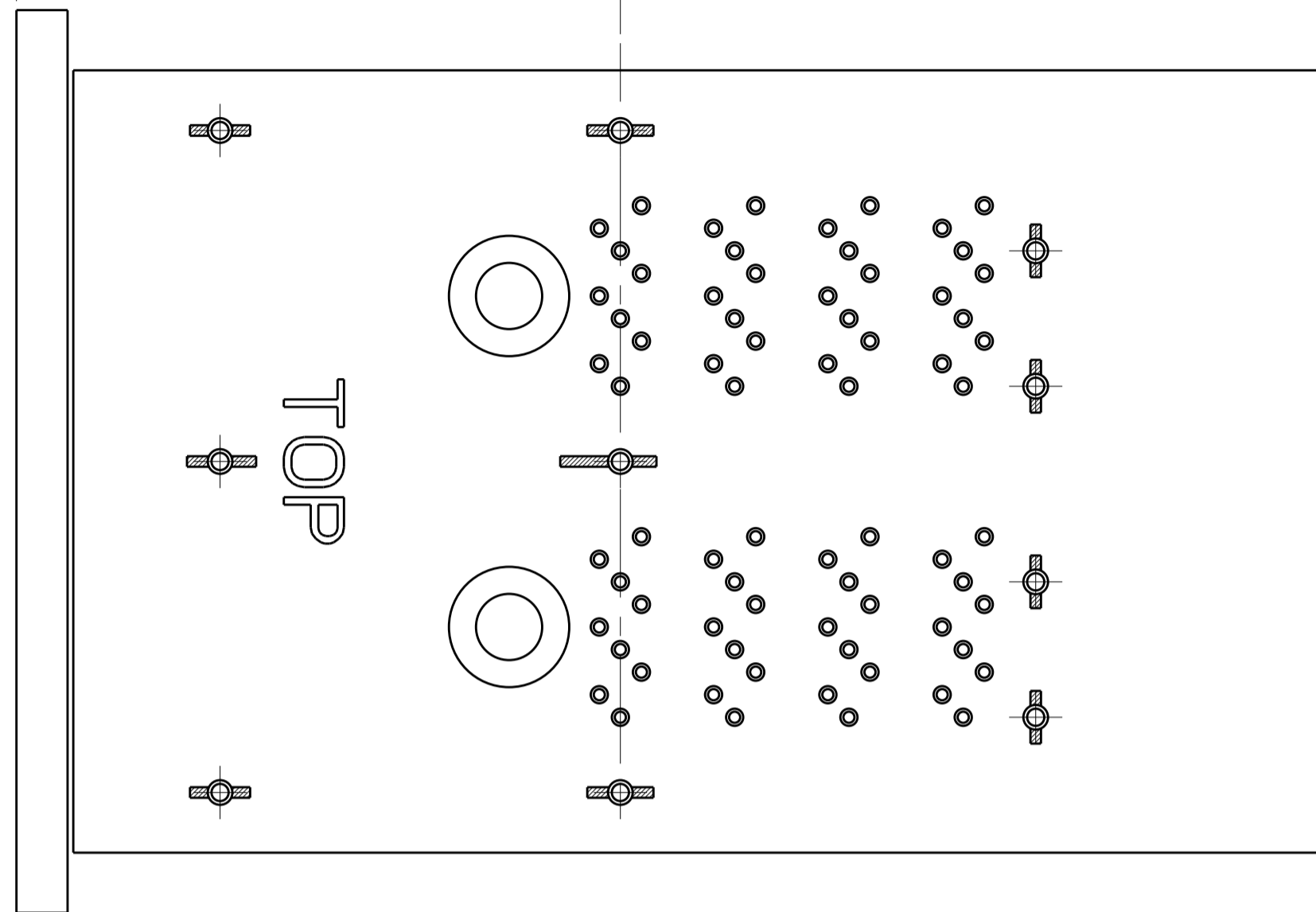
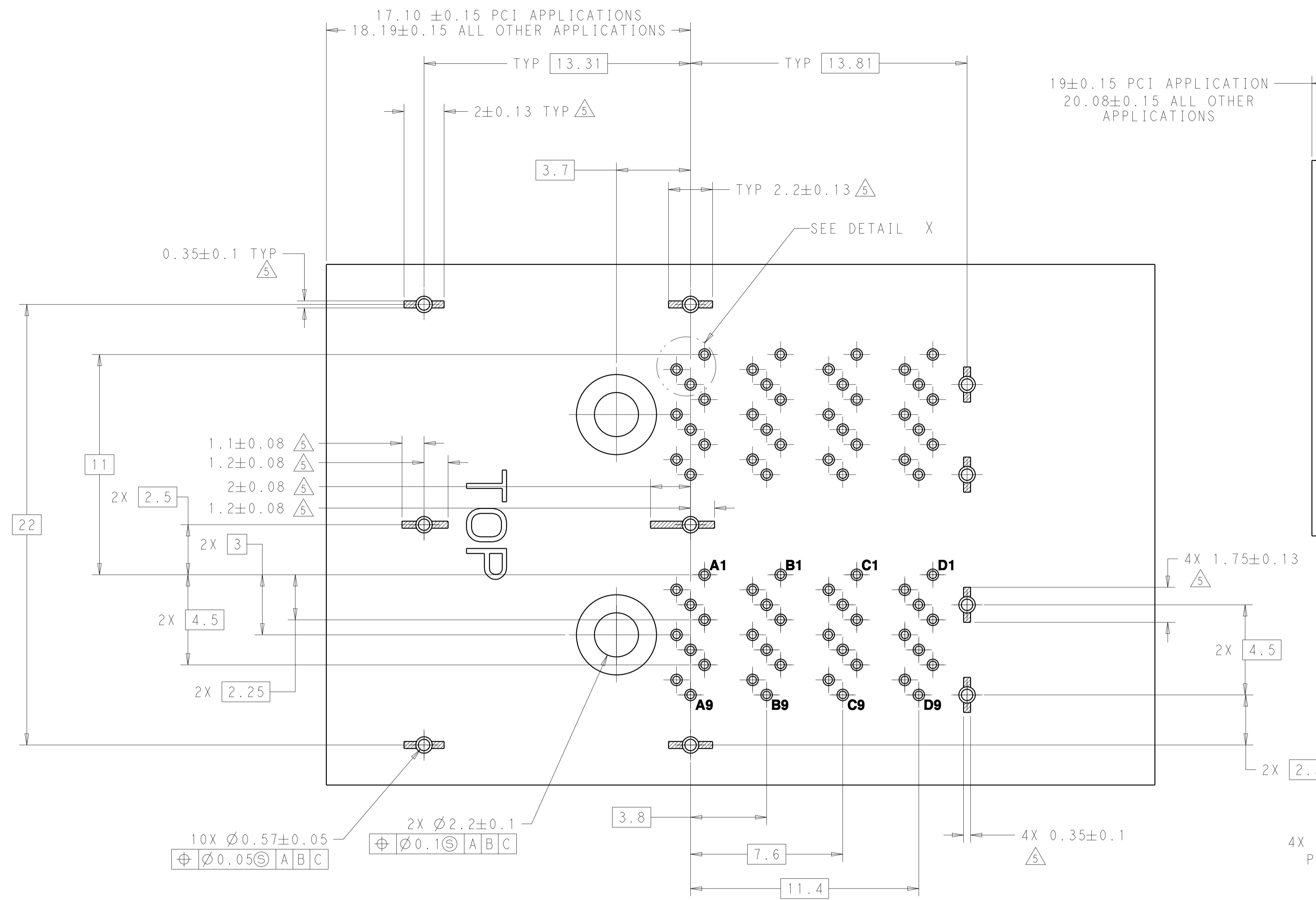
TAPE&REEL	2149966-5
TRAY	2149966-1
PACKAGE	PART NUMBER

THIS DRAWING IS A CONTROLLED DOCUMENT. DWN P. KERLIN 20SEP2010
 CHK J. SECHRIST 20SEP2010

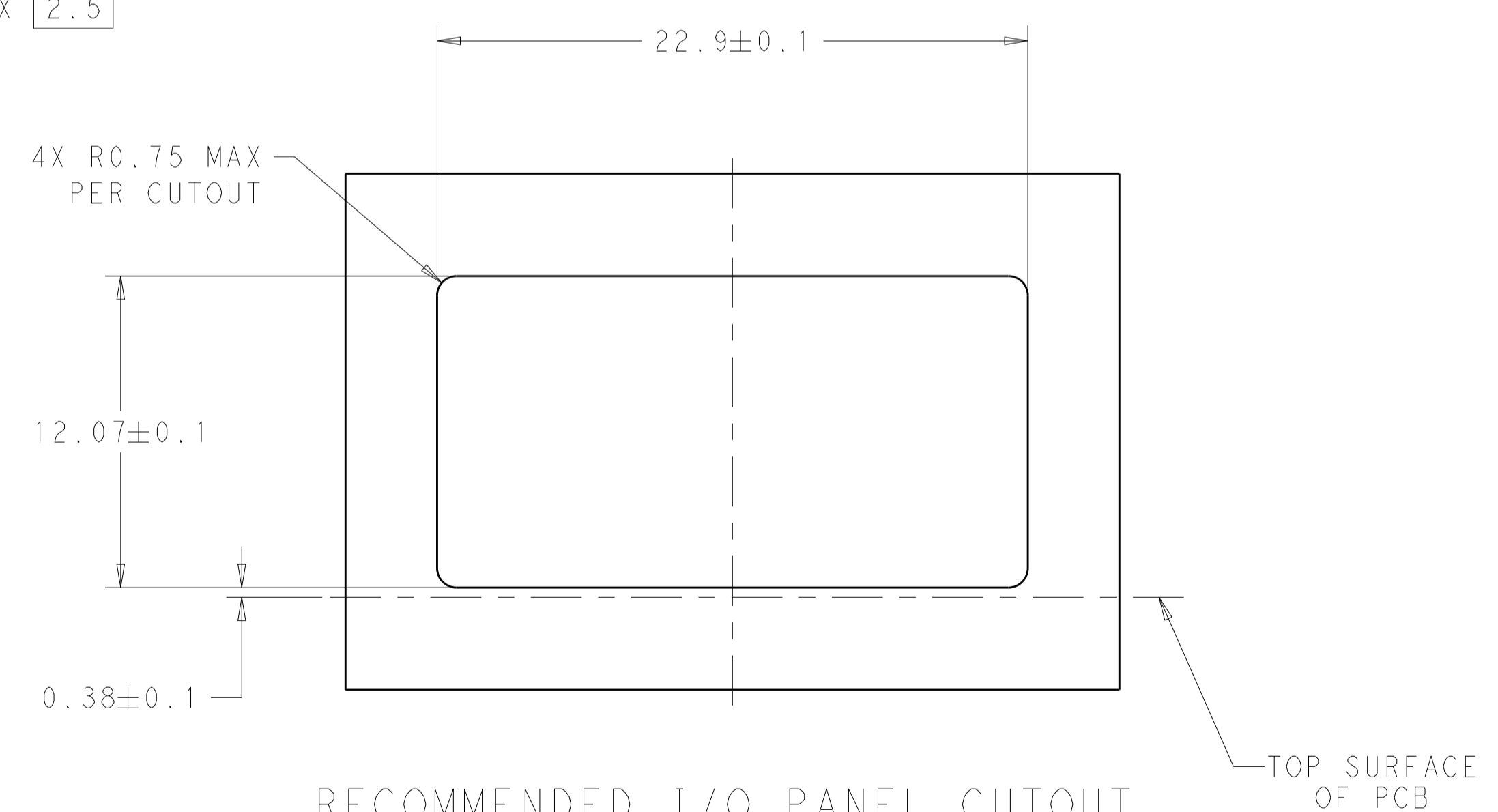
DIMENSIONS:	TOLERANCES UNLESS OTHERWISE SPECIFIED:	NAME
mm	0 PLC ±	RECEPTACLE ASSEMBLY, MINI-SAS HD, 2X
	1 PLC ±	SIZE CAGE CODE DRAWING NO
	2 PLC ±	A100779C=2149966
	3 PLC ±	RESTRICTED TO
	4 PLC ±	
	ANGLES ±	
MATERIAL	FINISH	WEIGHT

Customer Drawing SCALE 8:1 SHEET 1 OF 2 REV C

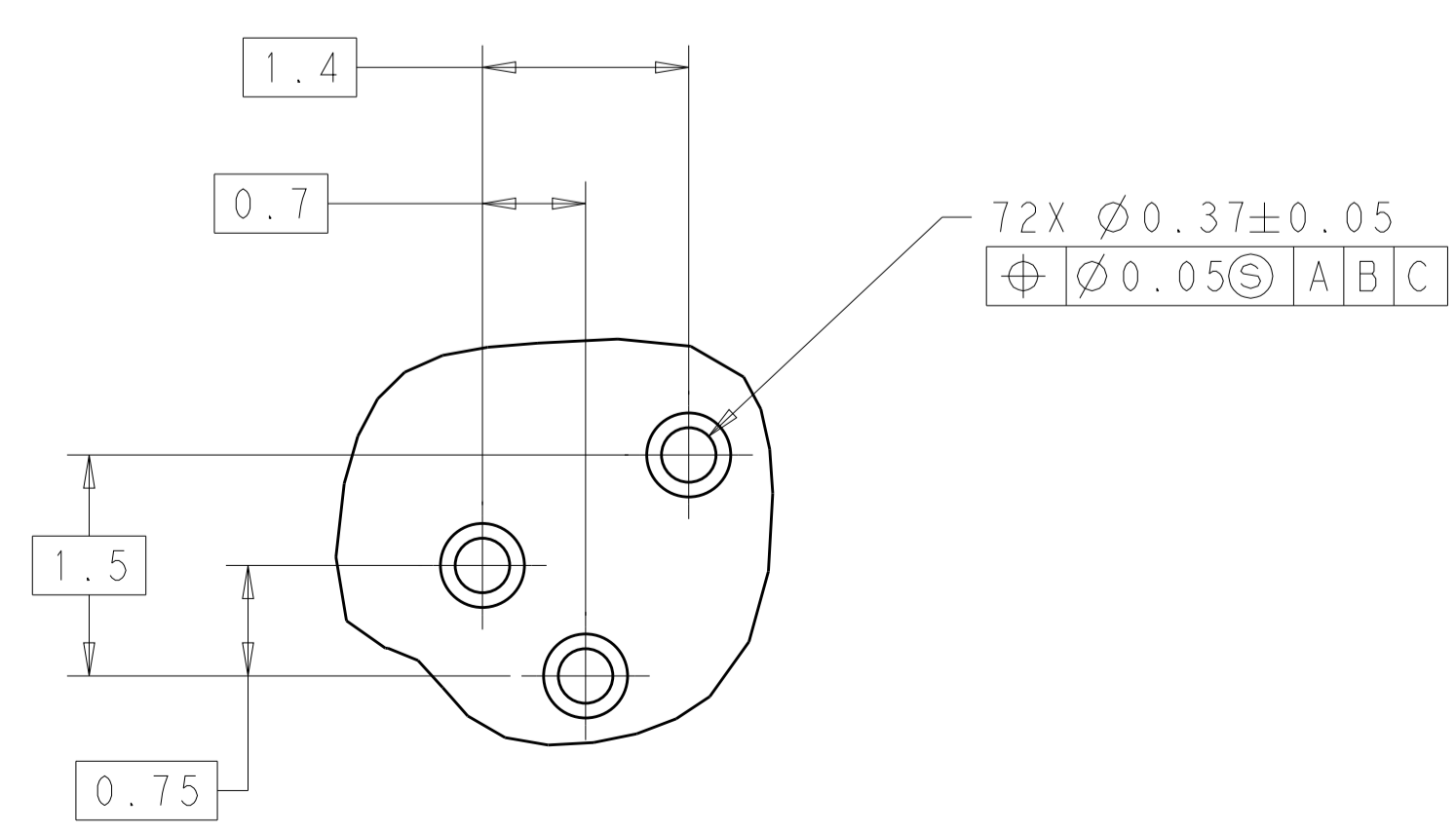
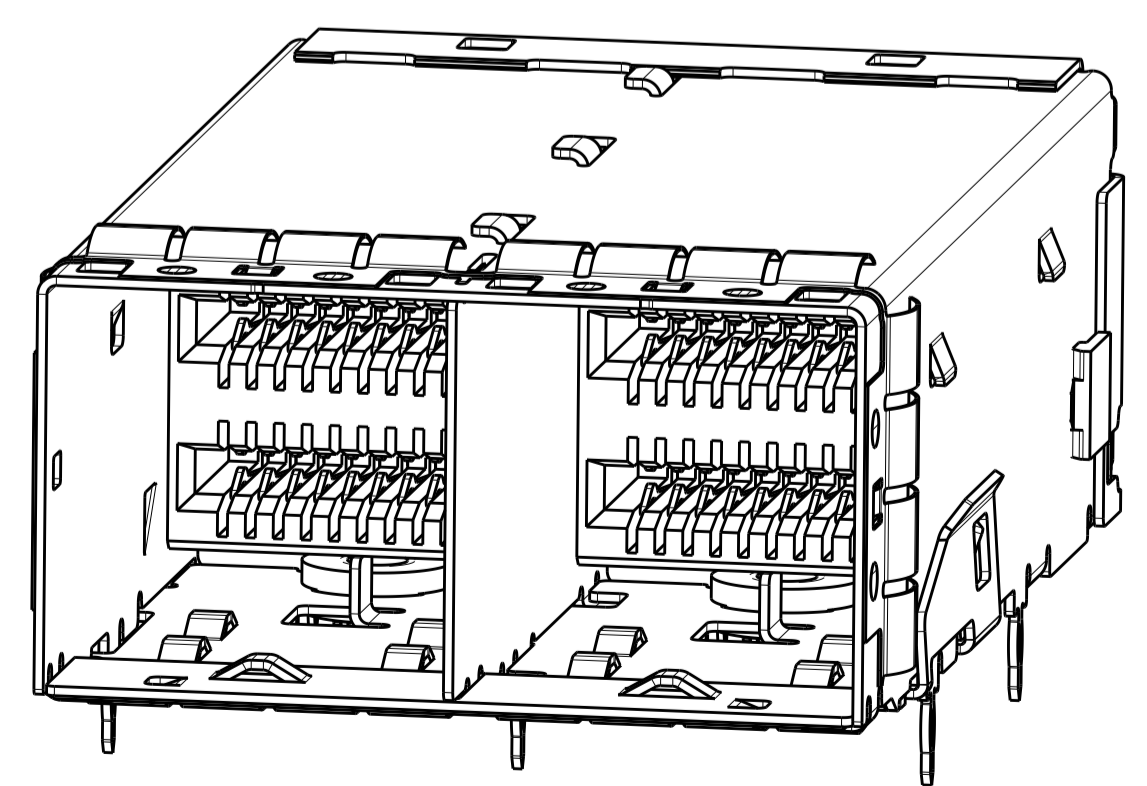
LOC	DIST	REVISIONS			
P	LTN	DESCRIPTION	DATE	OWN	APVD
-	-	SEE SHEET 1	-	-	-



PANEL/PCB ASSEMBLY
SCALE=5:1



RECOMMENDED I/O PANEL CUTOUT
SCALE=5:1



DETAIL X
SCALE 20:1

THIS DRAWING IS A CONTROLLED DOCUMENT.		OWN P. KERLIN	20SEP2010	TE Connectivity
DIMENSIONS:		CHK J. SECHRIST	20SEP2010	
mm	TOLERANCES UNLESS OTHERWISE SPECIFIED:	APVD	NAME	RECEPTACLE ASSEMBLY, MINI-SAS HD, 2X
	0 PLC ±	PRODUCT SPEC	SIZE	
	2 PLC ±	108-2462	CAGE CODE	
	3 PLC ±	APPLICATION SPEC	DRAWING NO	
	4 PLC ±	114-13316	RESTRICTED TO	
	ANGLES ±	WEIGHT	SCALE	
MATERIAL	FINISH	Customer Drawing	8:1	
		A100779	SHEET	
		©=2149966	2	
			OF	
			2	
			REV	
			C	

单击下面可查看定价，库存，交付和生命周期等信息

[>>TE Connectivity\(泰科\)](#)