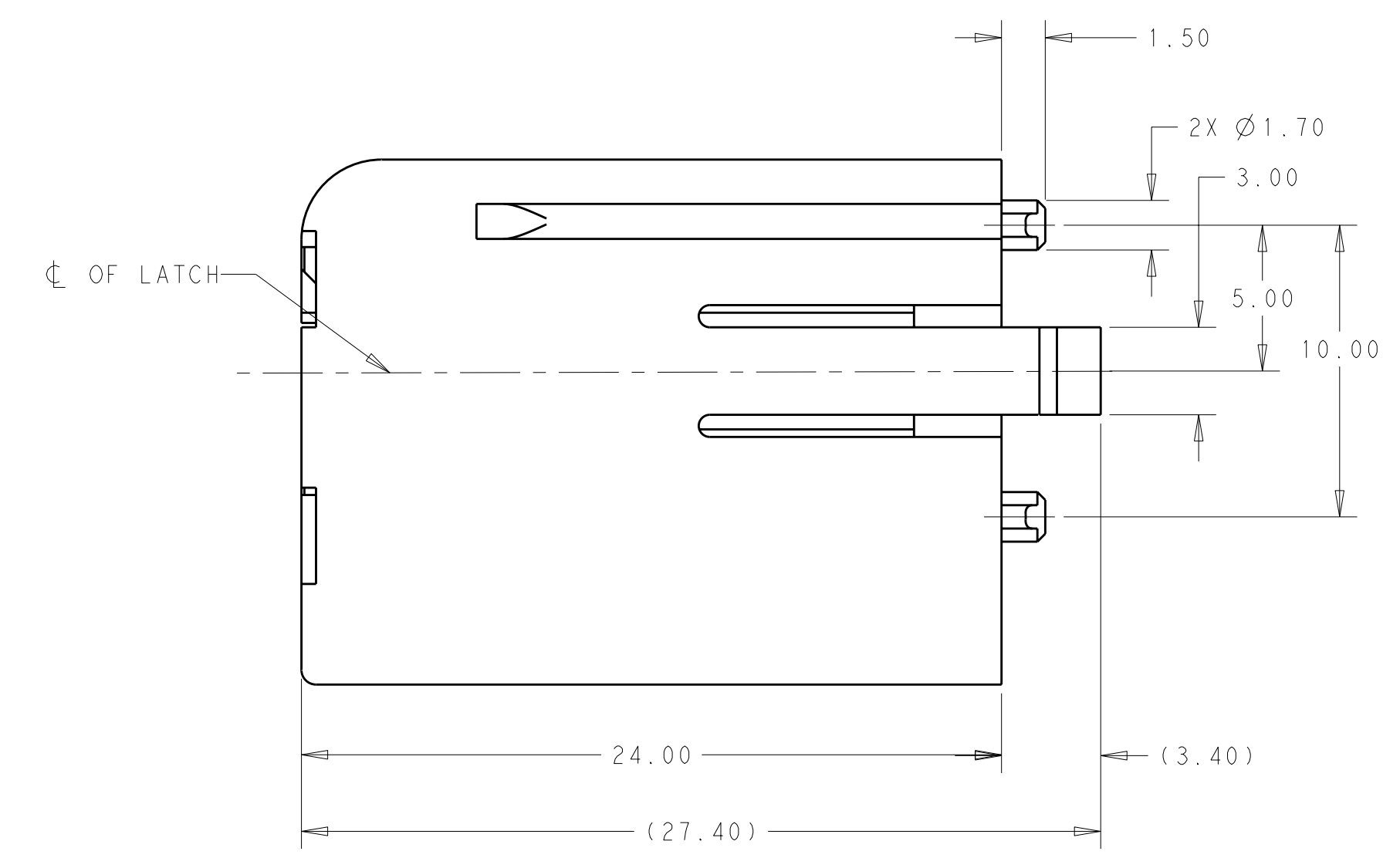
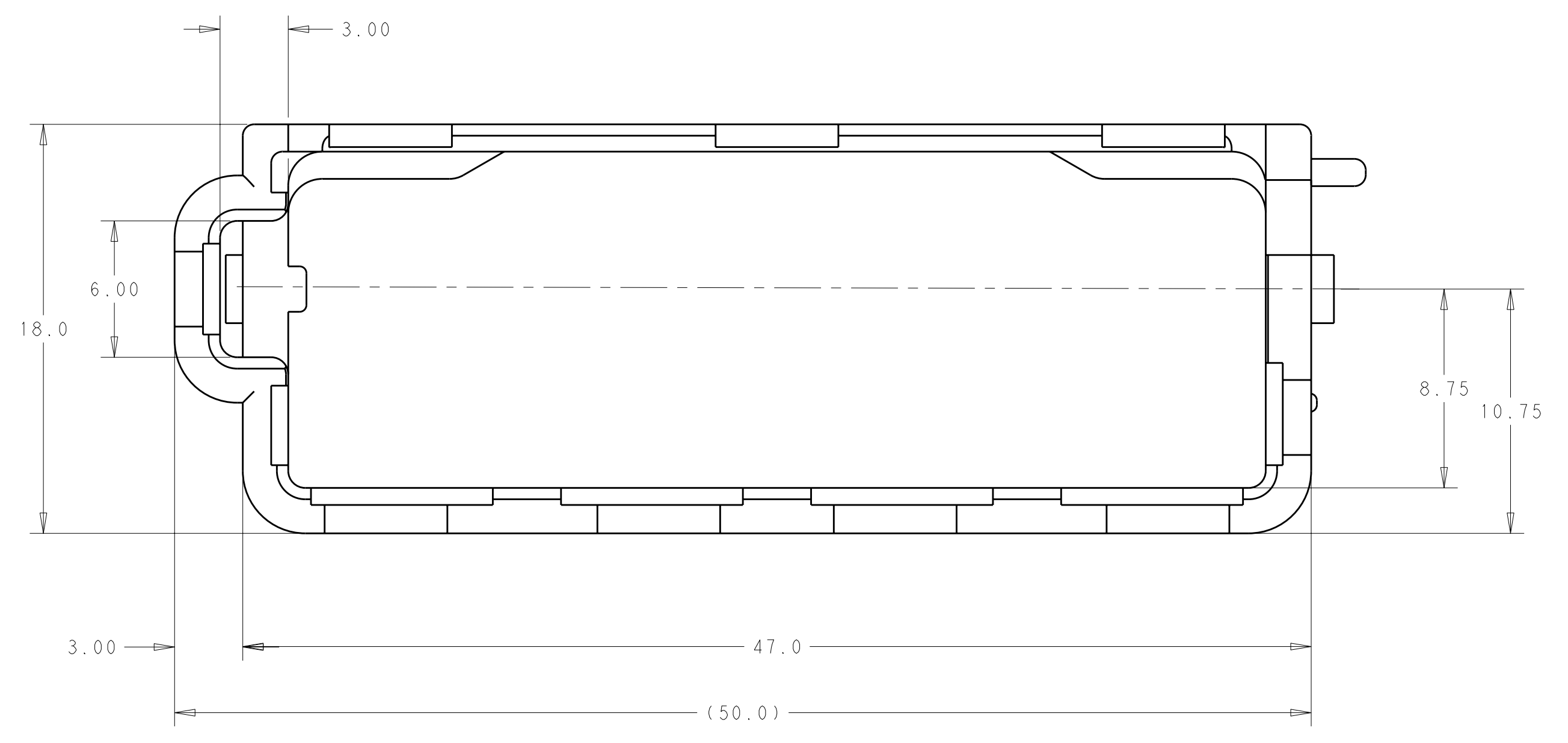
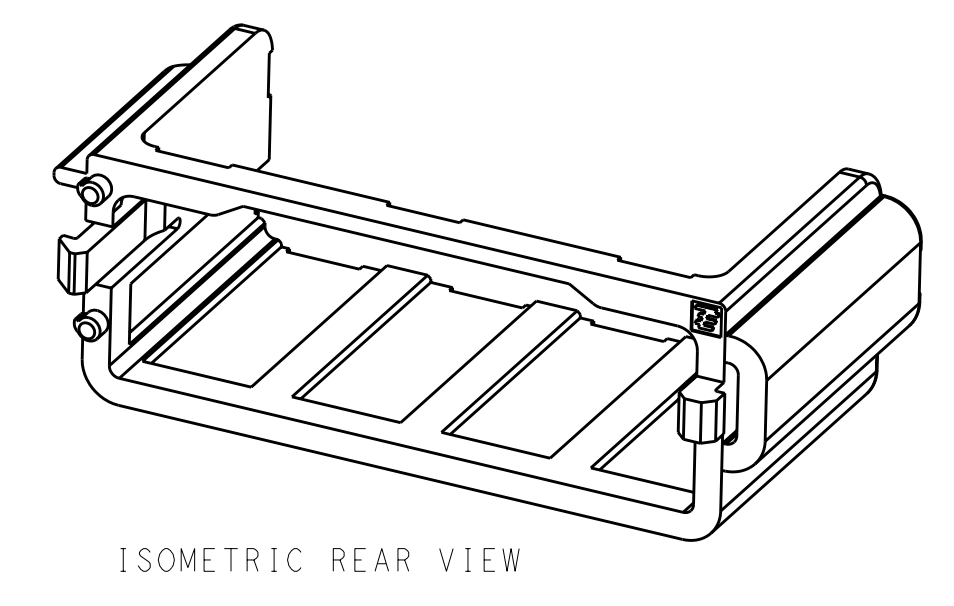
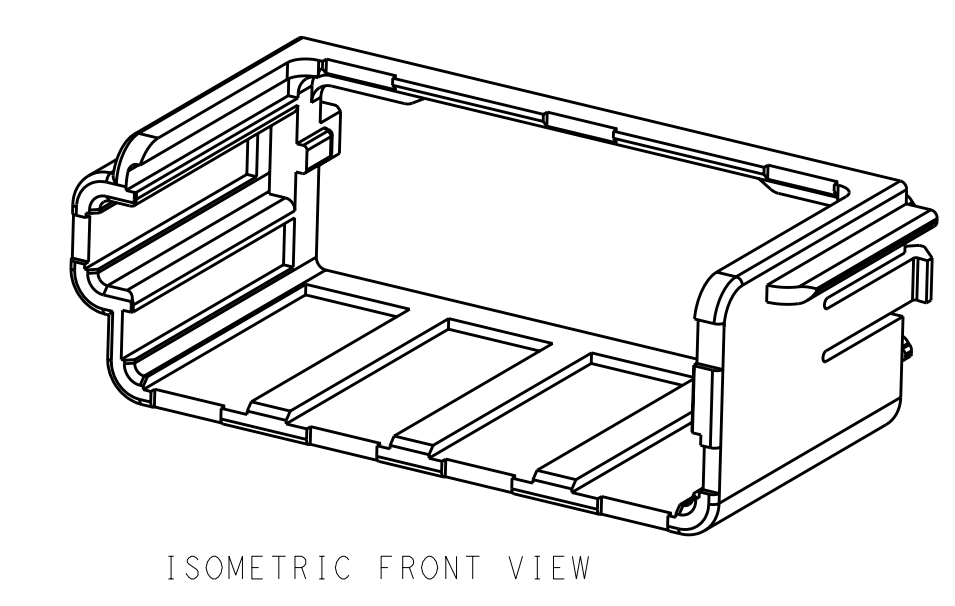
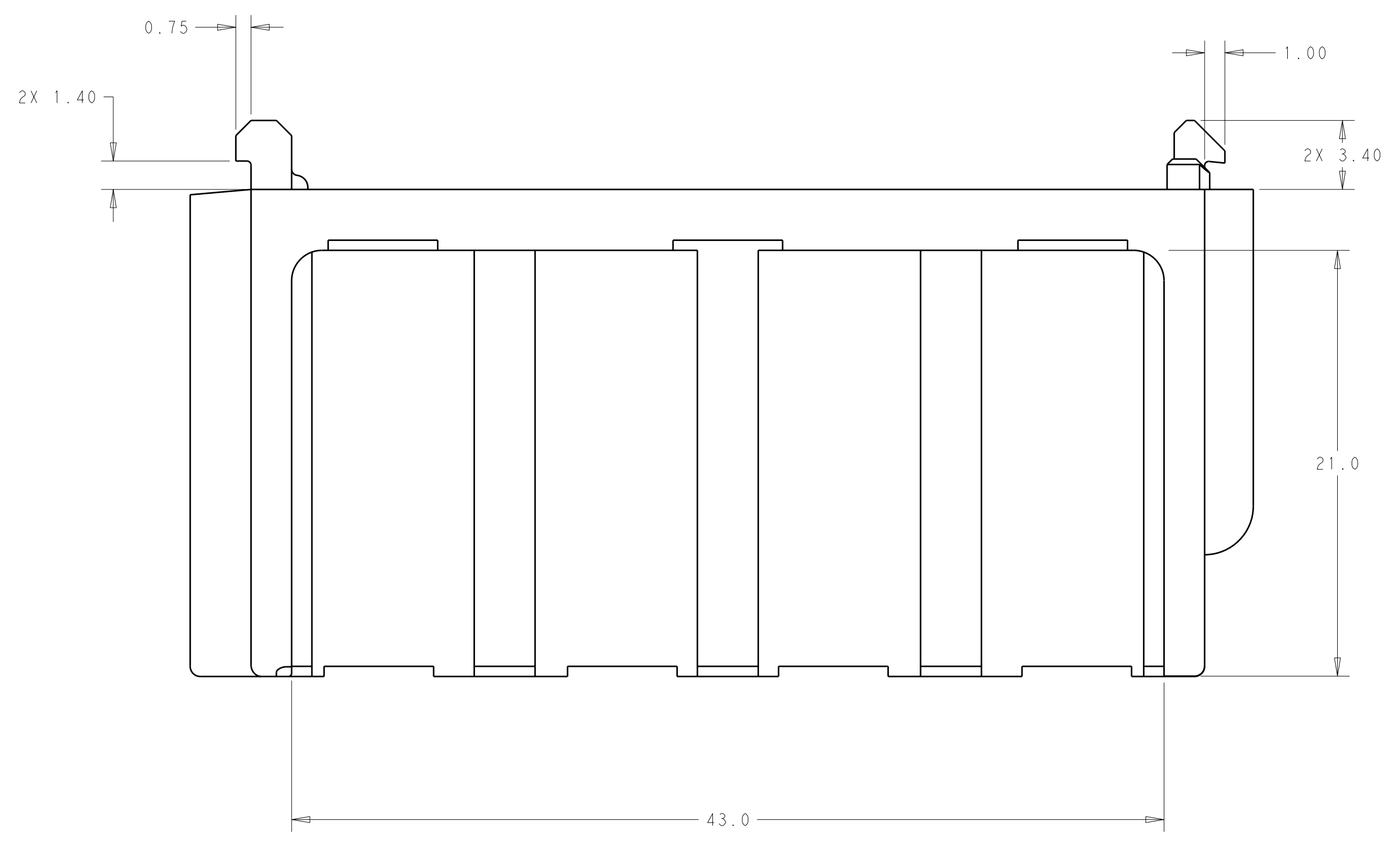


LOC	DIST	REVISIONS			
P	LTR	DESCRIPTION	DATE	DWN	APVD
GP	00				
	C1	REV PER ECO-10-014942	21JUL2010	RG	SM
	D	REV PER ECO-10-015726	05AUG2010	RG	SM

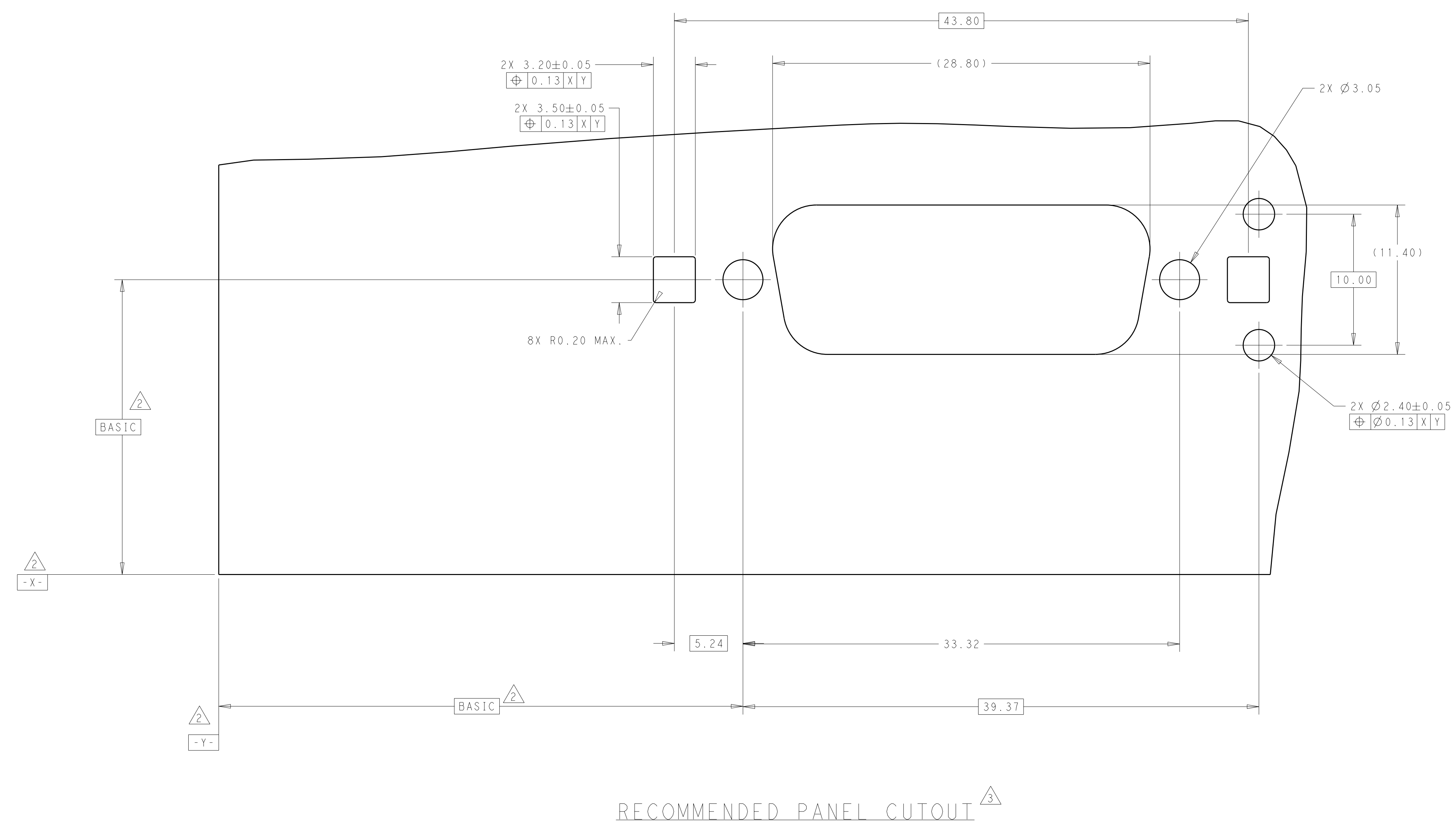


- MATERIAL: THERMOPLASTIC UL 94V-0 RATED, COLOR: BLACK
- DATUMS AND BASIC DIMENSIONS TO BE ESTABLISHED BY CUSTOMER.
- REFERENCE TO APPLICATION SPECIFICATION 114-40030 FOR AMPLIMITE SHELL SIZE 2 PANEL CUTOUT. SHROUD TO BE USED WITH A NOMINAL 1.20mm THICK PANEL.

2085418-1  
 PART NUMBER

DIMENSIONS: mm 		TOLERANCES UNLESS OTHERWISE SPECIFIED: 0 PLC ±.4 1 PLC ±0.4 2 PLC ±0.35 3 PLC ±.4 4 PLC ±.4 ANGLES ±.2 FINISH		DWN G. PETERS 23DEC2009 CHK L. COSSETT 03MAR2010 APVD F. HOWARD 03MAR2010		Tyco Electronics Harrisburg, PA 17105-3608	
MATERIAL - FINISH -		PRODUCT SPEC - APPLICATION SPEC - WEIGHT -		NAME KEYED CABLE SHROUD PANEL MOUNT		SIZE CAGE CODE DRAWING NO A100779C=2085418	
CUSTOMER DRAWING		SCALE 1:1		SHEET 1 OF 2		REV D	

LOC	DIST	REVISIONS			
P	LTB	DESCRIPTION	DATE	DWN	APVD
-	-	SEE SHEET 1	-	-	-



RECOMMENDED PANEL CUTOUT  $\triangle$

<small>THE DIMENSIONS OF THIS DRAWING ARE UNLESS OTHERWISE SPECIFIED IN MILLIMETERS. THIS IS SUBJECT TO CHANGE WITHOUT NOTICE AND WITHOUT LIABILITY. DIMENSIONS SHOULD BE CONTACTED FOR THE LATEST REVISION.</small>		DWN: G. PETERS 23DEC2009 CHK: L. COSSETTI 03MAR2010 APVD: F. HOWARD 03MAR2010	Tyco Electronics Harrisburg, PA 17105-3608
DIMENSIONS: mm 	TOLERANCES UNLESS OTHERWISE SPECIFIED: 0 PLC ± 1 PLC ±0.4 2 PLC ±0.35 3 PLC ± 4 PLC ± ANGLES ± FINISH #2	NAME: KEYPED CABLE SHROUD PANEL MOUNT PRODUCT SPEC: APPLICATION SPEC: WEIGHT: CUSTOMER DRAWING	SIZE: A100779 CAGE CODE: C=2085418 SCALE: 1:1 SHEET: 2 OF 2 REV: D

单击下面可查看定价，库存，交付和生命周期等信息

[>>TE Connectivity\(泰科\)](#)