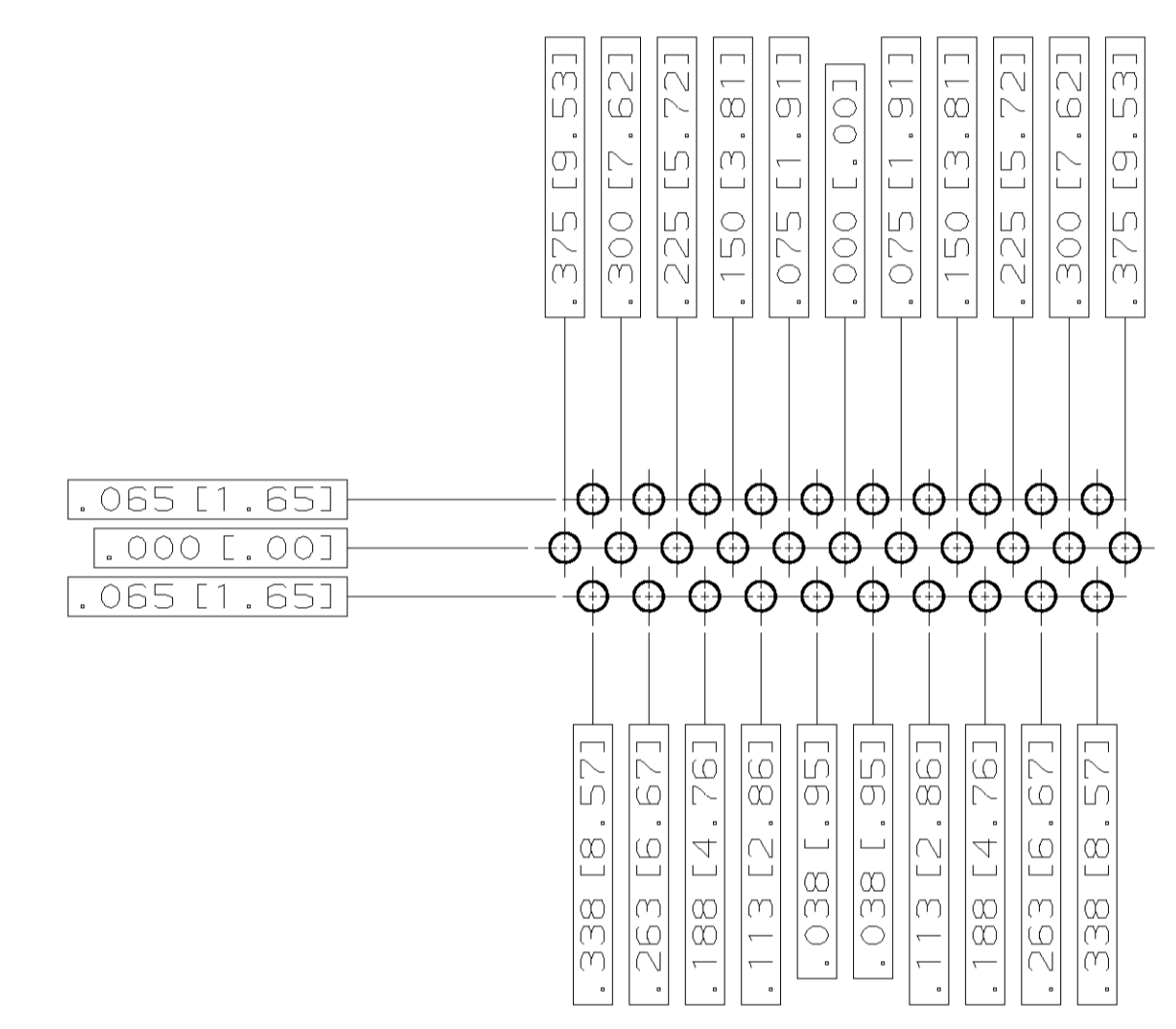
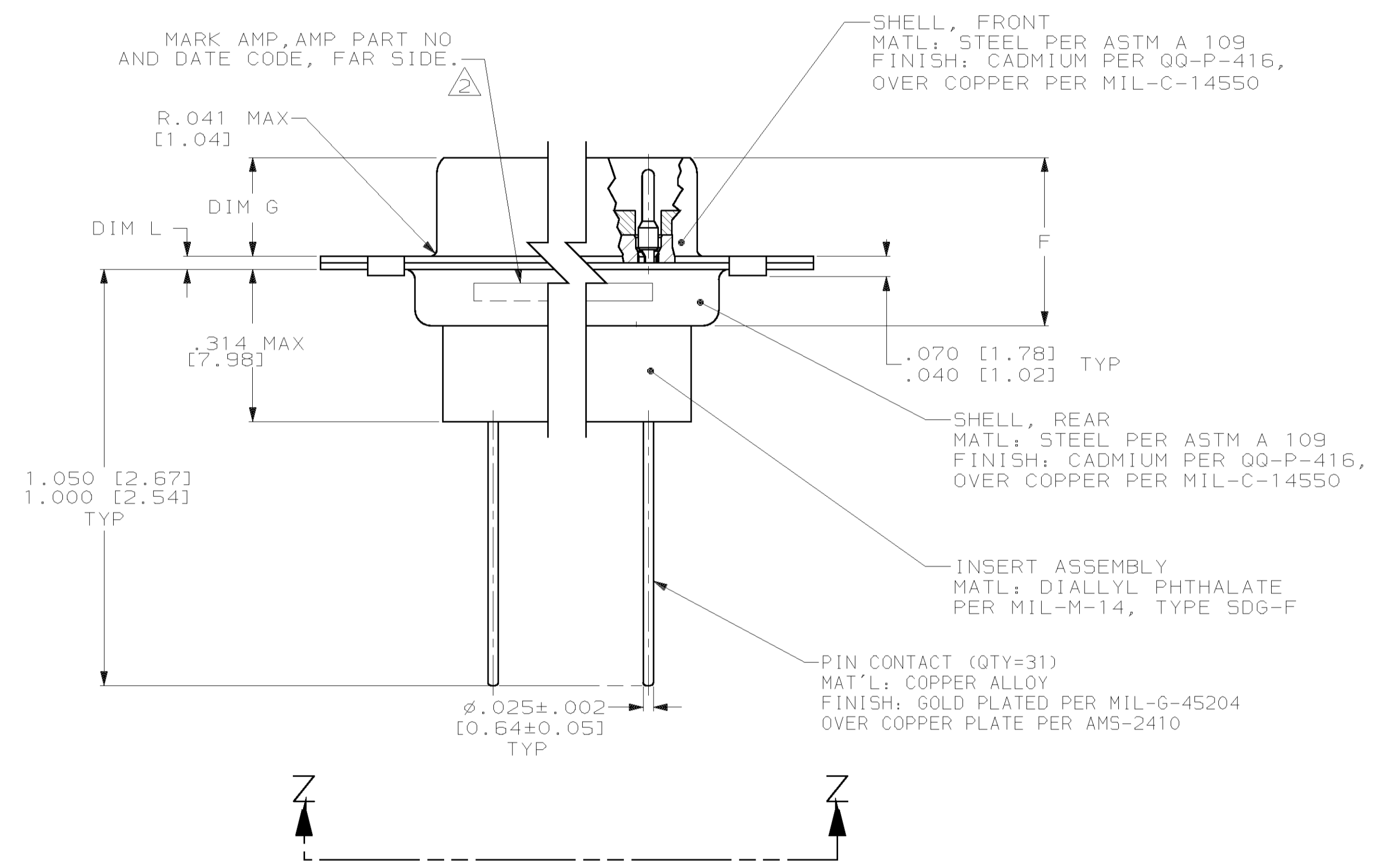
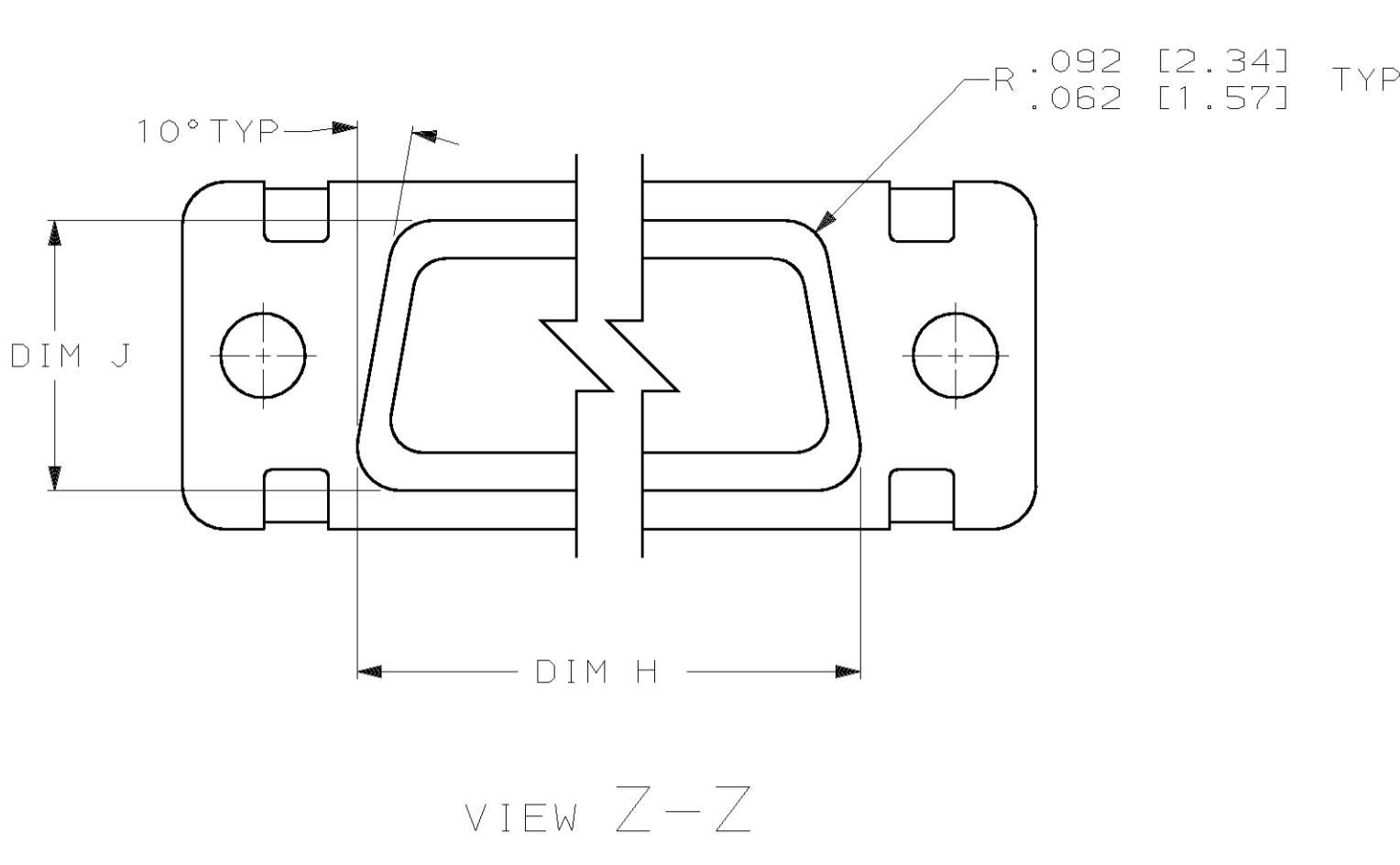
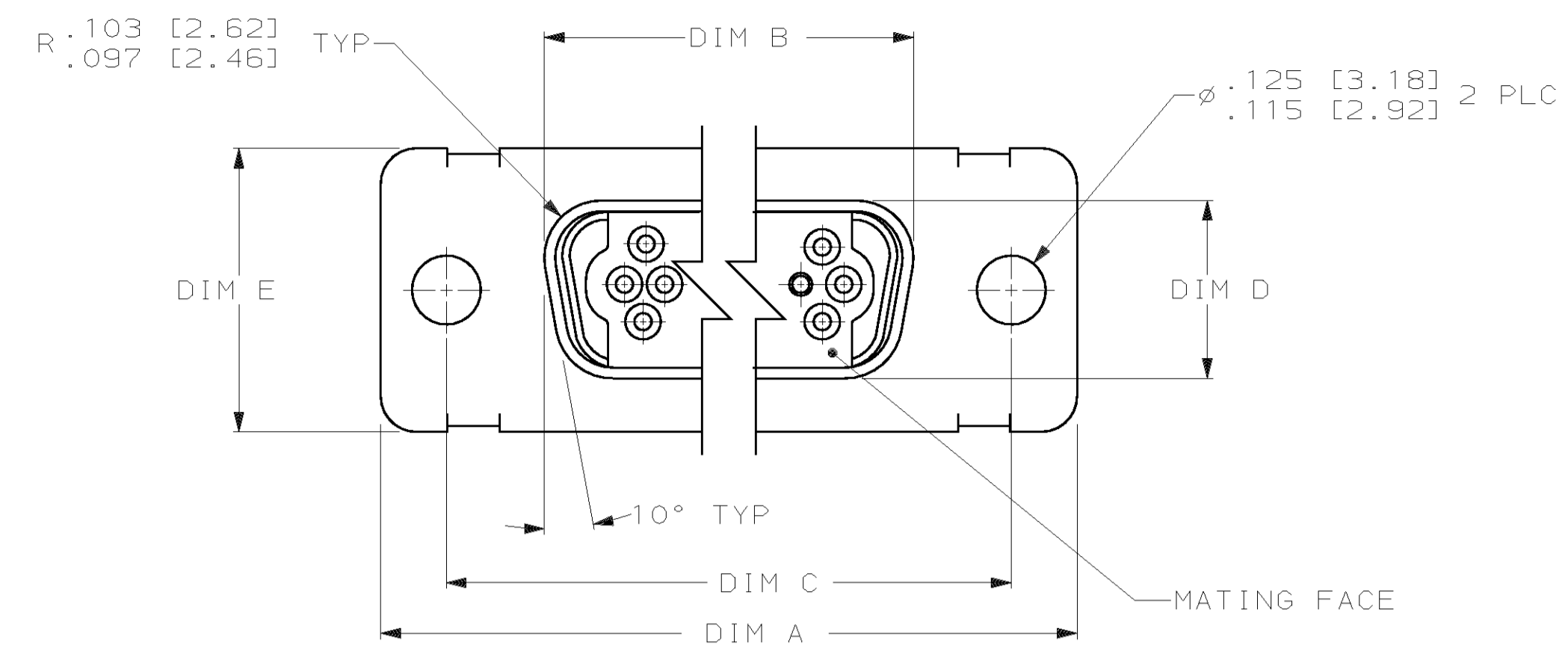


REVOLUTIONS		DATE	OWN	APPRO
DF	FO			
A	REV PER	0630-0415-01	10-01	CT JM



RECOMMENDED P.C. BOARD LAYOUT

- DIMENSIONS AND TOLERANCES PER ANSI Y14.5M-1982.
- MARK WITH .047 [1.19]-.062 [1.57] HIGH CHARACTERS. FAR SIDE REFERS TO THE WIDE SIDE OF THE KEYSTONE. NEAR SIDE REFERS TO THE NARROW SIDE OF THE KEYSTONE. SIZE 1 AND 2 SHALL BE MARKED AS FOLLOWS:  
 A. "AMP" AND DATE CODE ON REAR SHELL, NEAR SIDE.  
 B. AMP PART NUMBER ON REAR SHELL, FAR SIDE.
- .040 [1.02] DIAMETER HOLE RECOMMENDED FOR P.C. BOARD.
- REPLACEMENT CONTACT PART NO. 1484227-1.

.040 [1.02]	.432 [10.97]	1.093 [27.76]	.248 [6.30]	.439 [11.15]	.509 [12.93]	.316 [8.03]	1.317 [33.45]	.976 [24.79]	1.556 [39.52]	31	2	1484349-1
.020 [0.51]	.412 [10.46]	1.073 [27.25]	.238 [6.05]	.419 [10.64]	.479 [12.17]	.306 [7.77]	1.307 [33.20]	.966 [24.54]	1.526 [38.76]	NO OF POS	SHELL SIZE	PART NUMBER
L	J	H	G	F	E	D	C	B	A			

THIS DRAWING IS A CONTROLLED DOCUMENT.

DIMENSIONS: INCHES (mm)	TOLERANCES UNLESS OTHERWISE SPECIFIED:	DWN: C.C. THOMAS 7-26-01	AMP TYCO Electronics Corporation Harrisburg, PA 17105-3608
0 PLC ±-	1 PLC ±-	CHK: J. MARKEY 7-26-01	PLUG ASSY, DOUBLE DENSITY, SIZE 2, AMPLIMITE WITH CONTACTS
2 PLC ±-	3 PLC ±-	APPRO: J. MARKEY 7-26-01	
4 PLC ±-	ANGLES ±1°	PRODUCT SPEC: -	APPLICATION SPEC: -
MATERIAL: SEE CALLOUTS	FINISH: SEE CALLOUTS	WEIGHT: -	SIZE: A1 00779
CUSTOMER DRAWING		SCALE: 4:1	SHEET 1 OF 1 REV A

单击下面可查看定价，库存，交付和生命周期等信息

[>>TE Connectivity\(泰科\)](#)