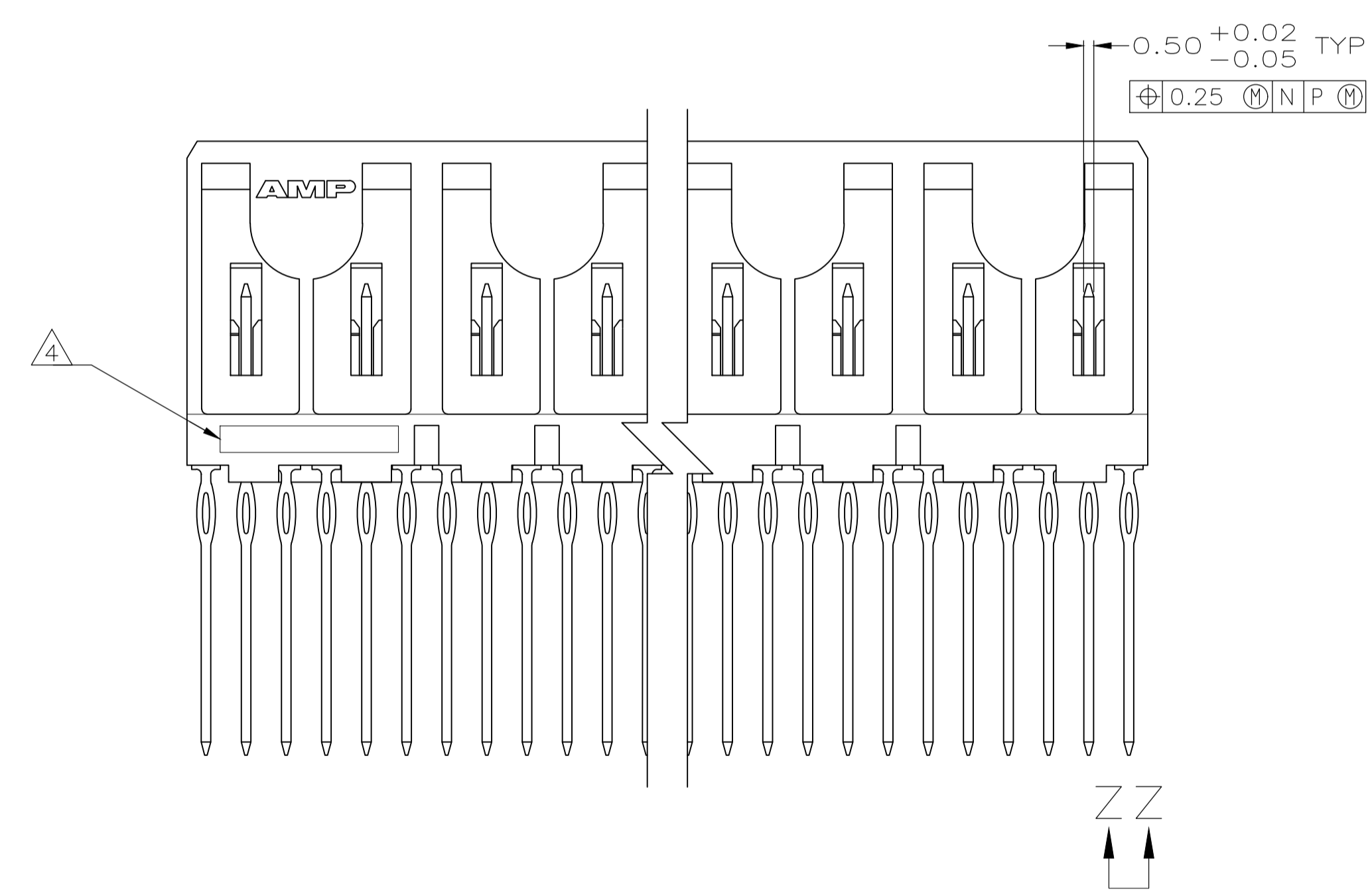
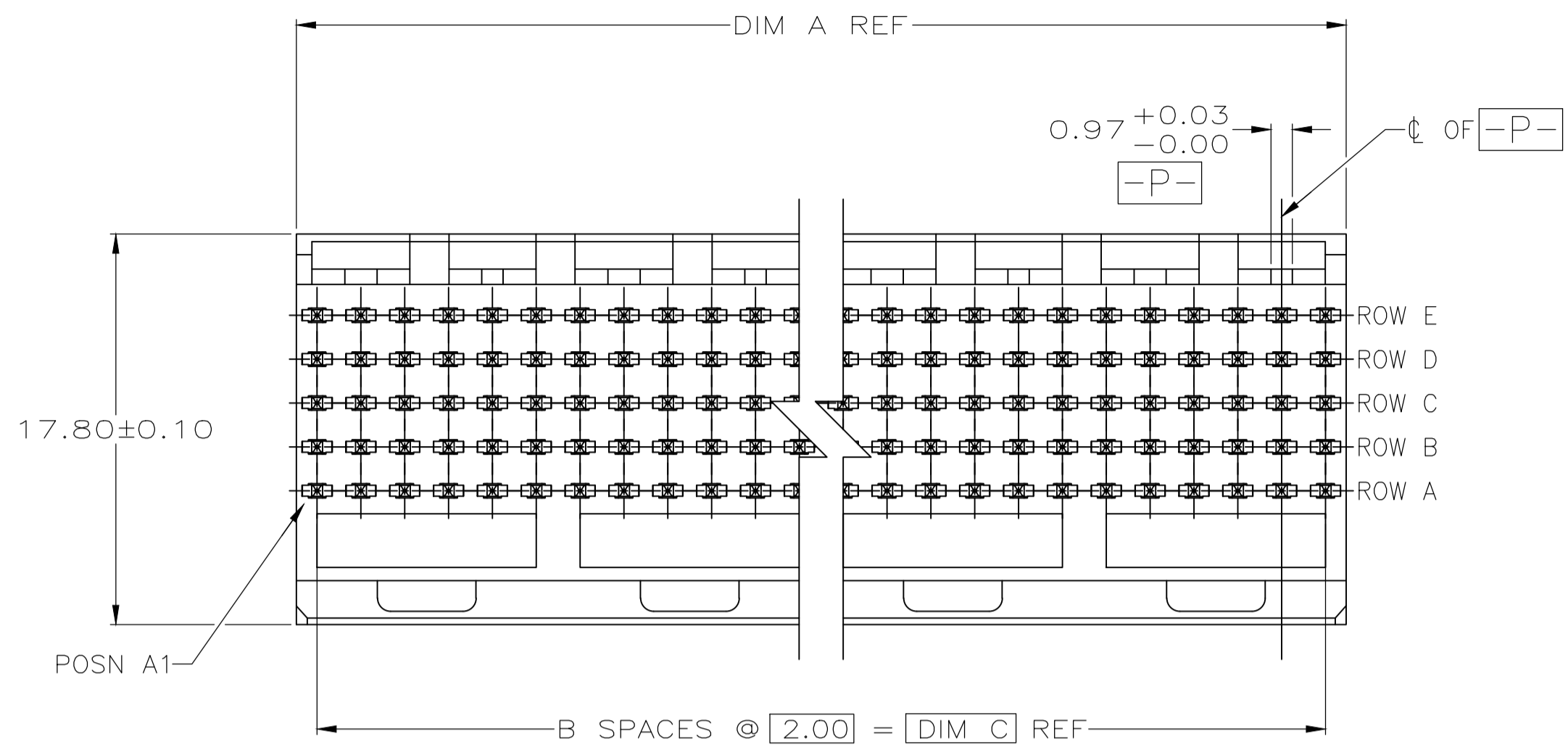
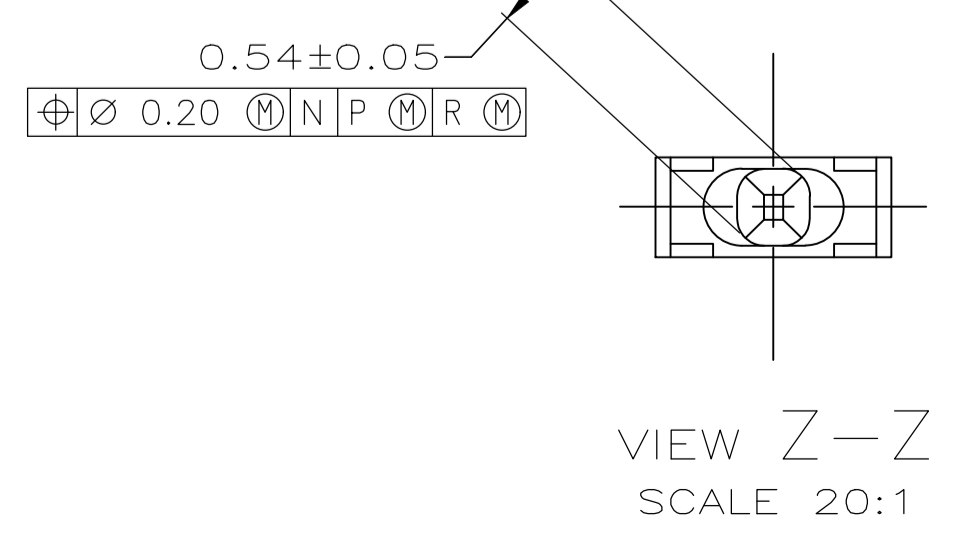
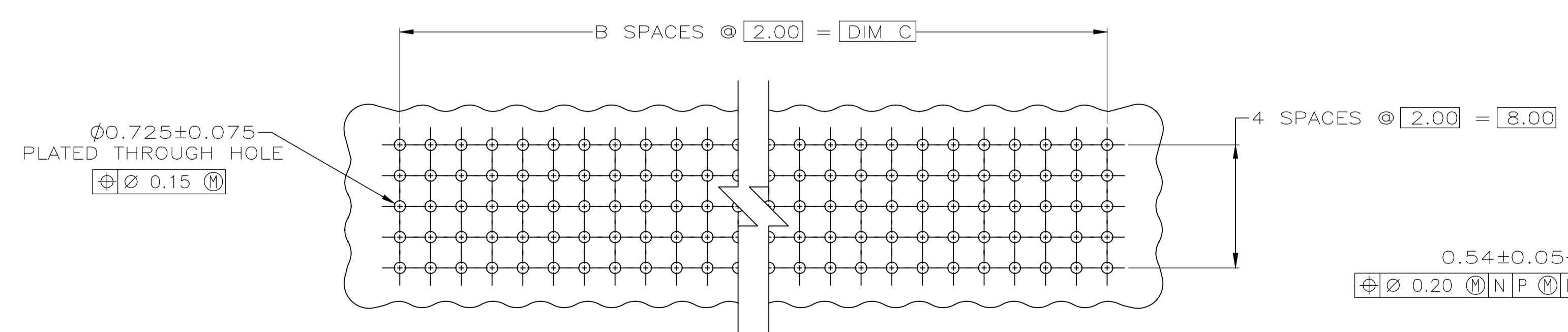
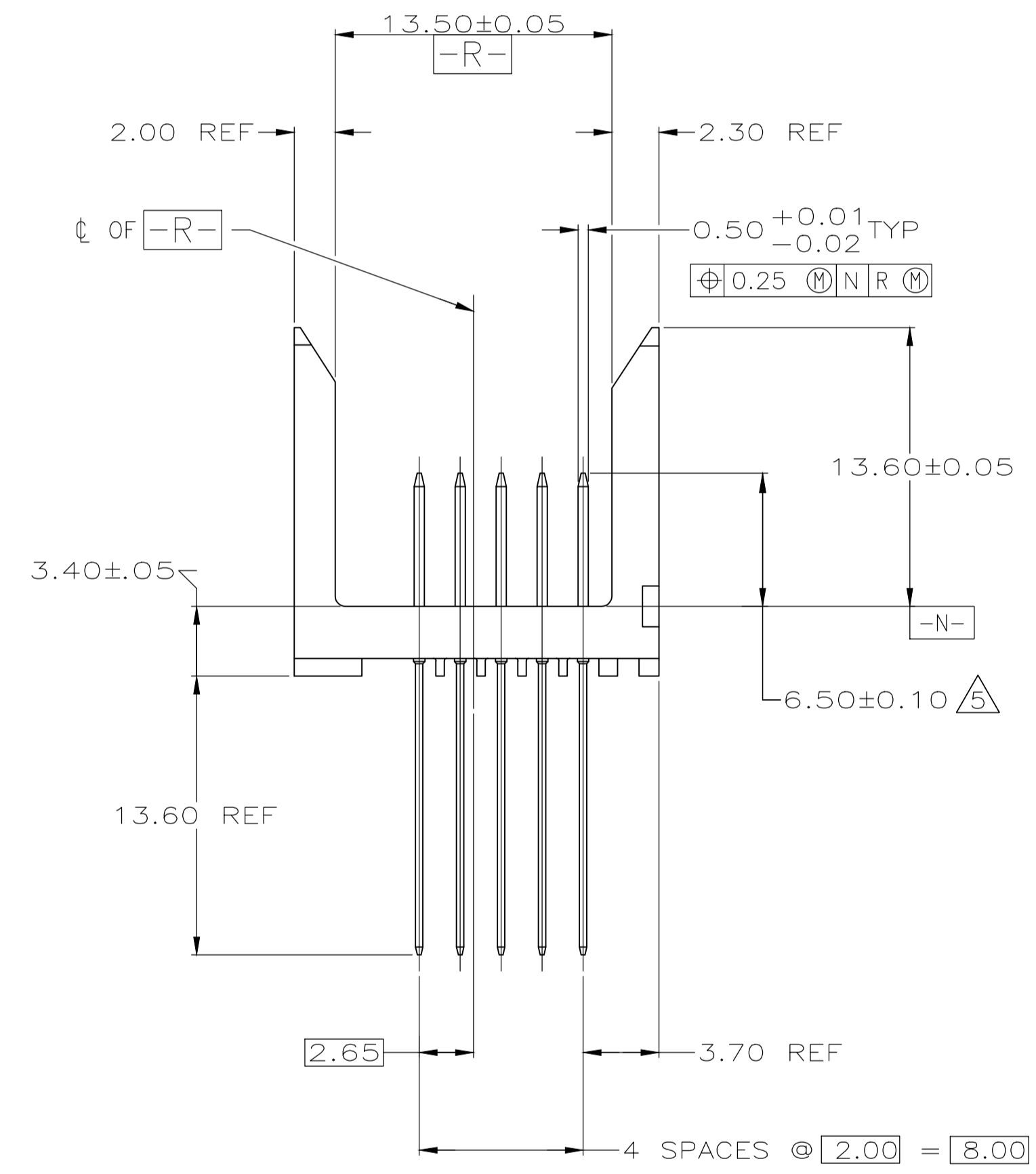


REVISIONS					
P	LTR	DESCRIPTION	DATE	DMN	APVD
B		REVISED PER ECO-20-013368	23SEP2020	RZ	HL



- △ HOUSING MATERIAL: LIQUID CRYSTAL POLYMER. COLOR: NATURAL.
- △ CONTACT MATERIAL: PHOSPHOR BRONZE.
- △ CONTACT FINISH:(B)
 UNDERPLATE (ENTIRE CONTACT):
 0.00127 MIN NICKEL PER SAE-AMS-QQ-N-290
 ON MATING SURFACES:
 CONFORMS TO ALL TESTING SPECIFIED FOR TELCORDIA
 UNCONTROLLED ENVIRONMENT.
 ON LEADS:
 0.0006 MIN MATTE TIN PER ASTM B 545 OVER UNDERPLATE.
 LUBRICATION (MIN MATING SURFACES):
 SURFACE CONDITIONER AFTER PLATING.
- △ PART MARKING LOCATED APPROXIMATELY AS SHOWN.
- △ DIMENSION APPLIES WHEN SEATED ON PRINTED CIRCUIT BOARD.



	DIM C	DIM B	DIM A	NUMBER OF SIGNAL POSITIONS	PART NUMBER
	94.00	47	95.88	240	5223055-8
OBSOLETE	46.00	23	47.88	120	5223055-4
	22.00	11	23.88	60	5223055-2
OBSOLETE	10.00	5	11.88	30	5223055-1

THIS DRAWING IS A CONTROLLED DOCUMENT.

DIMENSIONS:	TOLERANCES UNLESS OTHERWISE SPECIFIED:	DIN B MCMMASTER 24NOV04	24NOV04
mm	0 PLC ± -	CIK R WERTZ 24NOV04	NAME
	1 PLC ± -	APVD R WERTZ 24NOV04	PRODUCT SPEC
	2 PLC ± -	APPLICATION SPEC	
	3 PLC ± -		
	4 PLC ± -		
	ANGLES ± -		
MATERIAL	FINISH	WEIGHT 0.000000	SIZE CAGE CODE DRAWING NO
△ 1	△ 2	A1 00779 C=5223055	RESTRICTED TO
△ 3		CUSTOMER DRAWING	SCALE 4:1 SHEET 1 OF 1 REV B

单击下面可查看定价，库存，交付和生命周期等信息

[>>TE Connectivity\(泰科\)](#)