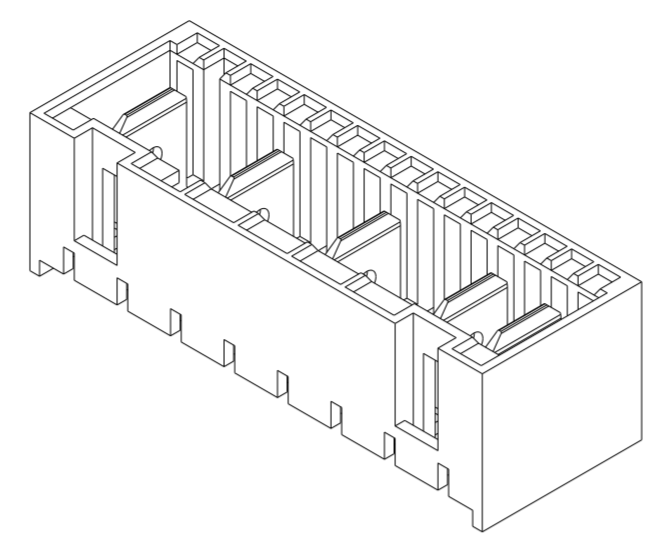
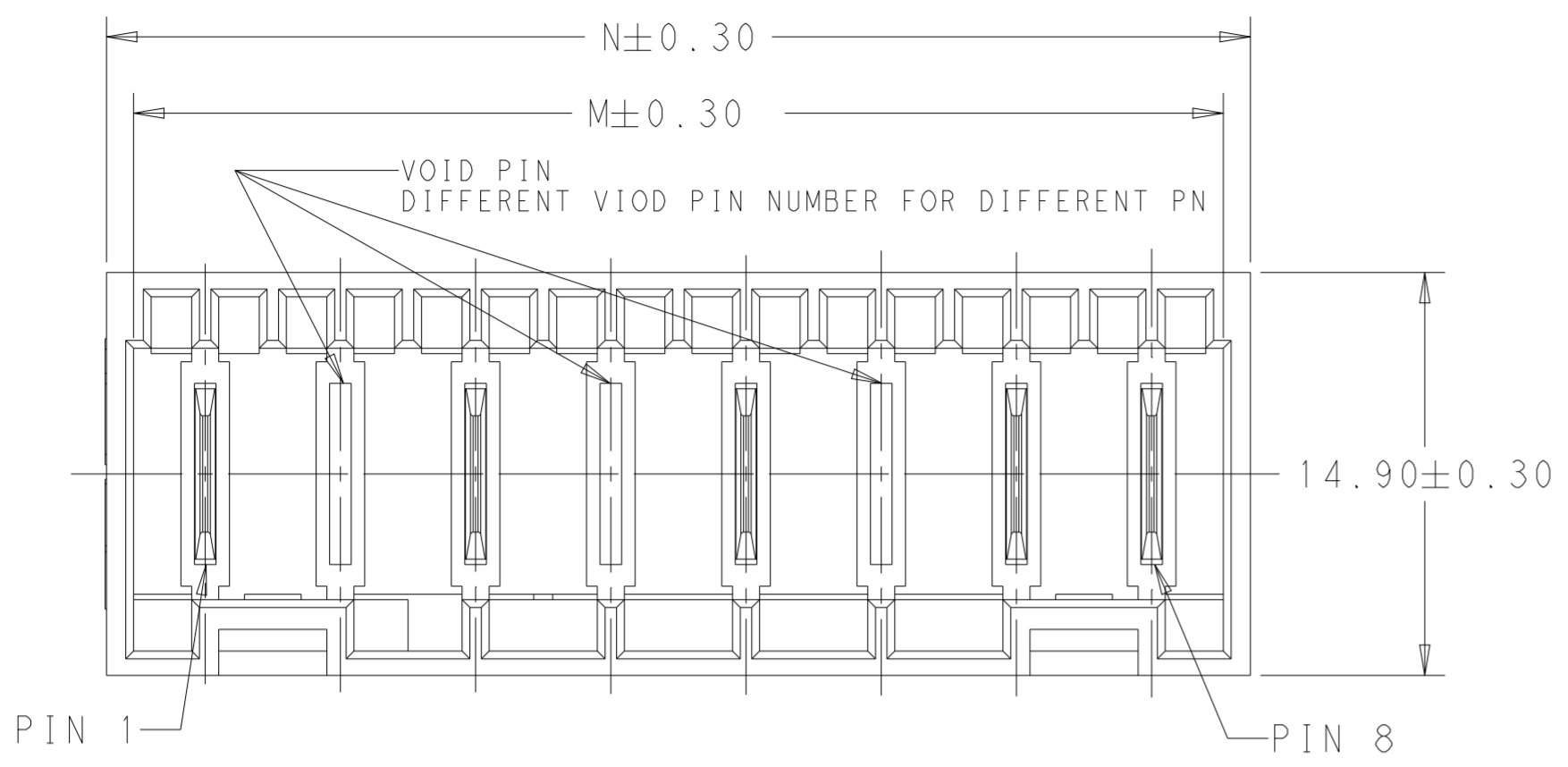
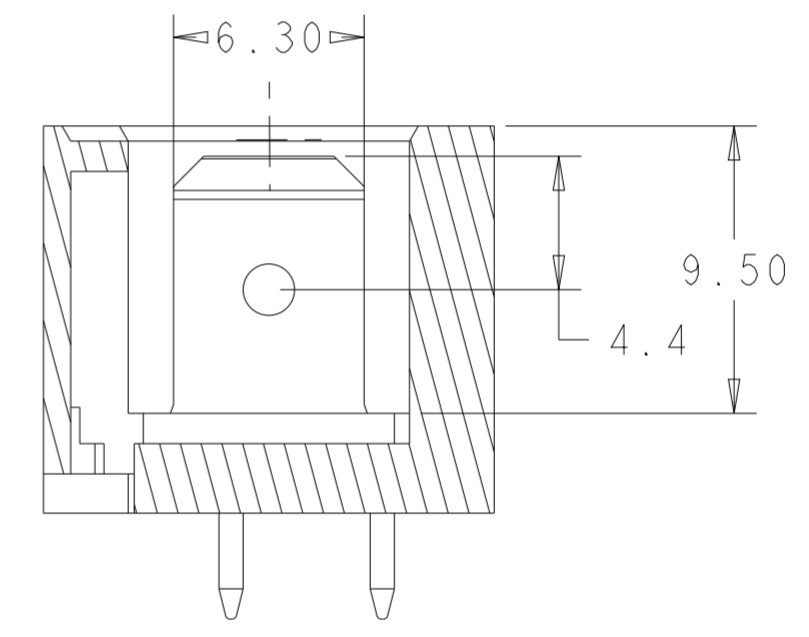
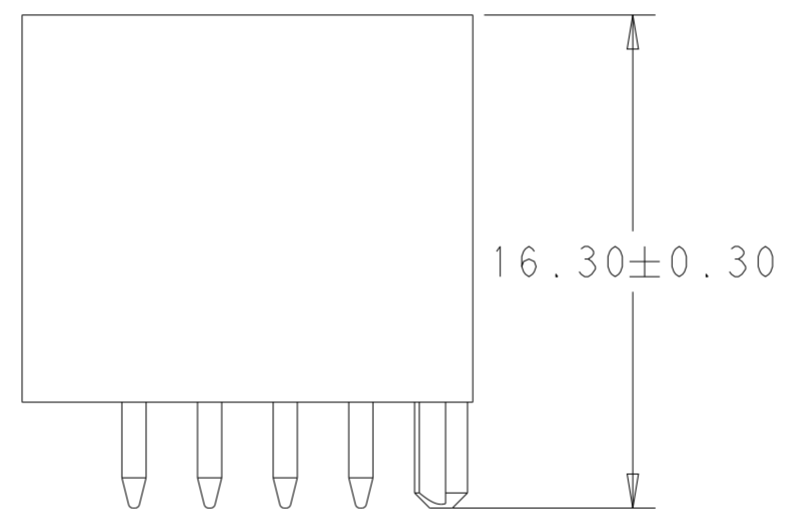
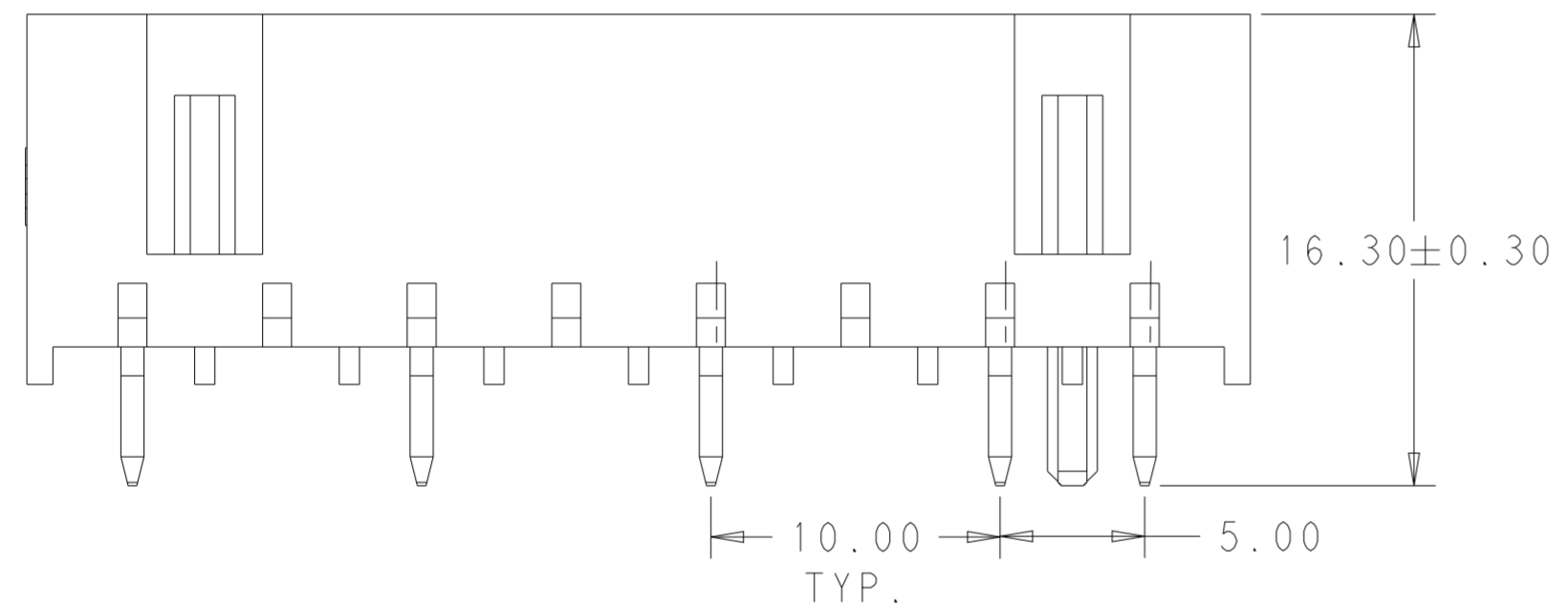


THIS DRAWING IS UNPUBLISHED. RELEASED FOR PUBLICATION 20
 © COPYRIGHT 20 BY - ALL RIGHT REVERSED ALL RIGHTS RESERVED.

LOC		DIST		REVISIONS			
P	LTR	DESCRIPTION		DATE	DWN	APVD	
B2		ECR-21-108676		03AUG2021	LZ	FL	
C		ECR-21-110755		02SEP2021	KD	FL	
C1		ECR-21-118862		10NOV2021	SM	FL	

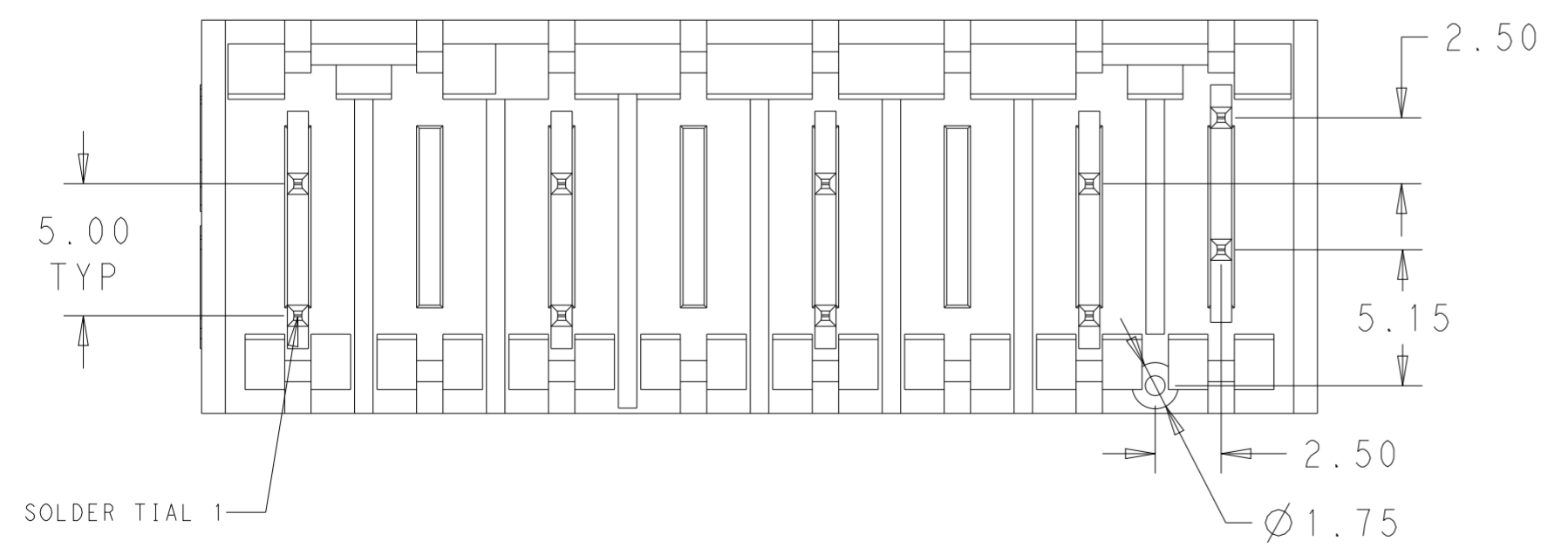


- HOUSING HAS RAST 5 COMPLIANT KEYING LATCHING, AND POLARIZATION, TAB IS 6.30 x 0.8mm ACCORDING TO DIN 46224
- MATERIAL: HOUSING NYLON, UL94 V0, 750 °C GWT NO FLAME
- FINISH: CONTACTS, TIN PLATING OVERALL , NICKEL UNDER-PLATING
- PACKING: LOOSE PIECE OR TUBE. THE PART NUMBER IN THIS DRAWING ARE WITH LOOSE PIECE PACKING. PLEASE CONTACT TE SALES REPRESENTATIVES FOR TUBE PACKING REQUIREMENT.
- PRELIMINARY, NOT FOR PRODUCTION.
- MATERIAL: HOUSING PA66,UL94 V0 PRODUCT COMPLY WITH GLOW WIRE REQUIREMENTS FOR PARTS OF NON-METALLIC MATERIAL SUPPORTING A CURRENT-CARRYING CONNECTION DETAILED IN IEC 60335-1, SECTION 30 (GWT).
- FINISH:CONTACT, SILVER PLATING OVERALL, NICKEL UNDER-PLATING.
- SPECIAL VERSION: SHORT PEG DESIGN, DETAIL IN SHEET 3
- PART NUMBER WITH TUBE PACKAGING.
- MATERIAL: PA66 GF, UL94 V0, 750°C GWT NO FLAME



SECTION A-A

TOOL MARK ON TERMINAL SURFACE IS ACCEPTABLE WHICH DOES NOT IMPACT FUNCTION



42.30	40.30	8
37.30	35.30	7
32.30	30.30	6
27.30	25.30	5
22.30	20.30	4
17.30	15.30	3
12.30	10.30	2
N	M	NO.OF POS.

THIS DRAWING IS A CONTROLLED DOCUMENT.

DWN	B.P	APR162013
CHK	F.M	APR162013
APVD		APR162013
PRODUCT SPEC	108-106080	
APPLICATION SPEC		
WEIGHT		
CUSTOMER DRAWING	SCALE 4:1	SHEET 1 OF 4

TE Connectivity

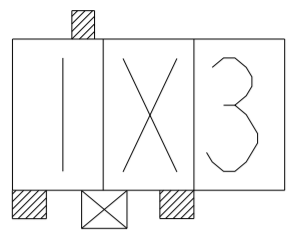
NAME RAST 5 TAB HEADER ASSY
DIN STYLE, TH, VERTICAL

SIZE A2 CAGE CODE 00779 DRAWING NO C-2232511 RESTRICTED TO

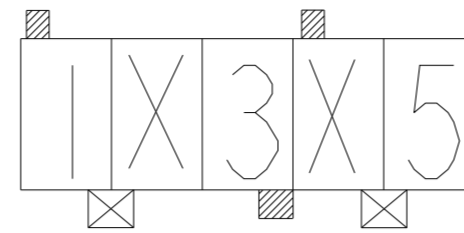
REV C1

THIS DRAWING IS UNPUBLISHED. RELEASED FOR PUBLICATION 20
 © COPYRIGHT 20 BY - ALL RIGHT REVERSED ALL RIGHTS RESERVED.

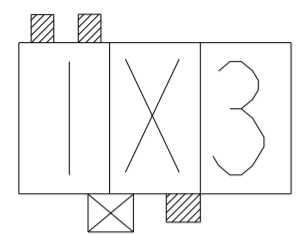
LOC		DIST		REVISIONS			
P	LTR	DESCRIPTION	DATE	DWN	APVD		
-	-	SEE SHEET 1	-	-	-		



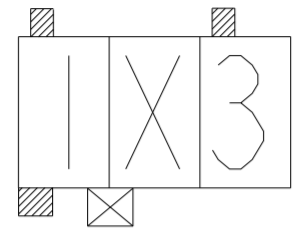
3-2232511-3 $\Delta_5 \Delta_7$



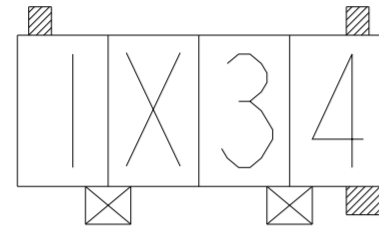
4-2232511-5 Δ_9



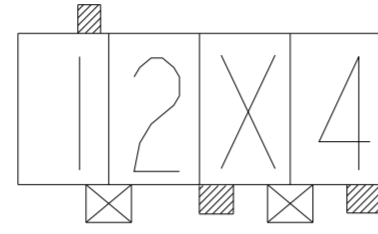
2-2232511-3 Δ_5



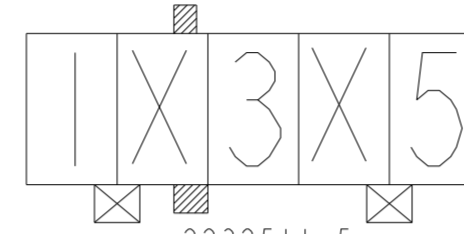
2232511-3
 1-2232511-3 Δ_6
 2328608-3 Δ_8



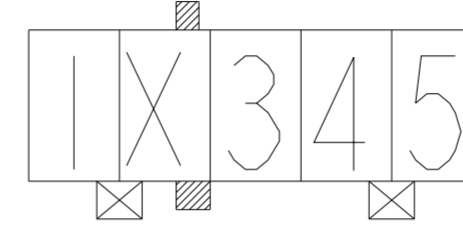
2232511-4



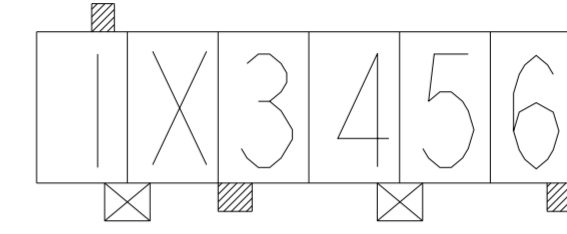
1-2232511-4



2232511-5
 1-2232511-5 Δ_6
 2328608-5 Δ_8



2-2232511-5 Δ_5



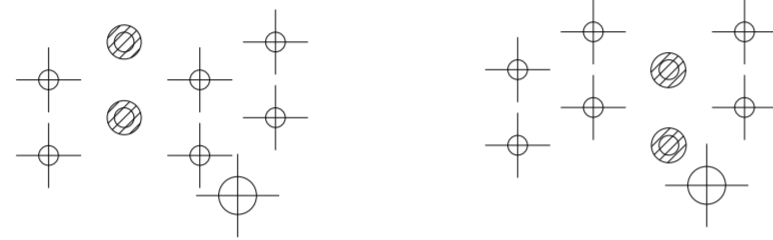
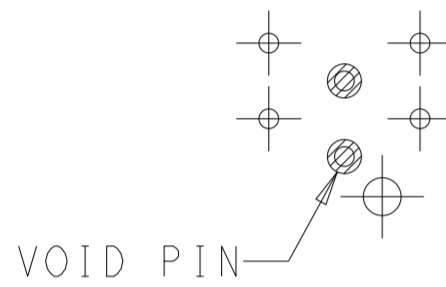
2232511-6

6 POS.

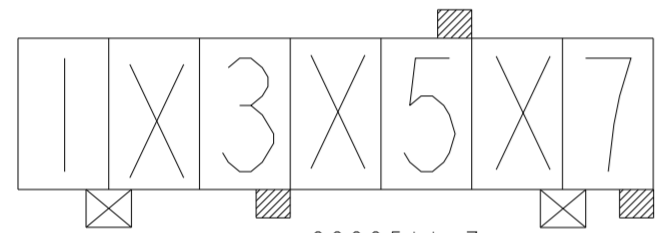
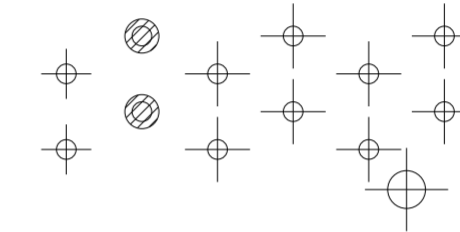
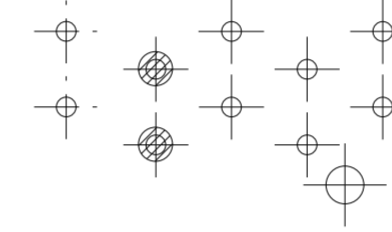
3 POS.

4 POS.

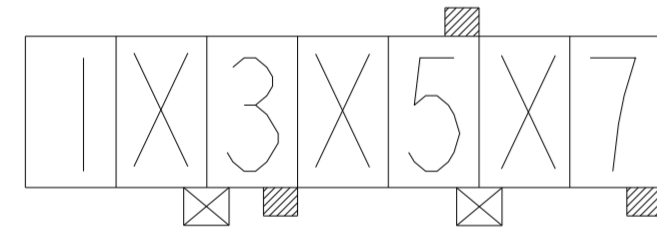
5 POS.



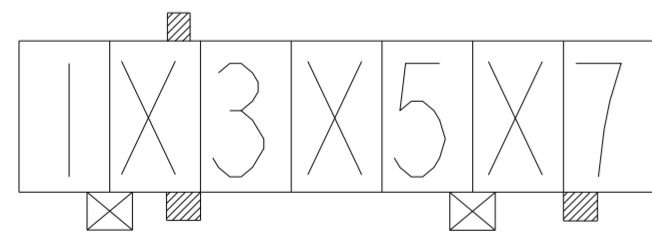
PCB LAYOUT SKETCH
 SOLDER SIDE



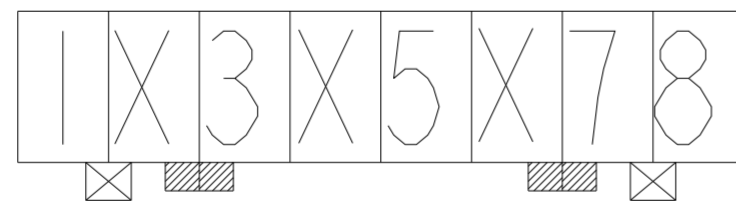
2232511-7
 1-2232511-7 Δ_6
 2328608-7 Δ_8



2-2232511-7 Δ_6
 1-2328608-7 Δ_8



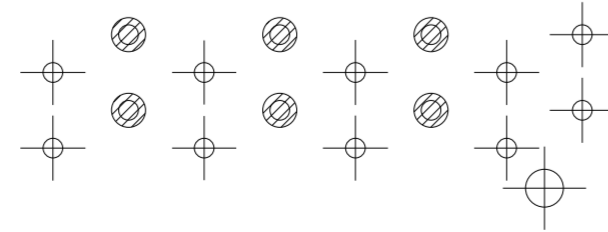
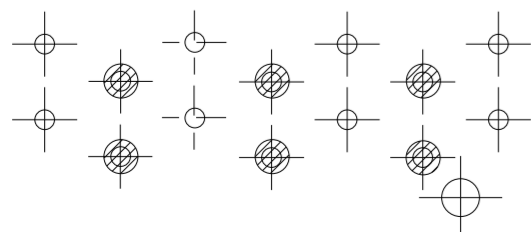
3-2232511-7



2232511-8

7 POS.

8 POS.

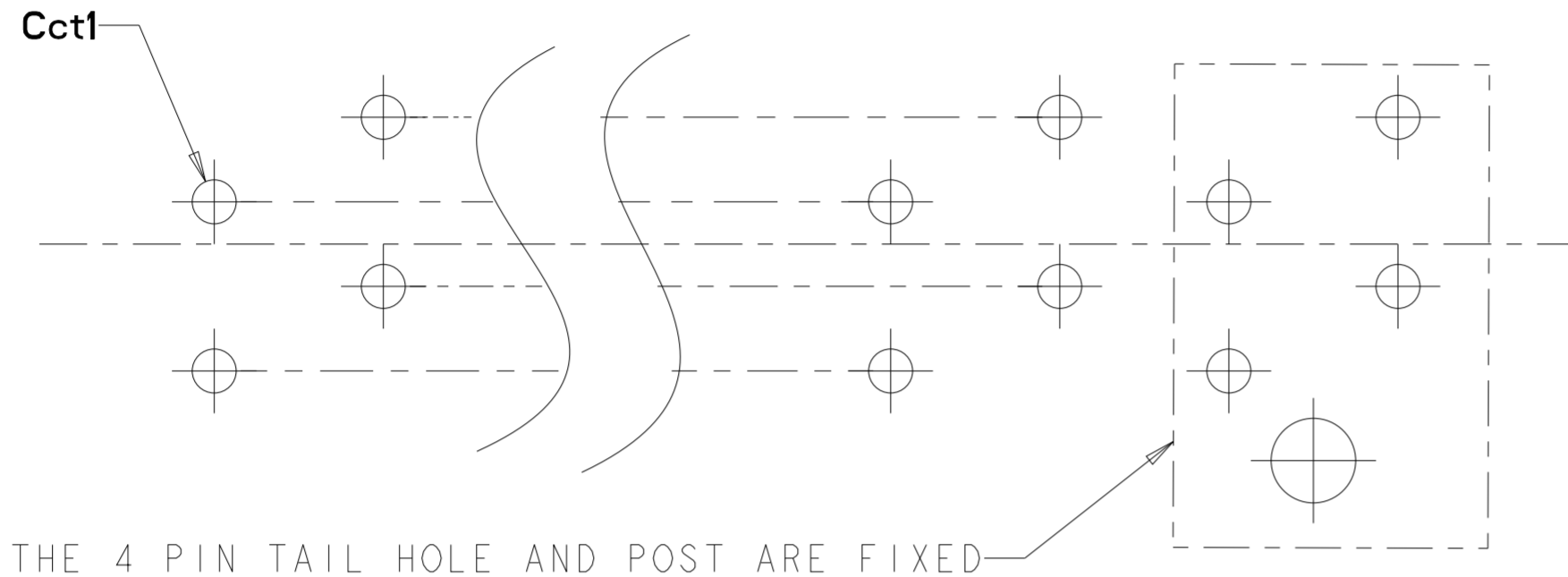


PCB LAYOUT SKETCH
 SOLDER SIDE

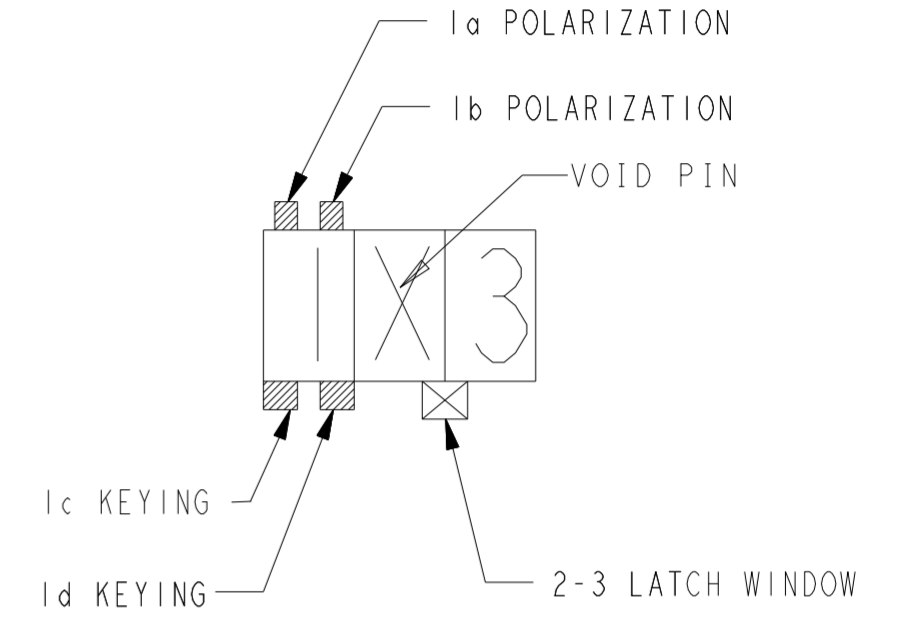
THIS DRAWING IS A CONTROLLED DOCUMENT.		DWN B.P.	APR162013	TE Connectivity	
DIMENSIONS: mm		CHK	24SEP2013		
TOLERANCES UNLESS OTHERWISE SPECIFIED:		APVD	24SEP2013	NAME RAST 5 TAB HEADER ASSY DIN STYLE, TH, VERTICAL	
0 PLC ±		PRODUCT SPEC		SIZE	
1 PLC ±0.5		108-106080		CAGE CODE	
2 PLC ±0.13		APPLICATION SPEC		DRAWING NO	
3 PLC ±0.013		WEIGHT		RESTRICTED TO	
4 PLC ±0.0001		CUSTOMER DRAWING		A200779	
ANGLES ±		SCALE 4:1		SHEET 2 OF 4	
FINISH		REV C1			

THIS DRAWING IS UNPUBLISHED. RELEASED FOR PUBLICATION 20
 © COPYRIGHT 20 BY - ALL RIGHT REVERSED ALL RIGHTS RESERVED.

LOC		DIST		REVISIONS			
P	LTR	DESCRIPTION	DATE	DWN	APVD		
-	-	SEE SHEET 1	-	-	-		



THE POSITION OF THE 4 PIN TAIL HOLE AND POST ARE FIXED



PICTORIAL VIEW KEY

RECOMMEND PCB LAYOUT - SOLDER SIDE
 PCB 1.5± 0.2 THICK

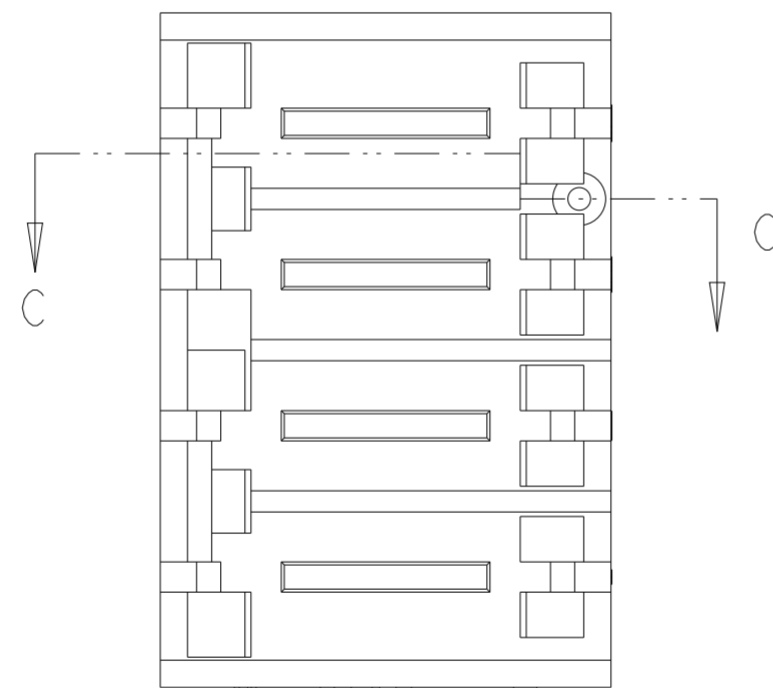
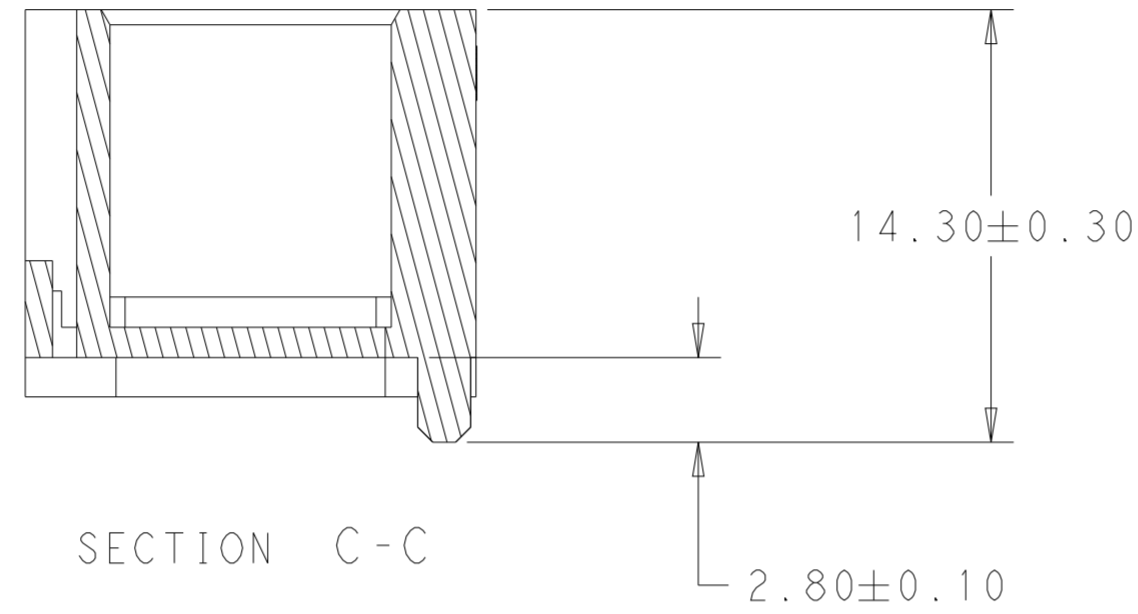
NATURE	8	2232511-8	
	7	3-2232511-7	
	7	2-2232511-7	6
	7	1-2232511-7	6
	7	2232511-7	
	6	2232511-6	
	5	4-2232511-5	9
	5	2-2232511-5	5
	5	1-2232511-5	6
	5	2232511-5	
	4	1-2232511-4	
	4	2232511-4	5
	3	3-2232511-3	5 7
	3	2-2232511-3	5
3	1-2232511-3	6	
3	2232511-3		
COLOR	NO. OF POS.	PART NUMBER	

THIS DRAWING IS A CONTROLLED DOCUMENT.		DWN B.P.	APR162013	STE TE Connectivity	
		CHK	24SEP2013		
DIMENSIONS: mm		TOLERANCES UNLESS OTHERWISE SPECIFIED:		NAME RAST 5 TAB HEADER ASSY DIN STYLE, TH, VERTICAL	
		0 PLC ±		APVD	
		1 PLC ±0.5		24SEP2013	
		2 PLC ±0.13		PRODUCT SPEC	
		3 PLC ±0.013		108-106080	
		4 PLC ±0.0001		APPLICATION SPEC	
		ANGLES ±		SIZE	
		FINISH		CAGE CODE	
				DRAWING NO	
				RESTRICTED TO	
				A200779C-2232511	
				SCALE 4:1 SHEET 3 OF 4 REV C1	
				CUSTOMER DRAWING	

THIS DRAWING IS UNPUBLISHED. RELEASED FOR PUBLICATION 20
 © COPYRIGHT 20 BY - ALL RIGHT REVERSED ALL RIGHTS RESERVED.

LOC		DIST		REVISIONS			
P	LTR	DESCRIPTION	DATE	DWN	APVD		
-	-	SEE SHEET 1	-	-	-		

△ SPECIAL VERSION: SHORT PEG DESIGN



OTHER DIMENSIONS SEE SHEET 1
 KEYING SEE SHEET 2

NATURE	7	△ 1-2328608-7
	7	2328608-7
	5	2328608-5
	3	2328608-3
COLOR	NO. OF POS.	△ PART NUMBER

THIS DRAWING IS A CONTROLLED DOCUMENT.		DWN	APR162013	 TE Connectivity			
DIMENSIONS:		B.P	APR162013				
mm		CHK	APR162013				
		F.M	APR162013				
TOLERANCES UNLESS OTHERWISE SPECIFIED: 0 PLC ± 1 PLC ±0.5 2 PLC ±0.25 3 PLC ±0.013 4 PLC ±0.0001 ANGLES ± FINISH ±		APVD	APR162013	NAME	RAST 5 TAB HEADER ASSY DIN STYLE, TH, VERTICAL		
MATERIAL		PRODUCT SPEC	108-106080	APPLICATION SPEC	-		
-		WEIGHT	-	SIZE	CAGE CODE	DRAWING NO	RESTRICTED TO
-		CUSTOMER DRAWING	-	A2	00779	C-2232511	
-		SCALE	4:1	SHEET	4	OF	4
-		REV	C1				

单击下面可查看定价，库存，交付和生命周期等信息

[>>TE Connectivity\(泰科\)](#)