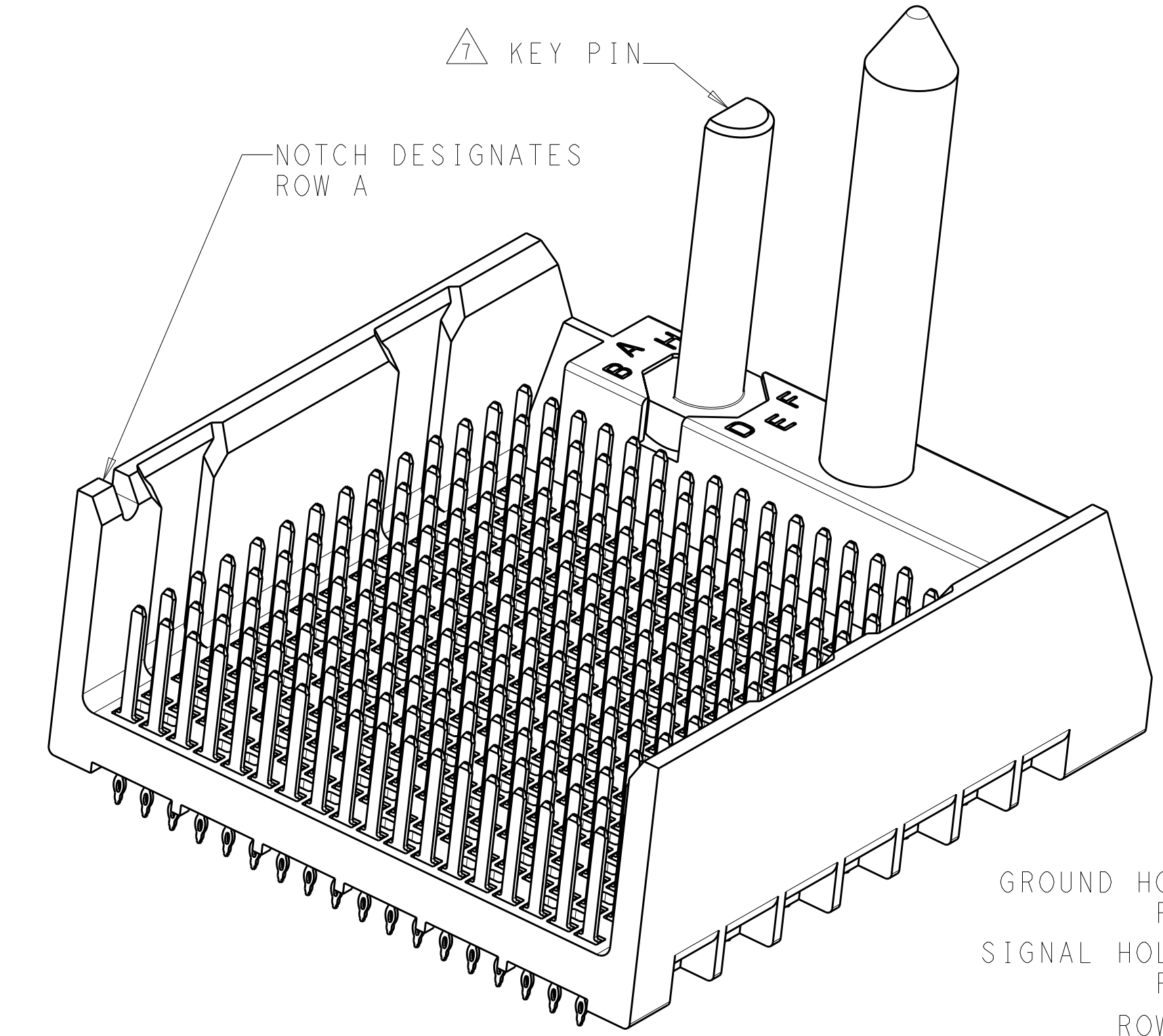
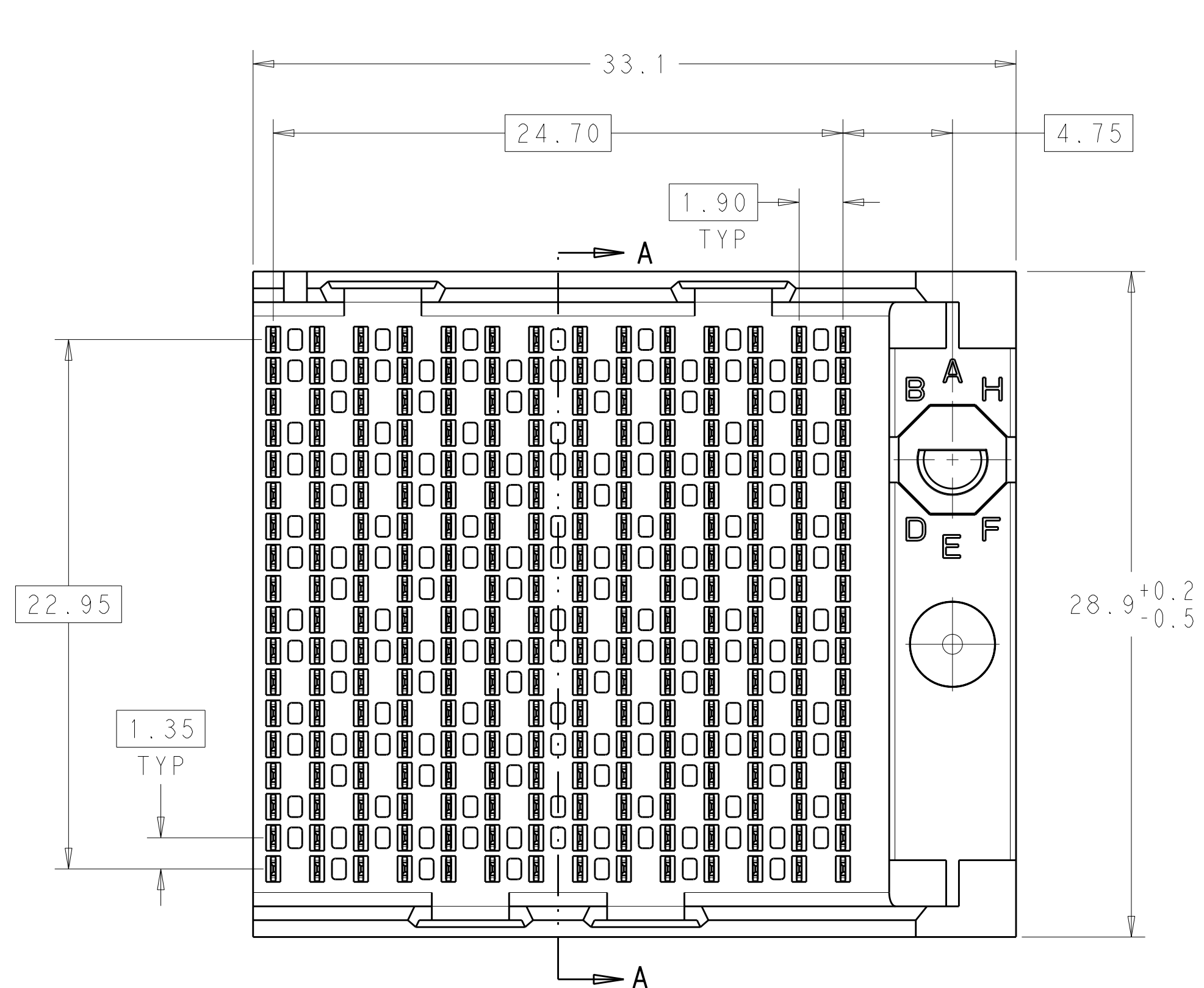
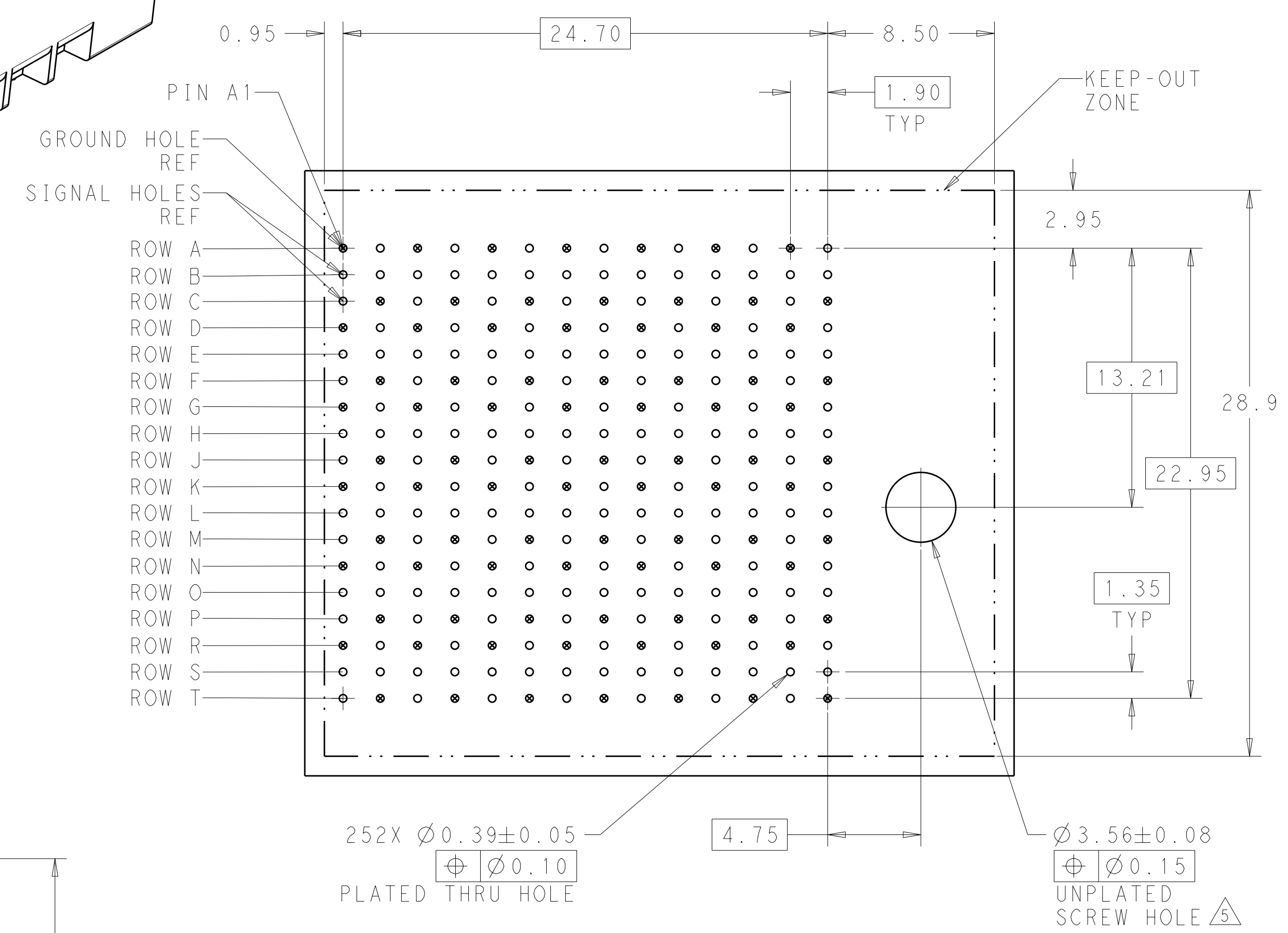


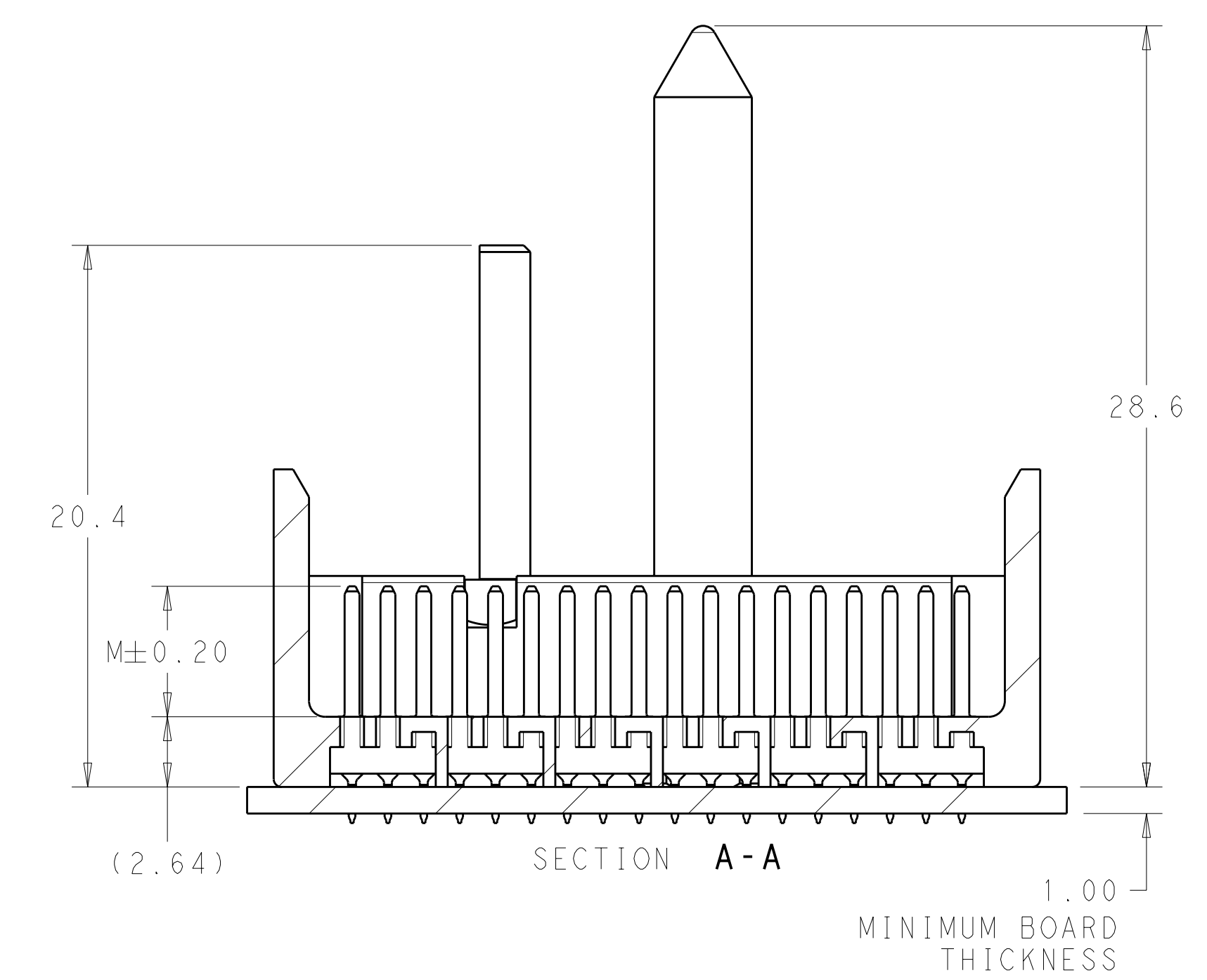
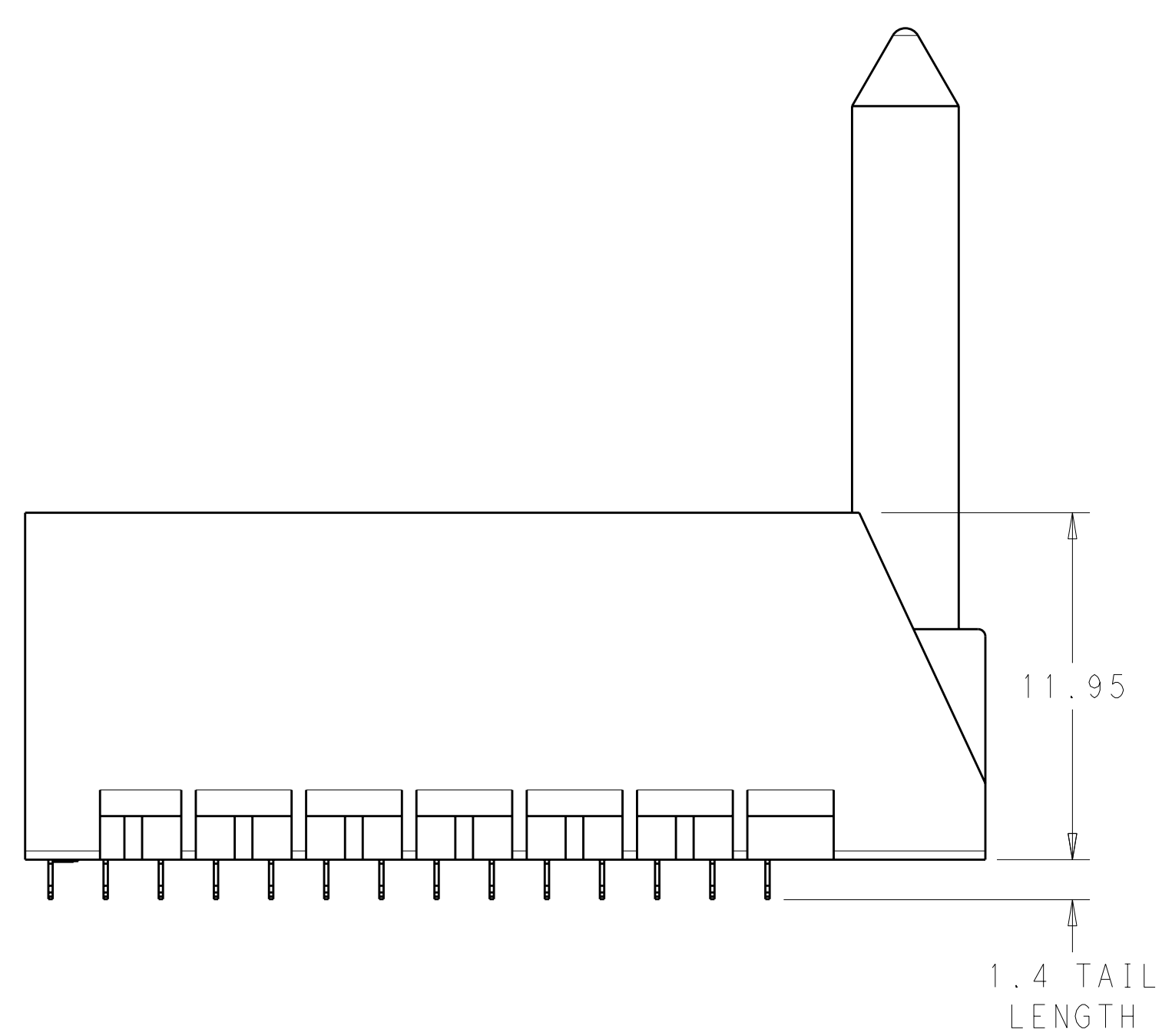
LOC	DIST	REV	DATE	BY	APPD
AD	00	1	22MAR2011	JKS	JE
		2	25MAR2011	JKS	JE



- 1 MATERIAL: HOUSING: LCP, GLASS FILLED, UL94V-0. TERMINALS: HIGH PERFORMANCE COPPER ALLOY.
- 2 FINISH: 30µ" MIN GOLD IN CONTACT AREA. SELECTIVE TIN ON PCB TAILS, NICKEL OVERALL.
- 3 FINISH: 30µ" MIN GOLD IN CONTACT AREA. SELECTIVE TIN-LEAD ON PCB TAILS, NICKEL OVERALL.
- 4. SCREWS PACKAGED IN END OF PACKAGING TUBE.
- 5 FOR GROUNDED GUIDE PIN USE $\phi 3.56 \pm 0.08$ PTH, $\phi 3.66$ DRILL, AND $\phi 6.5$ PAD.
- 6. KEYING PIN SHOWN IN POSITION A. SEE KEYING CHART ON SHEET 2 FOR OTHER POSITIONS.
- 7 OPTIONAL DEPENDING ON PART NUMBER.



RIGHT GUIDED BACKPLANE HOLE PATTERN (CONNECTOR SIDE)

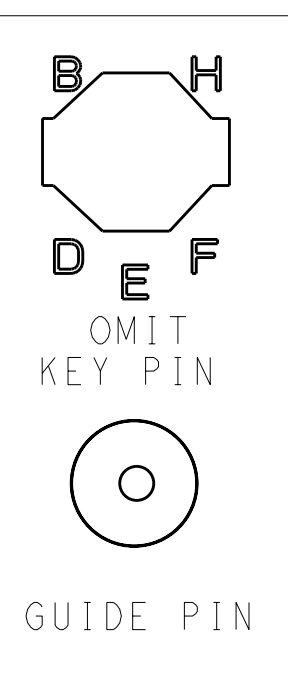


DESIGN APPROVED THIS PRINT IS
PRELIMINARY
TO FIRST PIECE APPROVAL
CONTACT PRODUCT ENGINEERING
BEFORE USING THIS PRINT

THIS DRAWING IS A CONTROLLED DOCUMENT.		DWN J. K. SHOBER 22MAR2011	TE Connectivity
DIMENSIONS: mm		CHK J. EBY 22MAR2011	
TOLERANCES UNLESS OTHERWISE SPECIFIED:		APVD J. EBY 22MAR2011	NAME IMPACT, 6 PAIR, 14 COLUMN, HEADER
0 PLC	±	PRODUCT SPEC	RT GUIDED, OPEN END WALL, SELECT LD
1 PLC	±0.25	APPLICATION SPEC	SIGNAL MODULE, 0.39 PTH
2 PLC	±0.13	SIZE CAGE CODE DRAWING NO	RESTRICTED TO
3 PLC	±	WEIGHT	A100779C=2180382
4 PLC	±	CUSTOMER DRAWING	SCALE 5:1 SHEET 1 OF 2 REV 2
ANGLES	±		
FINISH	SEE TABLE		

LOC	DIST	REV	DATE	BY	APPD
AD	00				
DESCRIPTION			DATE	DWN	APPD
SEE SHEET 1			-	-	-

2180382-1														
PART NUMBER		FINISH												
CONTACT LAYOUT														
A = 4.5mm (DIM M)														
B = 4.9mm (DIM M)														
C = 5.5mm (DIM M)														
COLUMNS														
	1	2	3	4	5	6	7	8	9	10	11	12	13	14
A	B	B	B	B	B	B	B	B	B	B	B	B	B	B
B	B	B	B	B	B	B	B	B	B	B	B	B	B	B
C	B	B	B	B	B	B	B	B	B	B	B	B	B	B
D	B	B	B	B	B	B	B	B	B	B	B	B	B	B
E	B	B	B	B	B	B	B	B	B	B	B	B	B	B
F	B	B	B	B	B	B	B	B	B	B	B	B	B	B
G	B	B	B	B	B	B	B	B	B	B	B	B	B	A
H	B	B	B	B	B	B	B	B	B	B	B	B	B	B
J	B	B	B	B	B	B	B	B	B	B	B	B	B	B
K	B	B	B	B	B	B	B	B	B	B	B	B	B	B
L	B	B	B	B	B	B	B	B	B	B	B	B	B	B
M	B	B	B	B	B	B	B	B	B	B	B	B	B	B
N	B	B	B	B	B	B	B	B	B	B	B	B	B	B
O	B	B	B	B	B	B	B	B	B	B	B	B	B	B
P	B	B	B	B	B	B	B	B	B	B	B	B	B	B
Q	B	B	B	B	B	B	B	B	B	B	B	B	B	B
R	B	B	B	B	B	B	B	B	B	B	B	B	B	A
S	B	B	B	B	B	B	B	B	B	B	B	B	B	B
T	B	B	B	B	B	B	B	B	B	B	B	B	B	B



KEY POSITION CHART	
NONE	
A	E
B	F
C	G
D	H

REFER TO WWW.TE.COM FOR PRODUCT AVAILABILITY

DESIGN APPROVED THIS PRINT IS
PRELIMINARY
 TO FIRST PIECE APPROVAL
 CONTACT PRODUCT ENGINEERING
 BEFORE USING THIS PRINT

THIS DRAWING IS A CONTROLLED DOCUMENT.		DWN J. K. SHOBER 22MAR2011	TE Connectivity												
DIMENSIONS: mm		CHK J. EARY 22MAR2011													
TOLERANCES UNLESS OTHERWISE SPECIFIED:		APVD J. EARY 22MAR2011	NAME IMPACT, 6 PAIR, 14 COLUMN, HEADER RT GUIDED, OPEN END WALL, SELECT LD SIGNAL MODULE, 0.39 PTH												
<table border="0"> <tr> <td>9 PLC</td><td>±</td></tr> <tr> <td>3 PLC</td><td>±0.25</td></tr> <tr> <td>5 PLC</td><td>±0.13</td></tr> <tr> <td>4 PLC</td><td>±</td></tr> <tr> <td>ANGLES</td><td>±</td></tr> <tr> <td>FINISH</td><td>±</td></tr> </table>		9 PLC	±	3 PLC	±0.25	5 PLC	±0.13	4 PLC	±	ANGLES	±	FINISH	±	PRODUCT SPEC	SIZE CAGE CODE DRAWING NO RESTRICTED TO
9 PLC	±														
3 PLC	±0.25														
5 PLC	±0.13														
4 PLC	±														
ANGLES	±														
FINISH	±														
MATERIAL		APPLICATION SPEC	A100779C=2180382												
SEE TABLE		WEIGHT	SCALE 5:1 SHEET 2 OF 2 REV 2												
CUSTOMER DRAWING															

单击下面可查看定价，库存，交付和生命周期等信息

[>>TE Connectivity\(泰科\)](#)