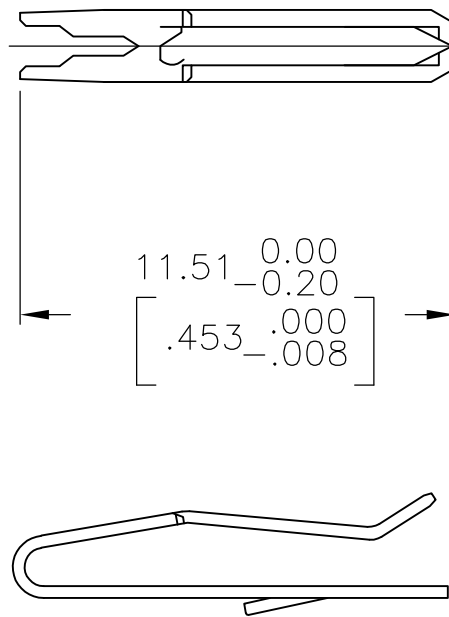


REVISIONS					
P	LTR	DESCRIPTION	DATE	DWN	APVD
	E	REVISED PER ECR-17-018816	05APR2018	BDA	SG

1. DIMENSION IN BRACKETS ARE IN INCHES.

△ 2 OBSOLETE PARTS






△ 2	SUPERSEDED	TIN	641643-2
		TIN-LEAD	-641643-1
		FINISH	PART NO

RELEASED FOR PUBLICATION

ALL RIGHTS RESERVED.

THIS DRAWING IS UNPUBLISHED.

© COPYRIGHT - TE Connectivity Ltd.

DIMENSIONS: mm [INCHES]	DWN L.SMITH 20JAN94	MATERIAL 0.30[.012] THK COPPER ALLOY	FINISH MATTE TIN OR BRIGHT TIN LEAD 0.00203[.000080] MIN THK		
	CHK R.SWING 20JAN94	 TE Connectivity Ltd.			
TOLERANCES UNLESS OTHERWISE SPECIFIED:	APVD E.BEILES 27JAN94			NAME CONTACT,0.36-0.51[.014-.020] POST LOOSE PIECE 22 AWG WIRE,MTA-100	
0 PLC ± -	PRODUCT SPEC	SIZE	CAGE CODE	DRAWING NO	RESTRICTED TO
1 PLC ± -	—	A4	00779	C-641643	—
2 PLC ± -	APPLICATION SPEC				
3 PLC ± -	—				
4 PLC ± -	WEIGHT				
ANGLES ± -					
	CUSTOMER DRAWING	SCALE	SHEET	REV	
		5:1	1 OF 1	E	

单击下面可查看定价，库存，交付和生命周期等信息

[>>TE Connectivity\(泰科\)](#)