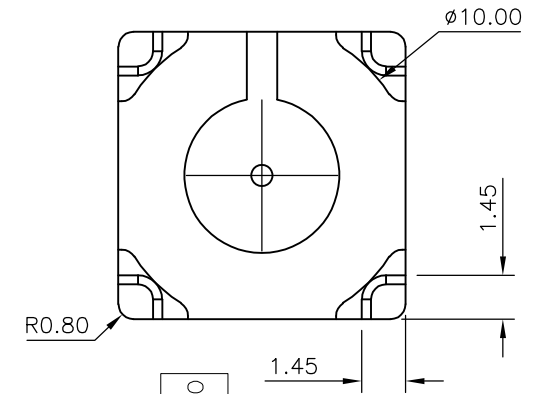
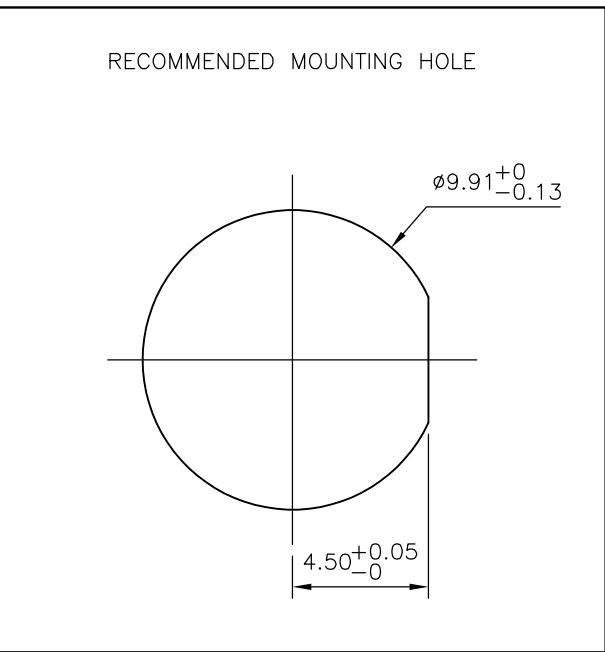
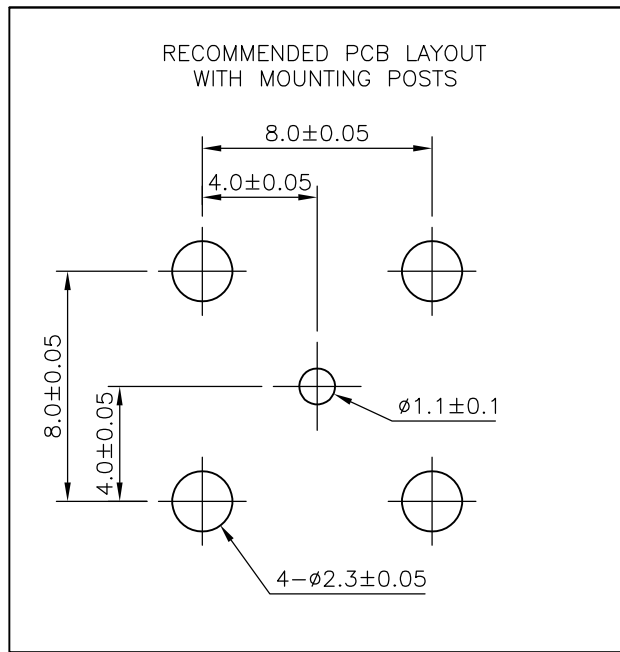
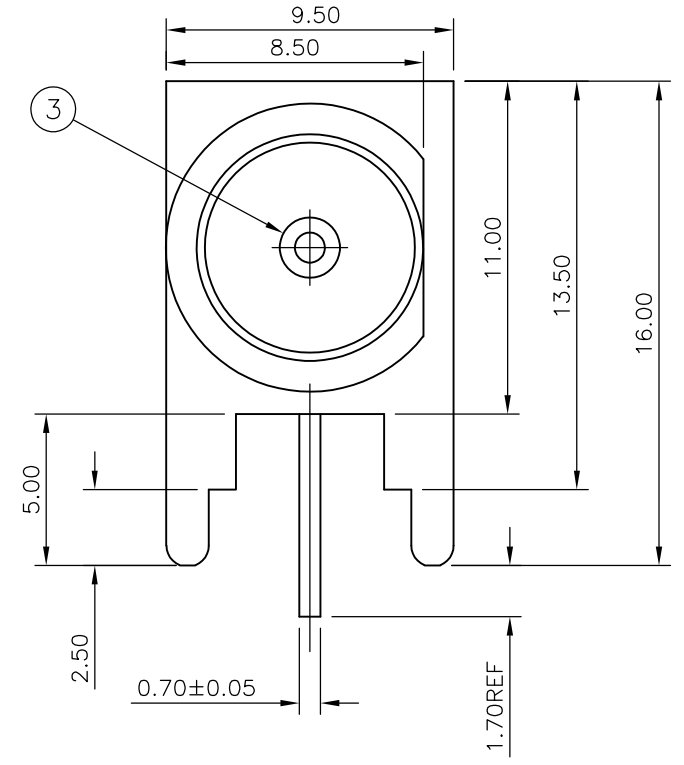
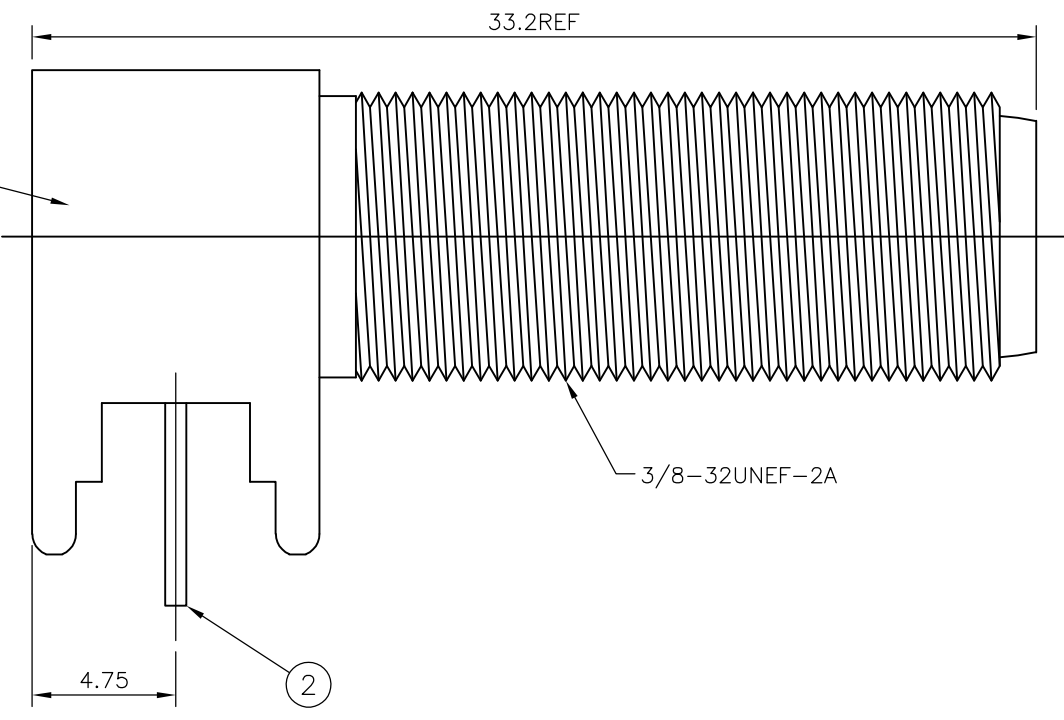


THIS DRAWING IS UNPUBLISHED. RELEASED FOR PUBLICATION SEP, 2004.
 © COPYRIGHT 2004 By - ALL RIGHTS RESERVED.

LOC	DIST	REVISIONS			
P	LTR	DESCRIPTION	DATE	DWN	APVD
E	B	D1	REVISED PER ECO-11-005033	01APR11	RK HMR
E	B	E	REVISED PER ECO-11-021675	02NOV11	TITAN MARTIN

NOTES

- ① 100 TRAY PACK IN ACCORDANCE WITH AMP SPEC 107-3275
- ② SINGLE PACK IN ACCORDANCE WITH AMP SPEC 107-3275
- ③ 1.27µm TIN PLATING OVER 0.76µm Cu PLATING
- ④ 1.27µm Ni PLATING OVER 0.76µm Cu PLATING
- 5. FOR TECHNICAL DATA REFER TO YOUR LOCAL TE CONNECTIVITY SALES OFFICE
- 6. ALL DIMENSIONS ARE NOMINAL FOR REFERENCE ONLY UNLESS OTHERWISE STATED



QTY	DESCRIPTION	ITEM
1	TPX	INSULATOR 3
1	PHOS BRONZE	CONTACT 2
1	ZINC ALLOY	BODY 1
5--1	MATERIAL	DESCRIPTION ITEM

Obsolete

THIS DRAWING IS A CONTROLLED DOCUMENT.

DWN ANSON MA 14FEB09
 CHK RITA ZUO 14FEB09
 APVD BOB ZHAO 14FEB09

PRODUCT SPEC 108-112000
 APPLICATION SPEC

STE TE Connectivity

F SERIES CONNECTOR ELBOW JACK PCB EXTENDED

SIZE A3 CAGE CODE 00779 DRAWING NO C-1634552 RESTRICTED TO

WEIGHT - SCALE NTS SHEET 1 OF 1 REV E

CUSTOMER DRAWING

DIMENSIONS:	TOLERANCES UNLESS OTHERWISE SPECIFIED:
mm	
∅	0 PLC ± 0.5
	1 PLC ± 0.3
	2 PLC ± 0.2
	3 PLC ± -
	4 PLC ± -
	ANGLES ± -
MATERIAL	FINISH
SEE TABLE	SEE TABLE

单击下面可查看定价，库存，交付和生命周期等信息

[>>TE Connectivity\(泰科\)](#)