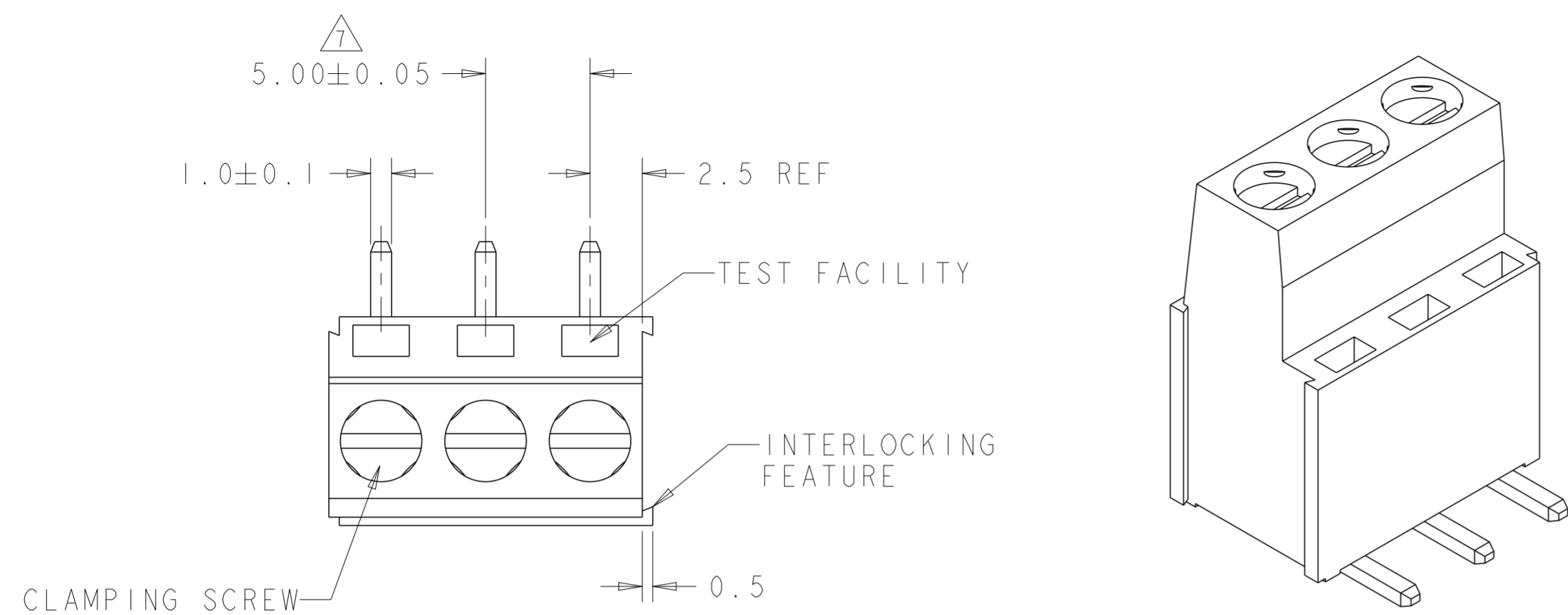
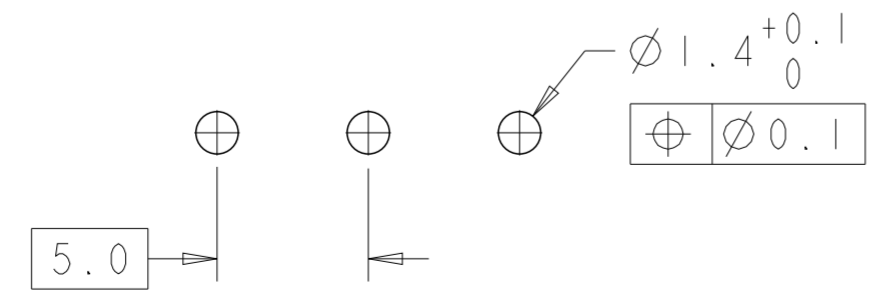
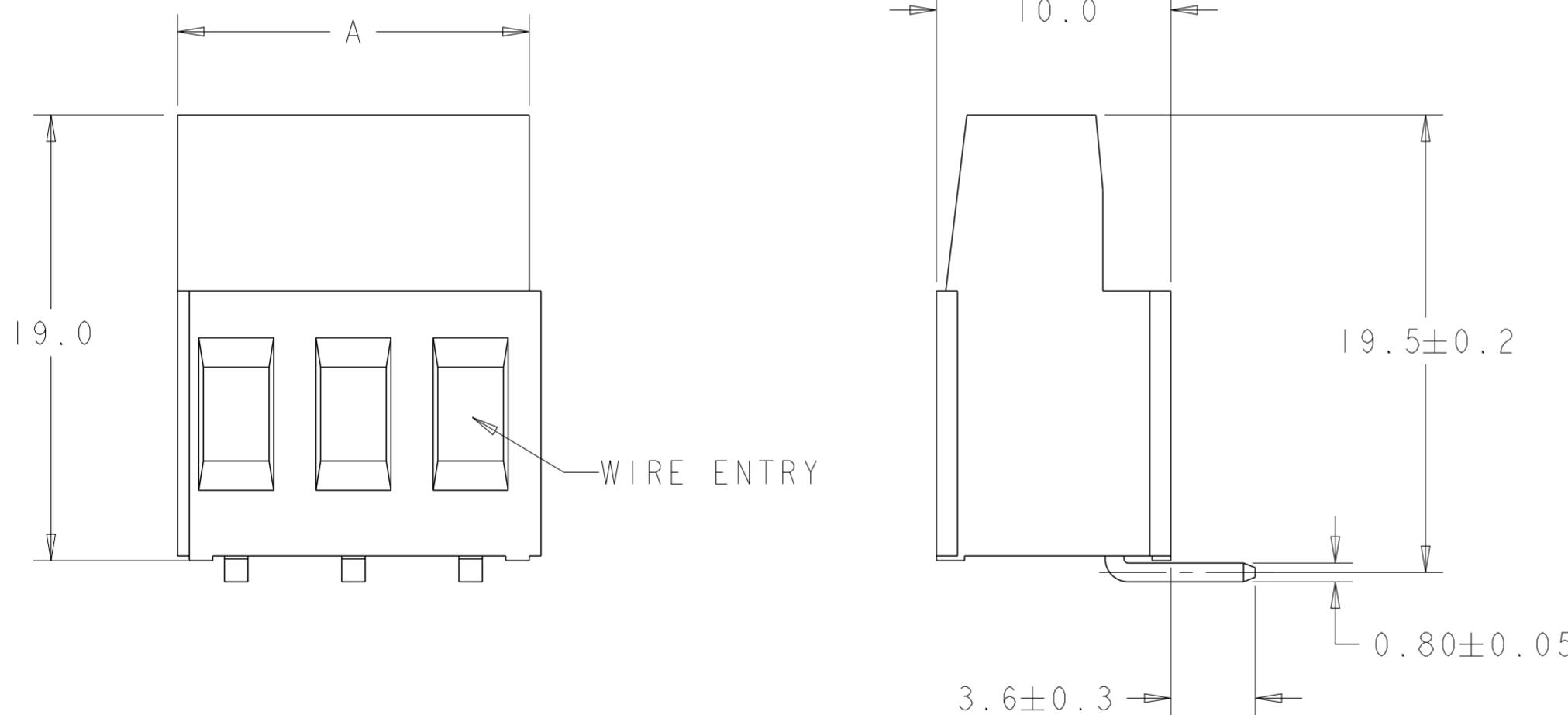


THIS DRAWING IS UNPUBLISHED. RELEASED FOR PUBLICATION 20
 © COPYRIGHT 20 BY - ALL RIGHTS RESERVED.

REVISIONS				
P	LTR	DESCRIPTION	DATE	APVD
	AI	RELEASED -2 TO 1 - - 2	17MAR2015	PS PS



1776829-3 AS SHOWN



RECOMMENDED PC BOARD LAYOUT

NOTES:

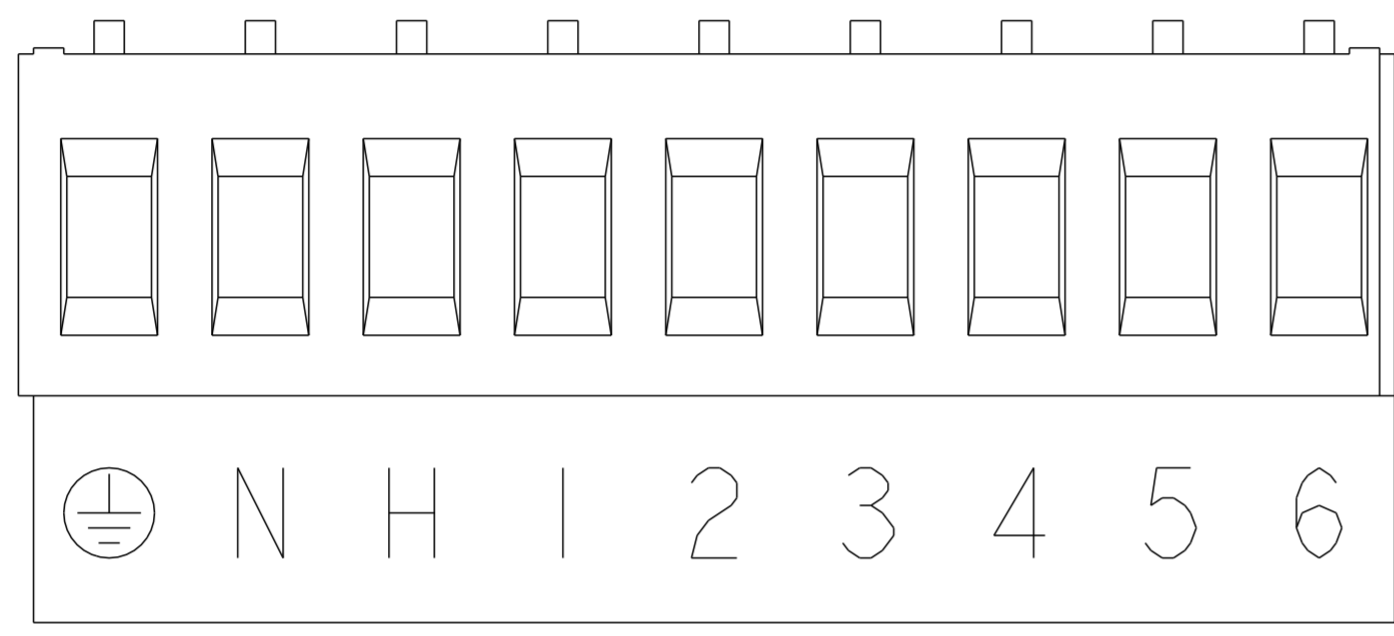
- 1. MATERIALS AND FINISH
 HOUSING: PA 6-6, UL 94-V0, COLOR: GREEN.
 CLAMP: BRASS, NICKEL PLATED.
 TERMINAL: BRASS, TIN PLATED.
 CLAMPING SCREW: M3, BRASS, NICKEL PLATED.
- 2. SUITABLE FOR 1,6-2,4mm PC BOARD THICKNESS.
- 3. END-TO-END STACKABLE W/INTERLOCK WITHOUT LOSS OF CENTERLINE SPACING.
- 4. WIRE SIZE RANGE: 12-30 AWG.
- 5. RECOGNIZED UNDER THE COMPONENT PROGRAM OF UNDERWRITERS LABORATORIES INC., FILE N° E60677.
- 6. IMQ CERTIFICATE WITH SURVEILLANCE IN CONFORMITY WITH IEC 998-1/998-2-1.
- 7. NOT CUMULATIVE TOLERANCE.
- 8. PART TO BE MARKED WITH WHITE PERMANENT INK.
- 9. RECOMMENDED / HIGHEST TIGHTENING TORQUE 0.5/0.6 Nm
 WIRE STRIPPING LENGTH 6.5 - 7.0 mm
- 10. VOLTAGE RATING : 300 V
 CURRENT RATING : 24A (FACTORY WIRING); 20 A (FIELD WIRING)
 OPERATING TEMPERATURE RANGE: -40°C TO +110°C
- 11. HOUSING COLOR IS BLACK FOR P/N 2-1776829-9

PRELIMINARY	SEE DETAIL K	45.0	9	2-1776829-9
PRELIMINARY	-	70.0	14	1-1776829-4
PRELIMINARY	-	65.0	13	1-1776829-3
-	-	60.0	12	1-1776829-2
-	-	55.0	11	1-1776829-1
-	-	50.0	10	1-1776829-0
-	-	45.0	9	1776829-9
-	-	40.0	8	1776829-8
-	-	20.0	4	1776829-4
-	-	15.0	3	1776829-3
-	-	10.0	2	1776829-2
INK MARKING		A	NO OF POSN	PART NUMBER


THIS DRAWING IS A CONTROLLED DOCUMENT.		DWN S. WELDON 30MAR2006	TE Connectivity	
DIMENSIONS: mm		CHK C. RICHARD 30MAR2006		
TOLERANCES UNLESS OTHERWISE SPECIFIED:		APVD C. RICHARD 30MAR2006	NAME	
0 PLC ±		PRODUCT SPEC	TERMINAL BLOCK PCB MOUNT	
1 PLC ±0.2		APPLICATION SPEC	TOP ENTRY WIRE, STACKING	
2 PLC ±0.15		WEIGHT	SIZE	CAGE CODE
3 PLC ±		Customer Drawing	A2	-
4 PLC ±		SCALE	4:1	SHEET
ANGLES ±2°		RESTRICTED TO	1	2
FINISH		DRAWING NO	C-1776829	
FINISH		REV	AI	

THIS DRAWING IS UNPUBLISHED. RELEASED FOR PUBLICATION 20
 © COPYRIGHT 20 BY - ALL RIGHTS RESERVED.

REVISIONS				
P	LTR	DESCRIPTION	DATE	APVD
-	-	SEE SHEET 1	-	-



8
 DETAIL K

THIS DRAWING IS A CONTROLLED DOCUMENT.		DWN S. WELDON 30MAR2006	 TE Connectivity	
DIMENSIONS: mm		CHK C. RICHARD 30MAR2006		
TOLERANCES UNLESS OTHERWISE SPECIFIED:		APVD C. RICHARD 30MAR2006	NAME TERMINAL BLOCK PCB MOUNT TOP ENTRY WIRE, STACKING W/ INTERLOCK, 5.00 mm PITCH	
0 PLC ±	±0.2	PRODUCT SPEC	SIZE	CAGE CODE
1 PLC ±	±0.15	APPLICATION SPEC	A2	-
2 PLC ±	±	WEIGHT	DRAWING NO	RESTRICTED TO
3 PLC ±	±	-	C-1776829	-
4 PLC ±	±	Customer Drawing	SCALE	SHEET
ANGLES ±	±2°	Customer Drawing	4:1	2 OF 2
FINISH	-	Customer Drawing	REV	A1

单击下面可查看定价，库存，交付和生命周期等信息

[>>TE Connectivity\(泰科\)](#)