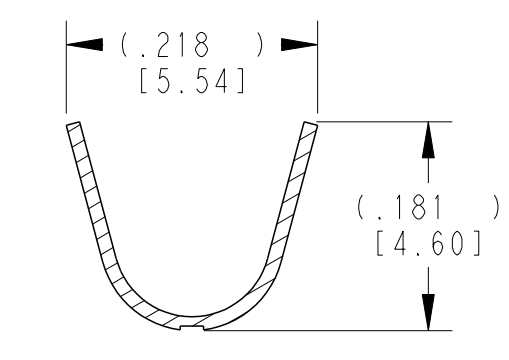
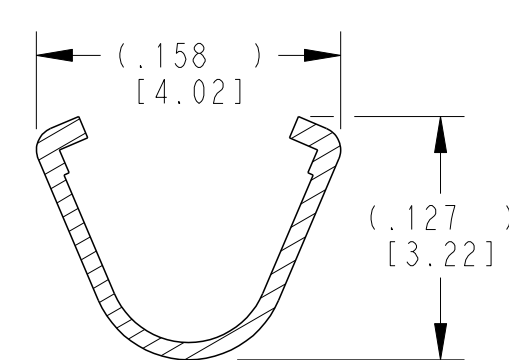
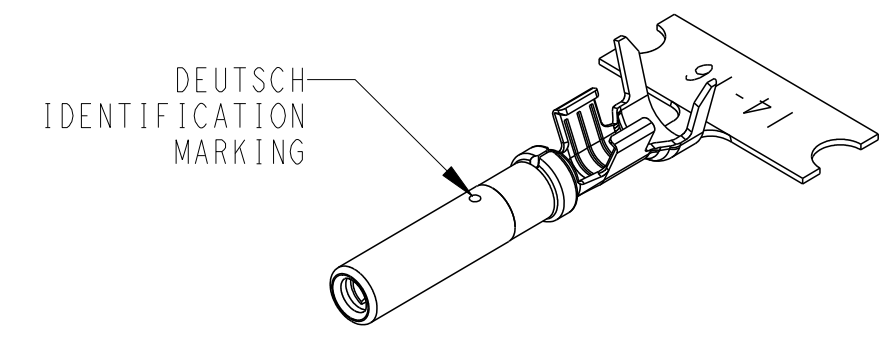


LOC	DIST	REVISIONS					
		P	LTR	DESCRIPTION	DATE	DWN	APVD
		F		REVISED PER ECO-15-007761	28MAY2015	RL	DM
		G		REVISED PER PCN E-20-008101	12JUN2020	DM	DM



**SECTION A-A**  
WIRE BARREL

**SECTION B-B**  
INSULATION BARREL

- 5 TIN PLATING MAY BE IN THIS REGION.
- 4 TIN PLATED REGION.
- 3 MATERIAL:  
BODY: .012 [0.30] THICK COPPER ALLOY  
SLEEVE: STAINLESS STEEL
- 2. WIRE RANGE: 18 AWG TO 14 AWG [0.75-2.0 mm<sup>2</sup>]  
INSULATION RANGE:  $\varnothing$ .095-.150 [ $\varnothing$ 2.41-3.81]
- 1 GOLD PLATED REGION.

NOTES: UNLESS OTHERWISE SPECIFIED

TE INTERNAL PN	DEUTSCH PN	PLATING
1062-14-0122	1062-14-0122	Ni/Cu overall, Sn/Ni/Cu Wire Barrel
1062-14-0144	1062-14-0144	Selective Au, Ni/Cu overall, Sn/Ni/Cu Wire Barrel
1062-14-0177	1062-14-0177	Sn/Ni/Cu overall

THIS DRAWING IS A CONTROLLED DOCUMENT.		DWN M. BLUM 04NOV1999	TE Connectivity					
DIMENSIONS: INCHES [mm]		CHK VLADIMIR TOMSA 04DEC2000						
TOLERANCES UNLESS OTHERWISE SPECIFIED:		APVD R. REED 08DEC2000	NAME SOCKET, STAMPED AND FORMED SIZE 16 14-18AWG					
0 PLC ± 1 PLC ± 2 PLC ± 3 PLC ±0.025 [0.64] 4 PLC ± ANGLES ±		PRODUCT SPEC 108-151000	SIZE A3	CAGE CODE 4AFU8	DRAWING NO C=1062-14-01XX	RESTRICTED TO -		
MATERIAL 3		FINISH SEE TABLE	WEIGHT 0.44 g	Customer Drawing		SCALE 6:1	SHEET 1 OF 1	REV G

单击下面可查看定价，库存，交付和生命周期等信息

[>>TE Connectivity\(泰科\)](#)