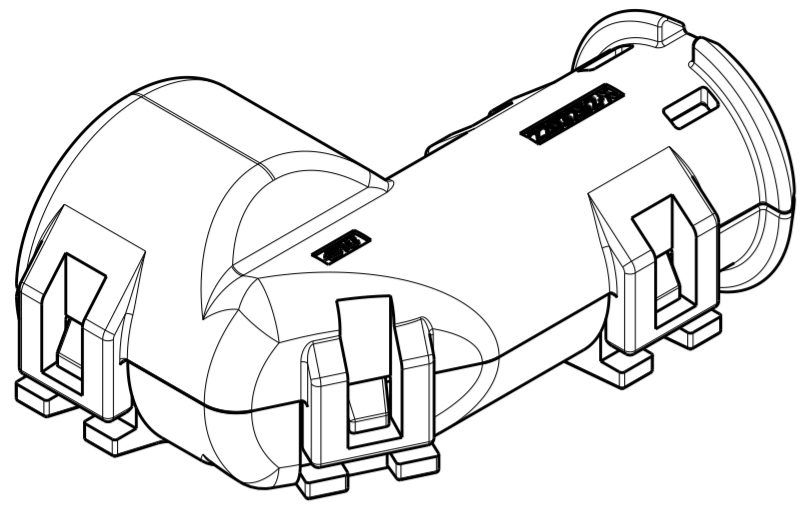
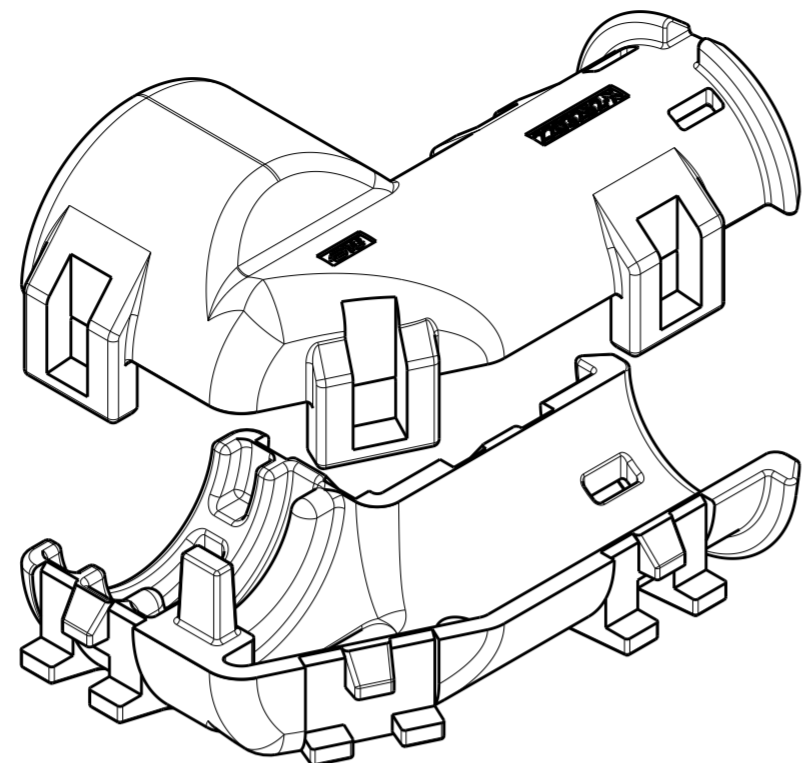


THIS DRAWING IS UNPUBLISHED. RELEASED FOR PUBLICATION 20  
 © COPYRIGHT 20 BY - ALL RIGHTS RESERVED.

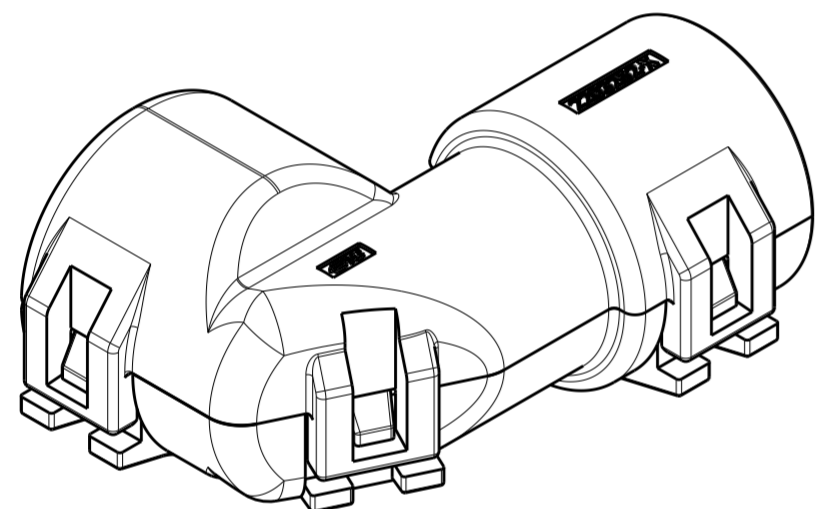
REVISIONS				
P	LTR	DESCRIPTION	DATE	APVD
A		RELEASED PER ECO-15-010501	17JUL2015	JM RB



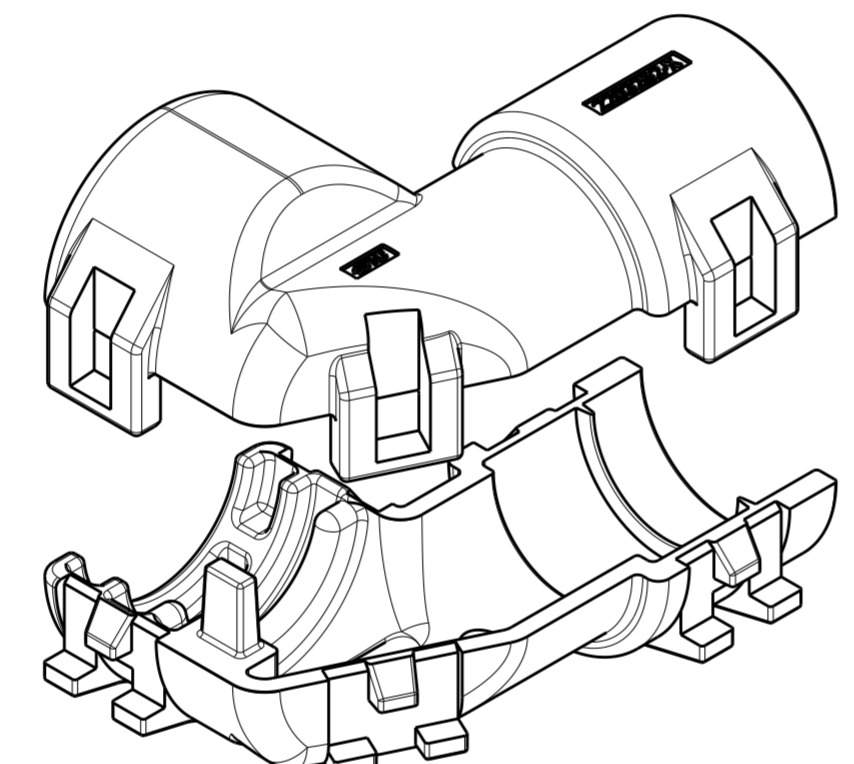
2292850-1  
ASSEMBLED ISOMETRIC VIEW SHOWN



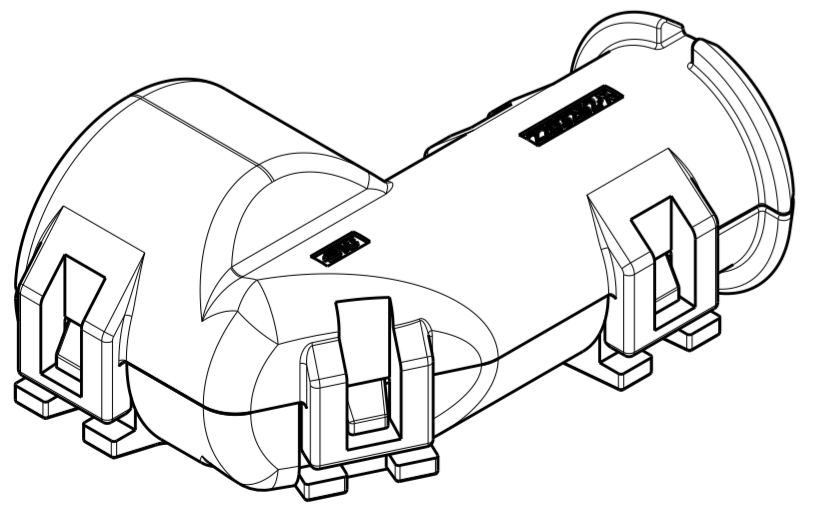
2292850-1  
EXPLODED ISOMETRIC VIEW SHOWN



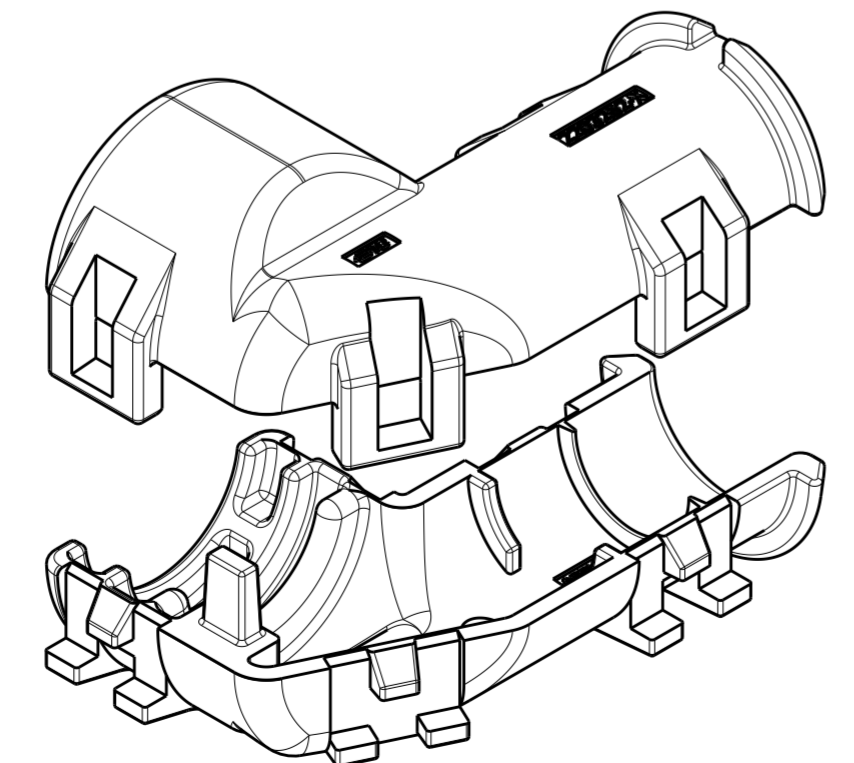
2292850-2  
ASSEMBLED ISOMETRIC VIEW SHOWN



2292850-2  
EXPLODED ISOMETRIC VIEW SHOWN



2292850-3  
ASSEMBLED ISOMETRIC VIEW SHOWN



2292850-3  
EXPLODED ISOMETRIC VIEW SHOWN

- 1 MATERIAL: NYLON MOLDING COMPOUND, BLACK, PA66/6.
- 2 ELBOWS DESIGNED SUCH THAT TWO HALVES ATTACH TO ONE ANOTHER AND CLAMSHELL AROUND THE BACKSHELL.
- 3 DIMENSIONS TO BE MEASURED WHEN ELBOWS ASSEMBLED.
- 4 SMOOTH EXIT BACKSHELL IS ONLY BACKSHELL THAT ACCEPTS THESE 90° ELBOWS. SEE TABLE.
- 5 NOT SHOWN.
- 6 PRODUCT WEIGHTS:  
 2292850-1: 6.48g ASSEMBLED  
 2292850-2: 7.25g ASSEMBLED  
 2292850-3: 6.60g ASSEMBLED
- 7 4mm WIDE SLOTS FOR TIE WRAP TO SECURE HARNESS WIRES (-1 ONLY).
- 8 HEAT SHRINK TUBING RETENTION FEATURE (-1 AND -3 ONLY).

2272800-X FOR PLUG SIDE	2292799-X FOR PLUG SIDE	NC12	NW10	2292850-3
2292863-X FOR CAP SIDE	2292862-X FOR CAP SIDE	NC16	NW13	2292850-2
		SMOOTH	SMOOTH	2292850-1
FITS ON 6 POSN BACKSHELLS		FITS ON 4 POSN BACKSHELLS		CORREGATE NC
				CORREGATE NW
				CONDUIT SIZE
				PART NUMBER

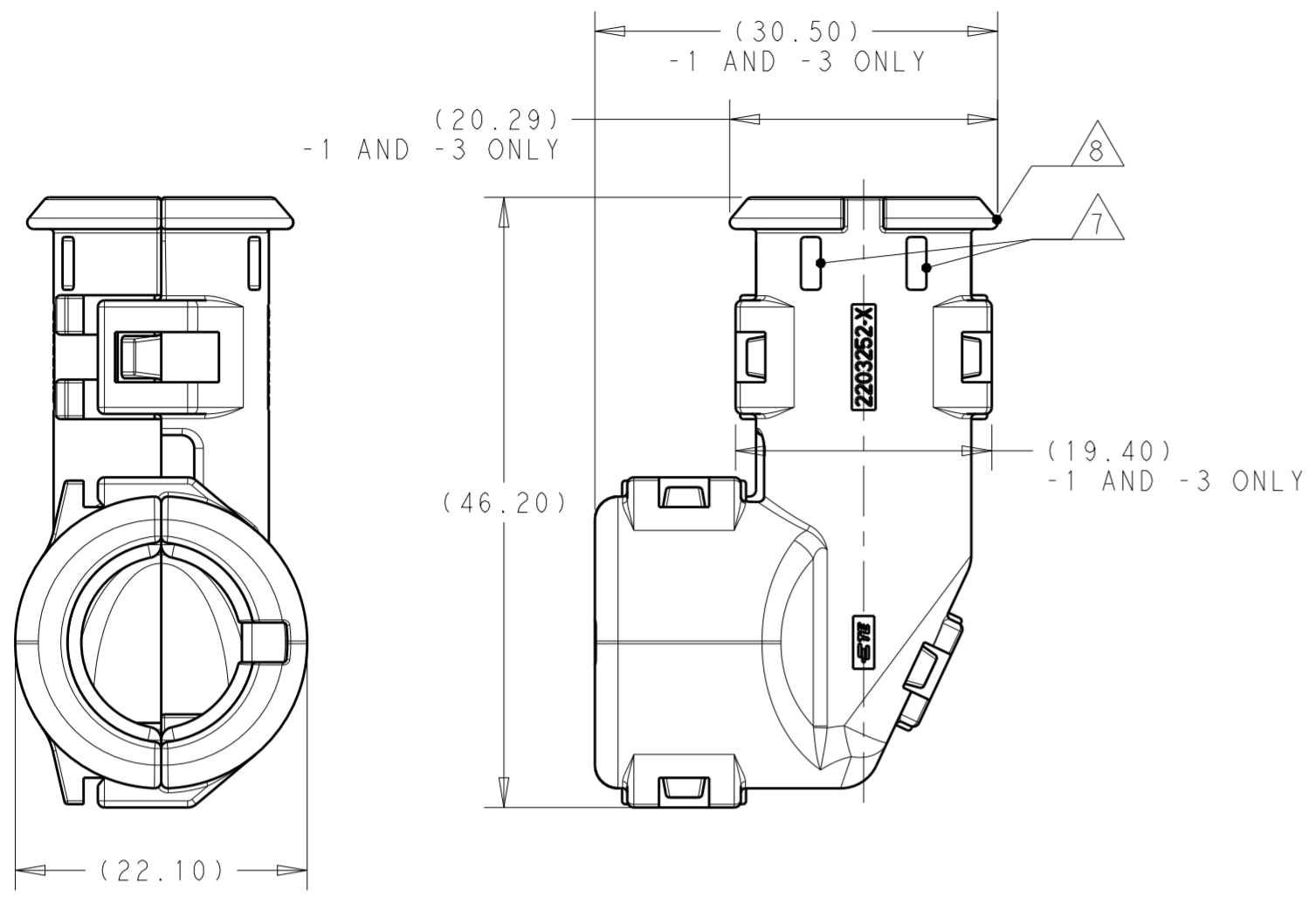
THIS DRAWING IS A CONTROLLED DOCUMENT.

DIMENSIONS: mm [INCHES]	TOLERANCES UNLESS OTHERWISE SPECIFIED: 0 PLC ± 1 PLC ± 2 PLC ± 3 PLC ± 4 PLC ± ANGLES ± FINISH	DWN J. MCNEAL 21MAY2015 CHK R. BALTER 21MAY2015 APVD R. BALTER 21MAY2015	NAME ELBOW, 4 AND 6 POSITION ASSEMBLY AMPSEAL 16
MATERIAL - 1		PRODUCT SPEC - APPLICATION SPEC - WEIGHT 6 -	SIZE A200779
		CUSTOMER DRAWING	RESTRICTED TO -
		SCALE 2:1	SHEET 1 OF 2

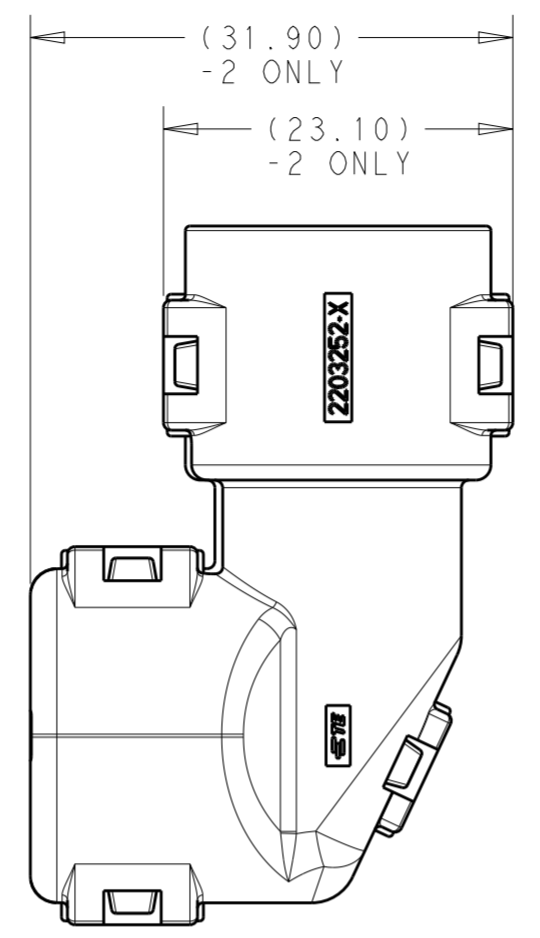
STE TE Connectivity

THIS DRAWING IS UNPUBLISHED. RELEASED FOR PUBLICATION 20  
 © COPYRIGHT 20 BY - ALL RIGHTS RESERVED.

REVISIONS				
P	LTR	DESCRIPTION	DATE	APVD
-	-	SEE SHEET 1	-	-

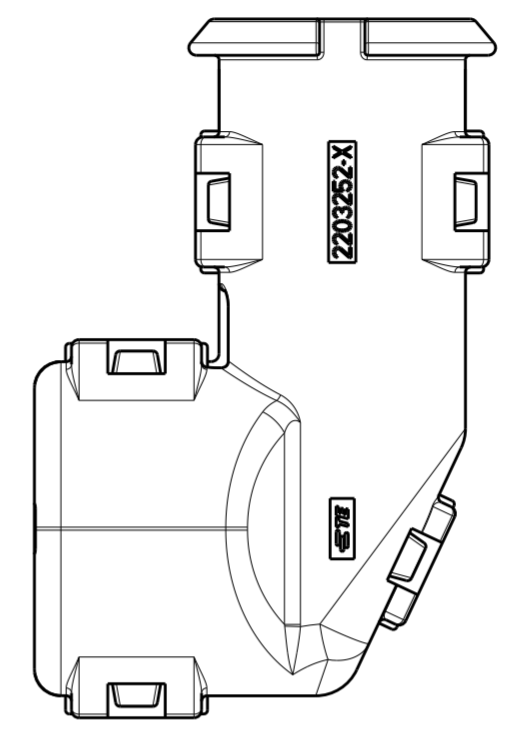


2292850-1  
 ASSEMBLED VIEW SHOWN  
 DIMENSIONS SHOWN TYPICAL FOR ALL PART NUMBERS  
 EXCEPT AS NOTED

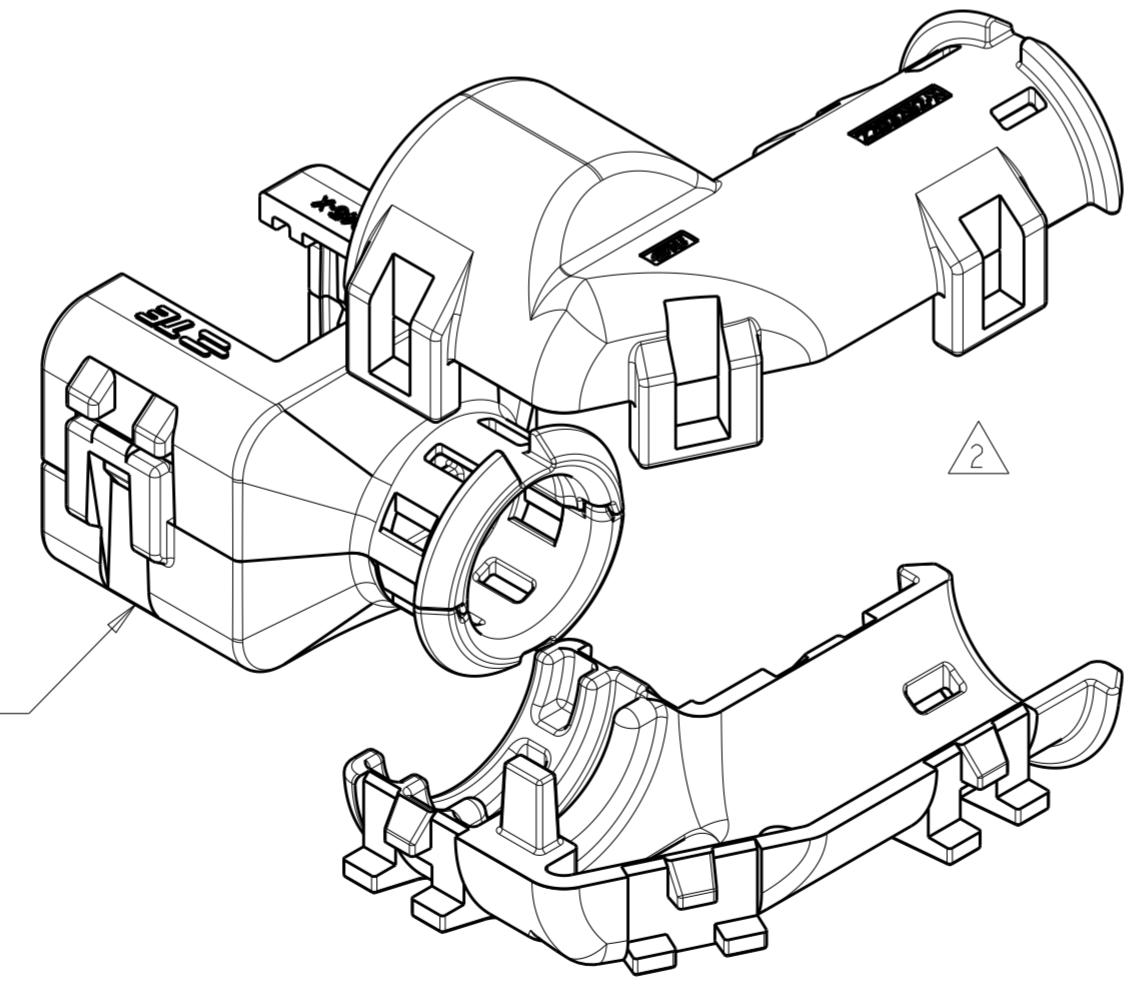


2292850-2  
 ASSEMBLED VIEW SHOWN

DIMENSIONS SHOWN TYPICAL FOR -2 ONLY



2292850-3  
 ASSEMBLED VIEW SHOWN



2292850-1  
 WITH PLUG ASSEMBLY  
 EXPLODED ISOMETRIC VIEW SHOWN  
 ASSEMBLY TYPICAL FOR ALL PART NUMBERS

THIS DRAWING IS A CONTROLLED DOCUMENT.		DWN J. MCNEAL 21MAY2015	TE Connectivity	
DIMENSIONS: mm [INCHES]		CHK R. BALTER 21MAY2015		
TOLERANCES UNLESS OTHERWISE SPECIFIED:		APVD R. BALTER 21MAY2015	NAME ELBOW, 4 AND 6 POSITION ASSEMBLY AMPSEAL 16	
0 PLC ±	1 PLC ±	PRODUCT SPEC	SIZE	RESTRICTED TO
2 PLC ±	3 PLC ±	APPLICATION SPEC	A200779	-
4 PLC ±	ANGLES ±	WEIGHT	CAGE CODE	DRAWING NO
FINISH		CUSTOMER DRAWING	G-2292850	SCALE 2:1 SHEET 2 OF 2 REV A

单击下面可查看定价，库存，交付和生命周期等信息

[>>TE Connectivity\(泰科\)](#)