

THIS DRAWING IS UNPUBLISHED.

RELEASED FOR PUBLICATION

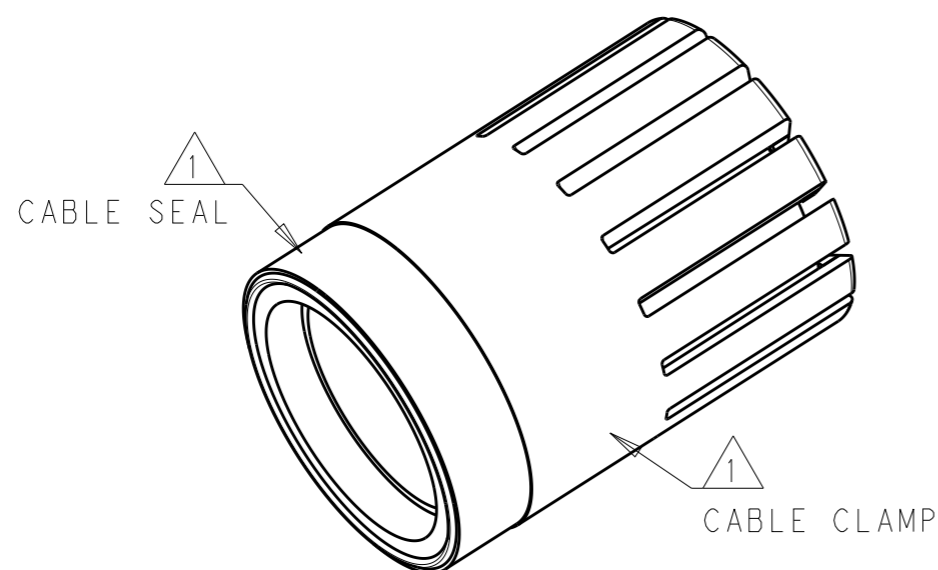
20

© COPYRIGHT 20 BY -

ALL RIGHTS RESERVED.

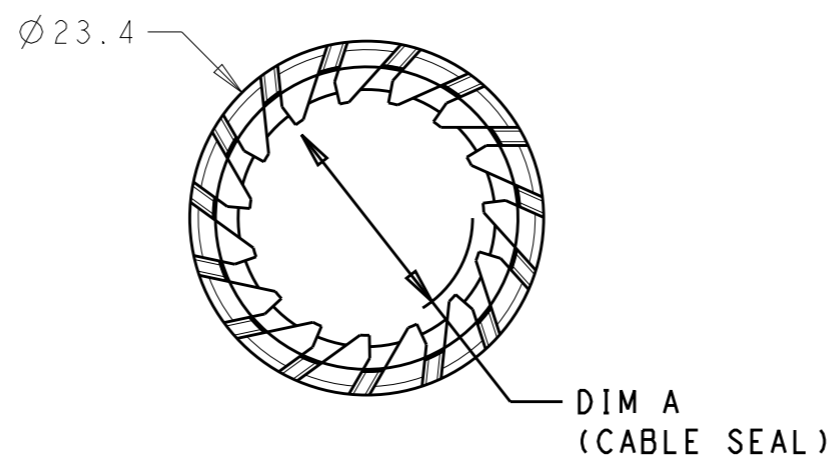
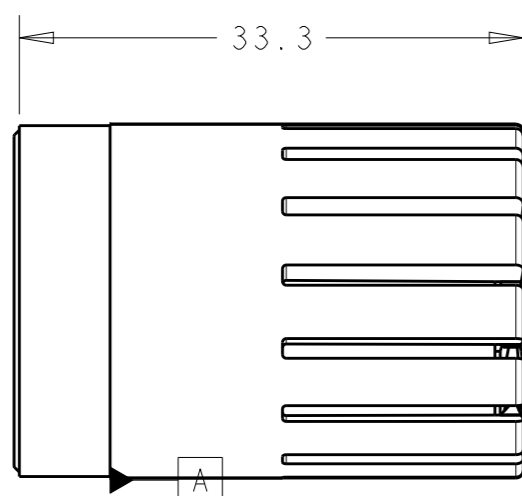
REVISIONS

P	LTR	DESCRIPTION	DATE	DWN	APVD
	A	REVISED AS PER ECR-15-005925	21APR2015	RS	JL



NOTES:

- 1 MATERIALS:
 CABLE SEAL-THERMOPLASTIC ELASTOMER (TPE),
 COLOR BLACK
 CABLE CLAMP-GLASS FILLED PBT,
 COLOR BLACK
- 2. MUST COMPLY WITH DIRECTIVE 2002/95/EC (ROHS)
- 3. THIS PRODUCT HAS NOT COMPLETED VALIDATION TESTING



14-17	17.0	2213351-2
11-14	14.0	2213351-1
CABLE DIA	DIA "A"	PART NO.

THIS DRAWING IS A CONTROLLED DOCUMENT.		DWN J. SHAFFER 13NOV2013	TE Connectivity													
DIMENSIONS: mm		CHK M. LUKSIC 13NOV2013														
TOLERANCES UNLESS OTHERWISE SPECIFIED:		APVD M. LUKSIC 13NOV2013														
<table border="0"> <tr> <td>0 PLC</td> <td>±-</td> </tr> <tr> <td>1 PLC</td> <td>±0.2</td> </tr> <tr> <td>2 PLC</td> <td>±0.13</td> </tr> <tr> <td>3 PLC</td> <td>±-</td> </tr> <tr> <td>4 PLC</td> <td>±-</td> </tr> <tr> <td>ANGLES</td> <td>±-</td> </tr> </table>		0 PLC			±-	1 PLC	±0.2	2 PLC	±0.13	3 PLC	±-	4 PLC	±-	ANGLES	±-	PRODUCT SPEC 108-133014
0 PLC	±-															
1 PLC	±0.2															
2 PLC	±0.13															
3 PLC	±-															
4 PLC	±-															
ANGLES	±-															
MATERIAL NOTE 1	FINISH -	APPLICATION SPEC 114-32111	WEIGHT -	<table border="1"> <tr> <td>NAME</td> <td colspan="3">CABLE CLAMP/SEAL ASSY, 5/6/7 POSN, NECTOR M-LINE, SEALED</td> </tr> <tr> <td>SIZE</td> <td>CAGE CODE</td> <td>DRAWING NO</td> <td>RESTRICTED TO</td> </tr> <tr> <td>A3</td> <td>-</td> <td>©-2213351</td> <td>-</td> </tr> </table>	NAME	CABLE CLAMP/SEAL ASSY, 5/6/7 POSN, NECTOR M-LINE, SEALED			SIZE	CAGE CODE	DRAWING NO	RESTRICTED TO	A3	-	©-2213351	-
NAME	CABLE CLAMP/SEAL ASSY, 5/6/7 POSN, NECTOR M-LINE, SEALED															
SIZE	CAGE CODE	DRAWING NO	RESTRICTED TO													
A3	-	©-2213351	-													
Customer Drawing		SCALE 1:1	SHEET 1 OF 1	REV A												

单击下面可查看定价，库存，交付和生命周期等信息

[>>TE Connectivity\(泰科\)](#)