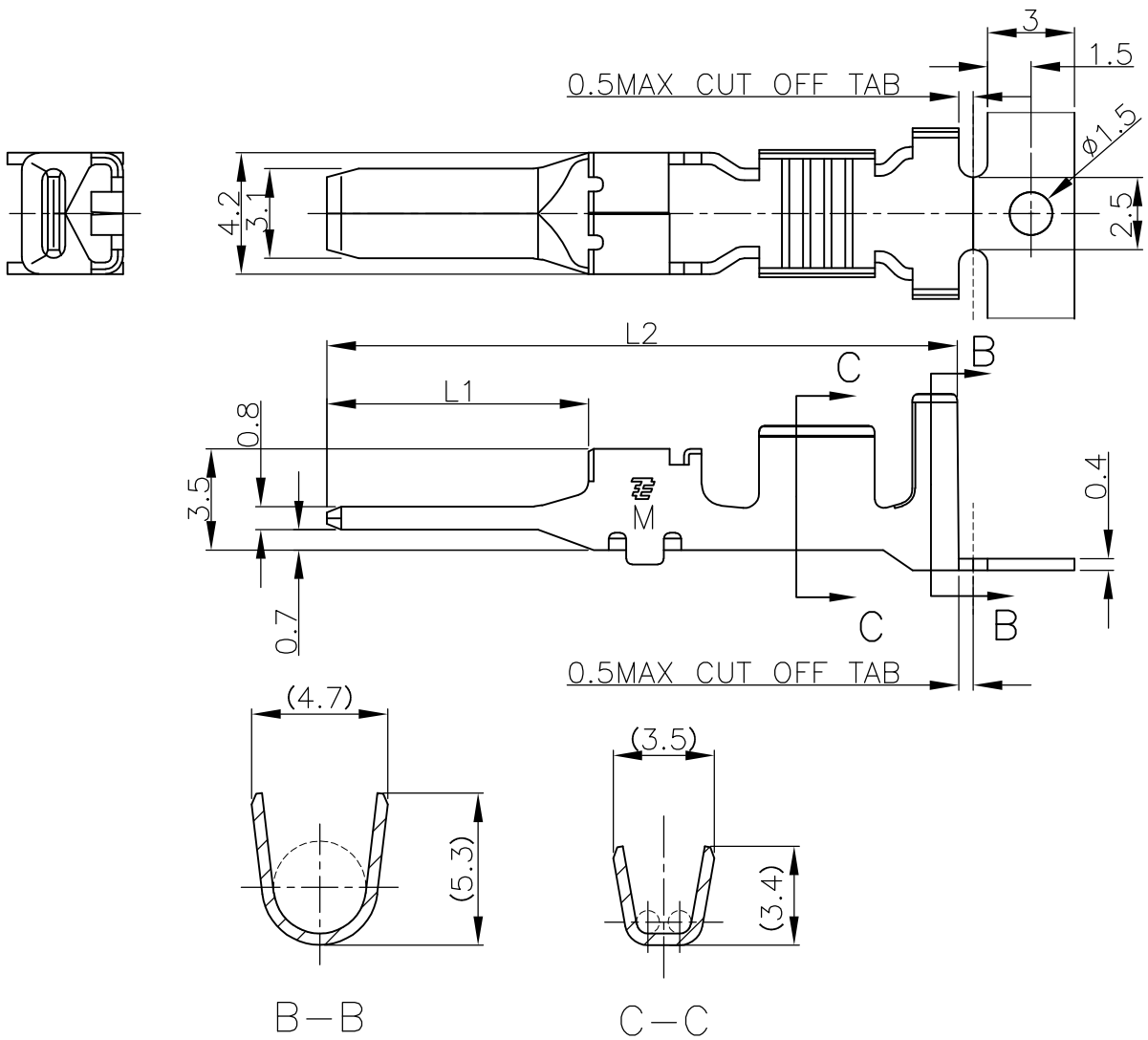


LOC J	DIST /	REVISIONS 変更			DATE	DWN	APVD
P	LTR	DESCRIPTION			10AUG2010	T.T	T.M
	A	REVISED ECR-10-016584					



M SIZE

1. 一般公差: ±0.25
2. 材料: 2材料: 銅合金全面Niめっき1.3μm以上
接点部金めっき0.38μm以上めっき
3. 適用電線: AWG#16-#14 (被覆外径 φ2.0~φ3.75)

1. GENERAL TOLERANCE: ±0.25
2. MATERIAL: COPPER ALLOY, FINISH: OVER NI PLATING 1.3um MIN.
(CONTACT AREA) 0.38um MIN GOLD PLATING
3. APPLICABLE WIRE: AWG#16-#14 (INS DIAφ2.0~φ3.75)

25.5	12.75	1-1747419-2
21.8	9.05	1747419-2
L2	L1	PART NUMBER

THIS DRAWING IS UNPUBLISHED.

ALL INTERNATIONAL RIGHTS RESERVED.

COPYRIGHT 2004 BY TYCO ELECTRONICS CORPORATION.

DIMENSIONS: 単位: 耗 mm	DWN T.KUDO	26AUG2004	MATERIAL 材料 COPPER ALLOY	FINISH 仕上 -
	CHK D.MITSUGI	26AUG2004	Tyco Electronics Corporation Kawasaki, Japan	
TOLERANCES UNLESS OTHERWISE SPECIFIED: 一般公差	APVD D.MITSUGI	26AUG2004		
	0 PLC ± -	PRODUCT SPEC 製品規格 108-78182	SIZE A4	CAGE CODE 00779
1 PLC ± -	APPLICATION SPEC 取付適用規格 114-5369	WEIGHT	RESTRICTED TO	
2 PLC ± -			CUSTOMER DRAWING	
3 PLC ± -			SCALE 尺度 4:1	SHEET 1 OF 1
4 PLC ± -				REV A
ANGLES ± -				

单击下面可查看定价，库存，交付和生命周期等信息

[>>TE Connectivity\(泰科\)](#)