

REVISIONS					
P	LTR	DESCRIPTION	DATE	DWN	APVD
	D	REVISED	26FEB2014	BC	RP
	E	REVISED PER ECO-19-009248	11JUL2019	AP	SY

1. SEE RESTRICTED CUSTOMER DRAWING 2065917-R.

20


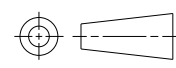
RELEASED FOR PUBLICATION

ALL RIGHTS RESERVED.

THIS DRAWING IS UNPUBLISHED.

BY -

© COPYRIGHT 20

DIMENSIONS: mm		DWN W SOURBEER 22FEB2010	MATERIAL -	FINISH SEE TABLE	
TOLERANCES UNLESS OTHERWISE SPECIFIED: 0 PLC ±- 1 PLC ±- 2 PLC ±- 3 PLC ±- 4 PLC ±- ANGLES ±-		CHK R PATTERSON 22FEB2010	 TE Connectivity		
		APVD R PATTERSON 22FEB2010			
		PRODUCT SPEC -	NAME HEADER ASSEMBLY, OPEN ENDED, 4 PAIR 10 COLUMN		
		APPLICATION SPEC -	SIZE A4	CAGE CODE 00779	DRAWING NO C-2065917
		WEIGHT -	RESTRICTED TO -		
		Customer Drawing		SCALE 10:1	SHEET 1 OF 1
				REV E	

单击下面可查看定价，库存，交付和生命周期等信息

[>>TE Connectivity\(泰科\)](#)