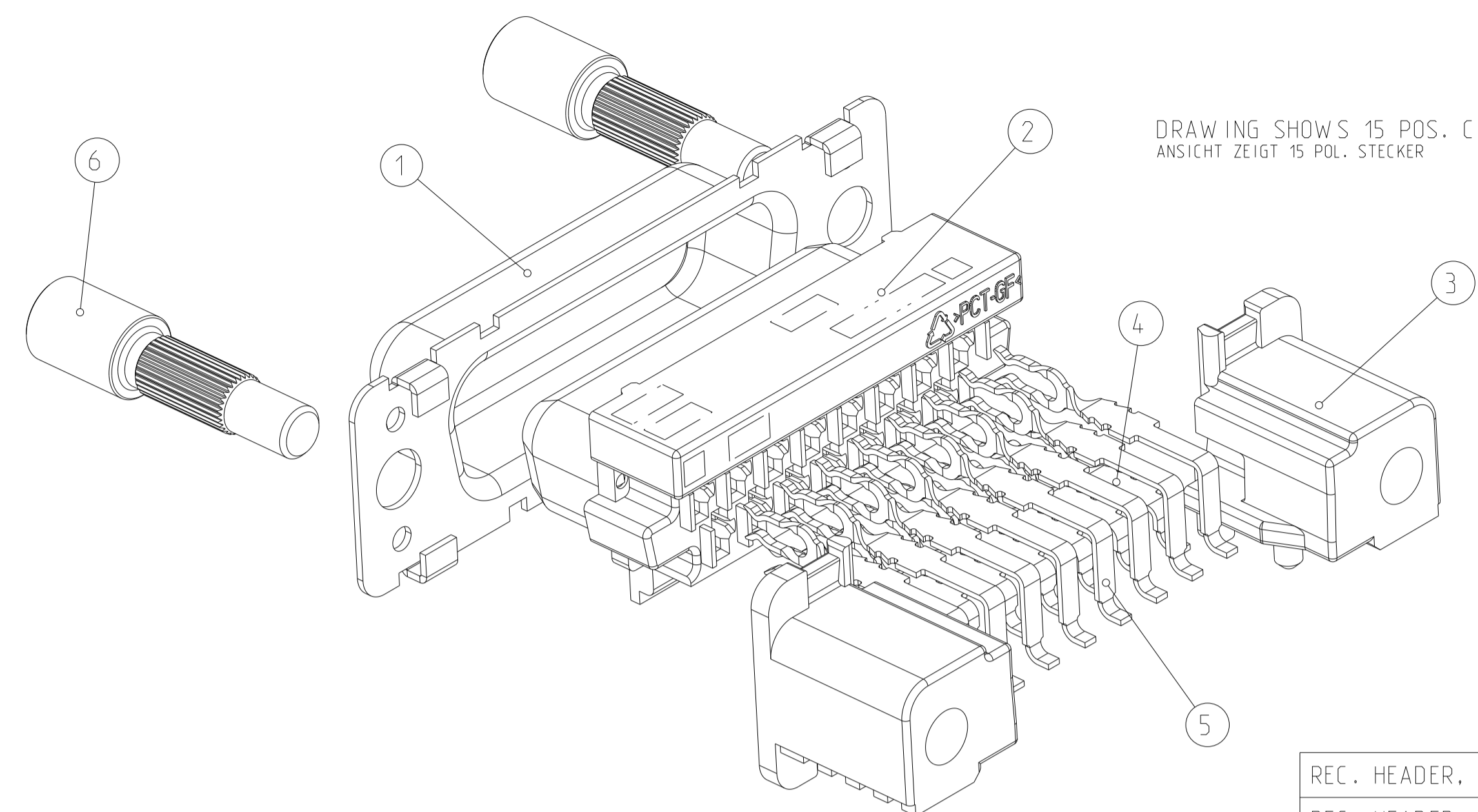
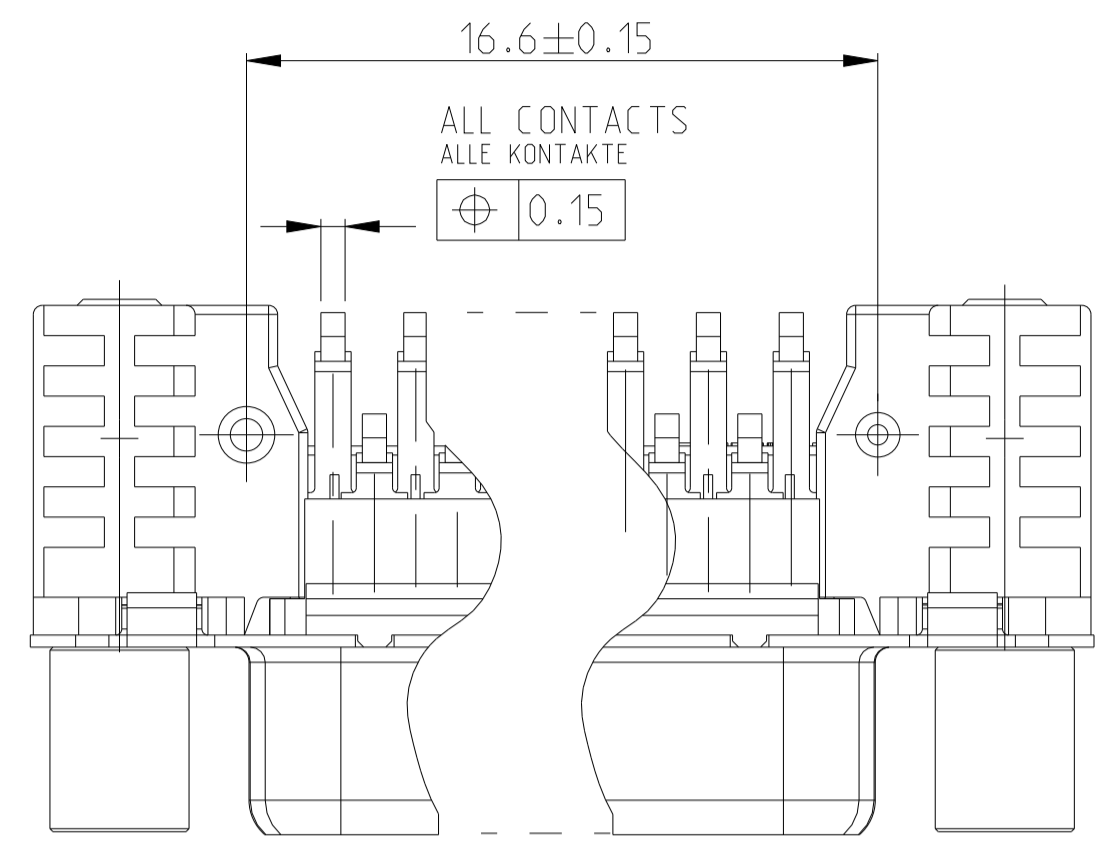
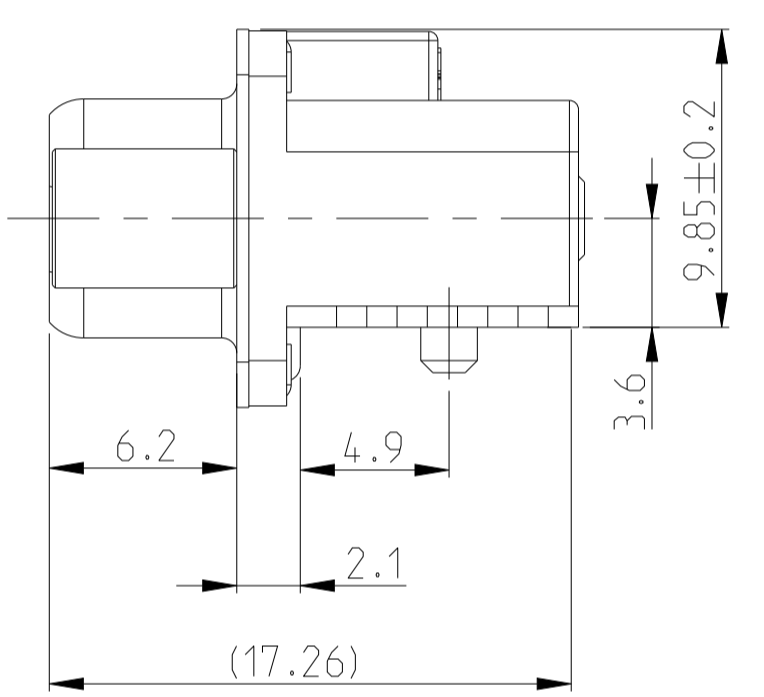
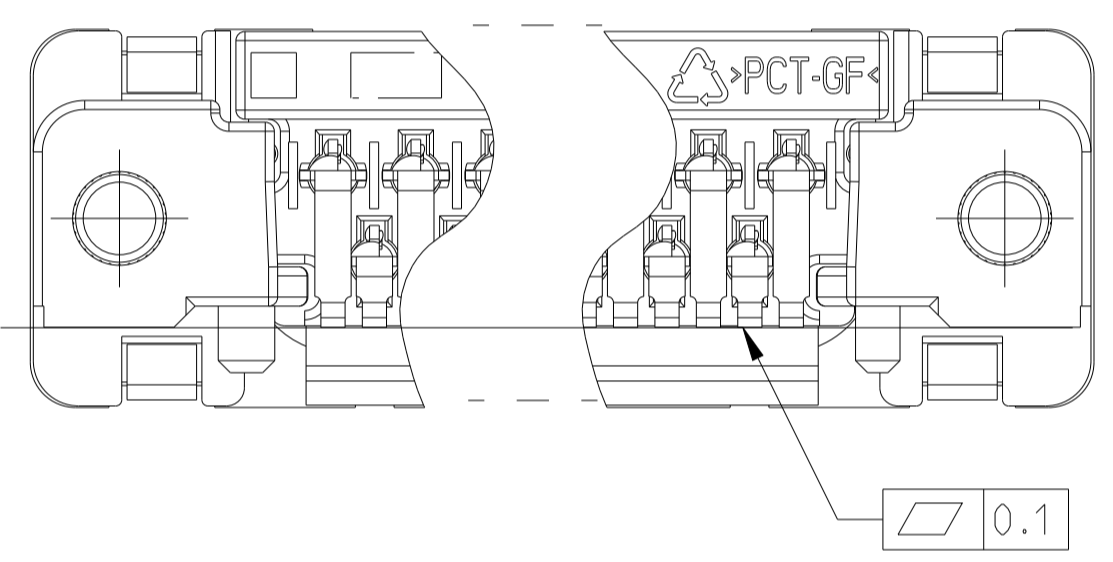


LOC	DIST	REV	LTN	REVISIONS ÄNDERUNGEN	DATE	DWN	APVD
A1	-	D1		REVISED PER ECO-11-005294	21MAR2011	RK	HMR
		E1		ECR-21-104031	06OCT2021	RR	SZ

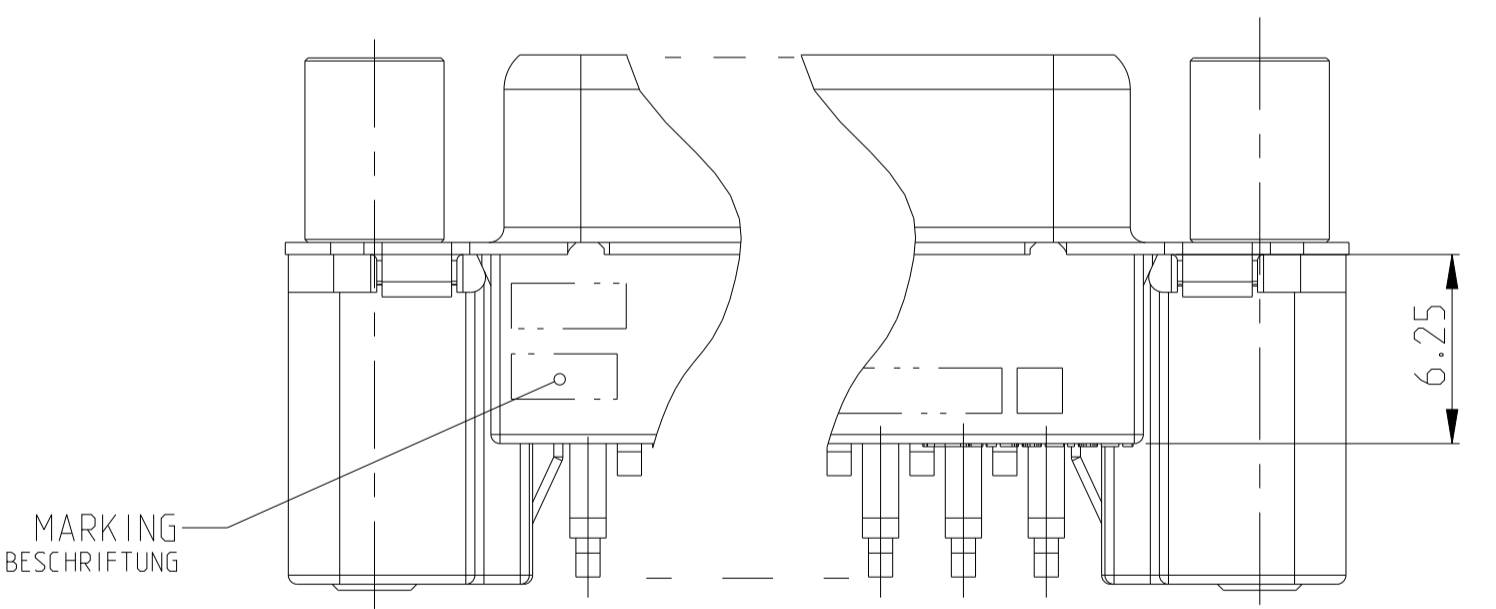
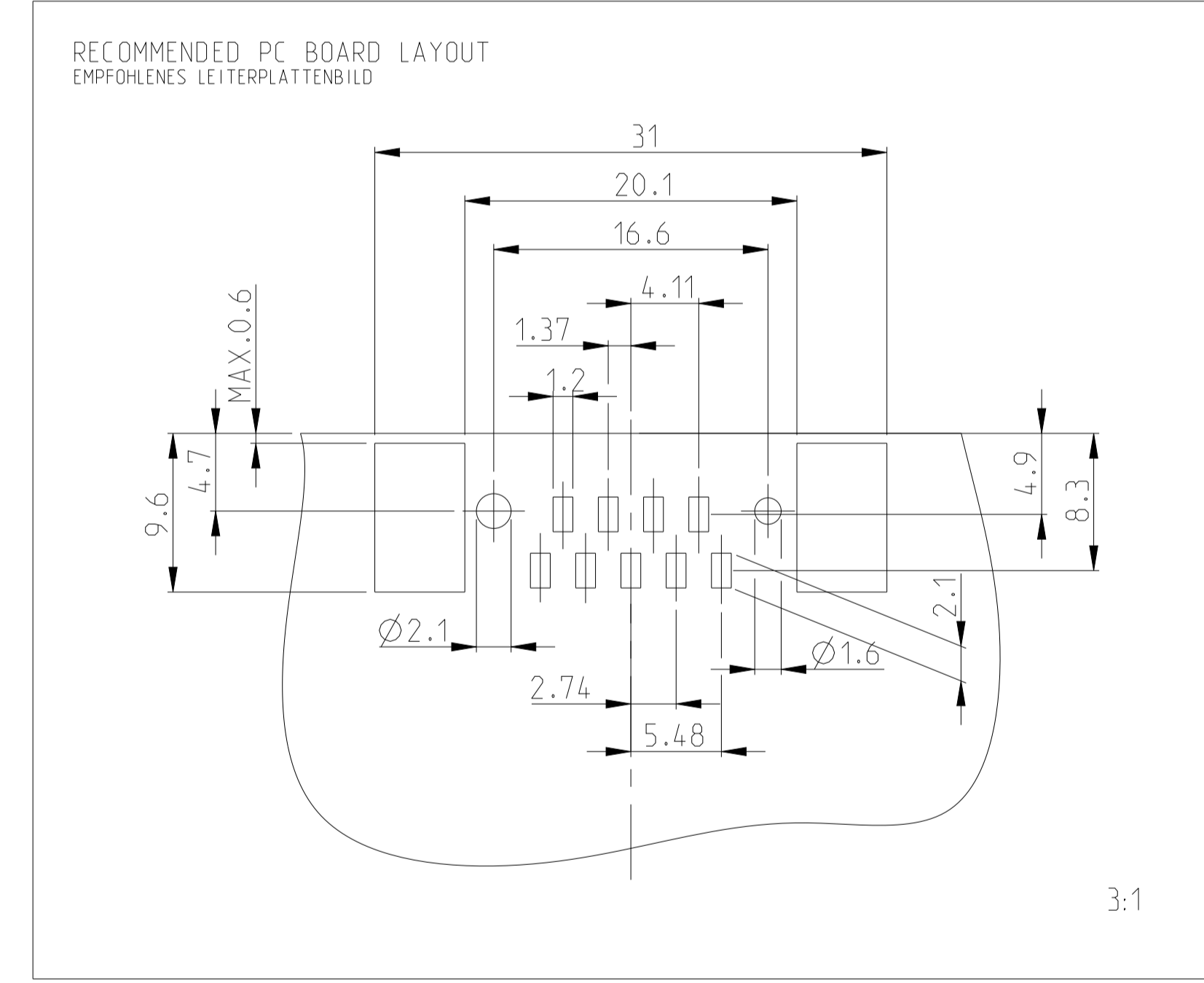


DRAWING SHOWS 15 POS. CONNECTOR  
 ANSICHT ZEIGT 15 POL. STECKER



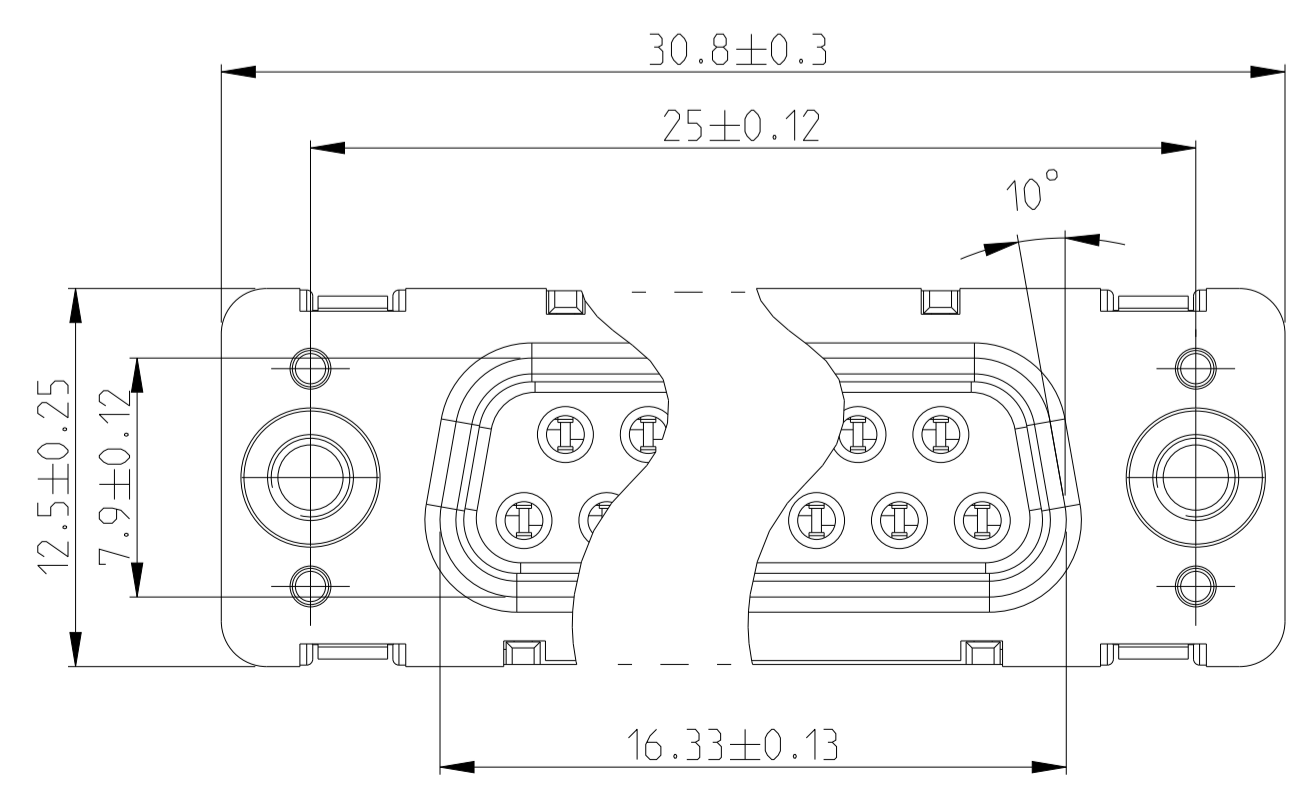
DESCRIPTION	SHELL PLATING: TIN OVER Ni	SHELL PLATING: Ni
REC. HEADER, 9 POS., STUD WITH THREAD M3	4-1740194-2	4-1740194-5
REC. HEADER, 9 POS., BRACKET WITH THREAD M3	2-1740194-2	2-1740194-5
<del>REC. HEADER, 9 POS., STUD WITH THREAD UNC 4/40</del>	<del>3-1740194-2</del>	<del>3-1740194-5</del>
<del>REC. HEADER, 9 POS., BRACKET WITH THREAD UNC 4-40</del>	<del>1-1740194-2</del>	<del>1-1740194-5</del>
<del>REC. HEADER, 9 POS., BRACKET WITH HOLE Ø3.1</del>	<del>0-1740194-2</del>	<del>0-1740194-5</del>

~~OBSELETE~~  
~~OBSELETE~~  
~~OBSELETE~~



REMARKS:  
 ⚠ CONTACT AREA: MIN. 0.8 μm Au OVER 1.27 μm Ni.  
 SOLDER AREA: 3-5 μm Sn OVER MIN. 1.27 μm Ni  
 2 PACKAGING SEE SHEET 2  
 3 CONNECTOR SUITABLE FOR LEAD-FREE SMT SOLDER PROCESS  
 ⚠ TIN OVER NICKEL

BEMERKUNGEN:  
 ⚠ KONTAKTBEREICH: MIN. 0.8 μm Au UEBER 1.27 μm Ni.  
 LOETBEREICH: 3-5 μm Sn UEBER MIN. 1.27 μm Ni  
 2 VERPACKUNGSART SIEHE BLATT 2  
 3 STECKER GEEIGNET FUER BLEIFREIES SMT LOETEN  
 ⚠ ZINN UEBER NICKEL



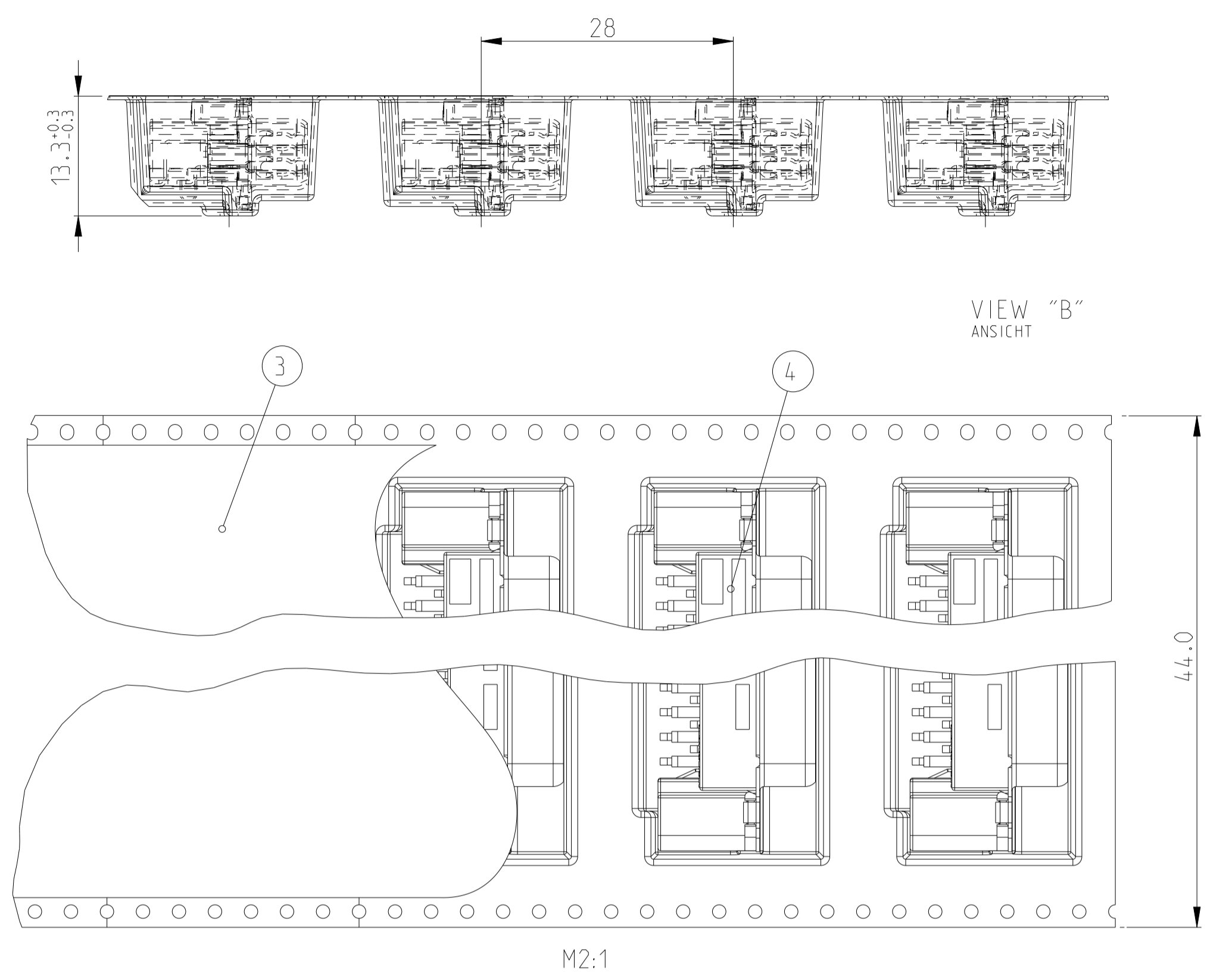
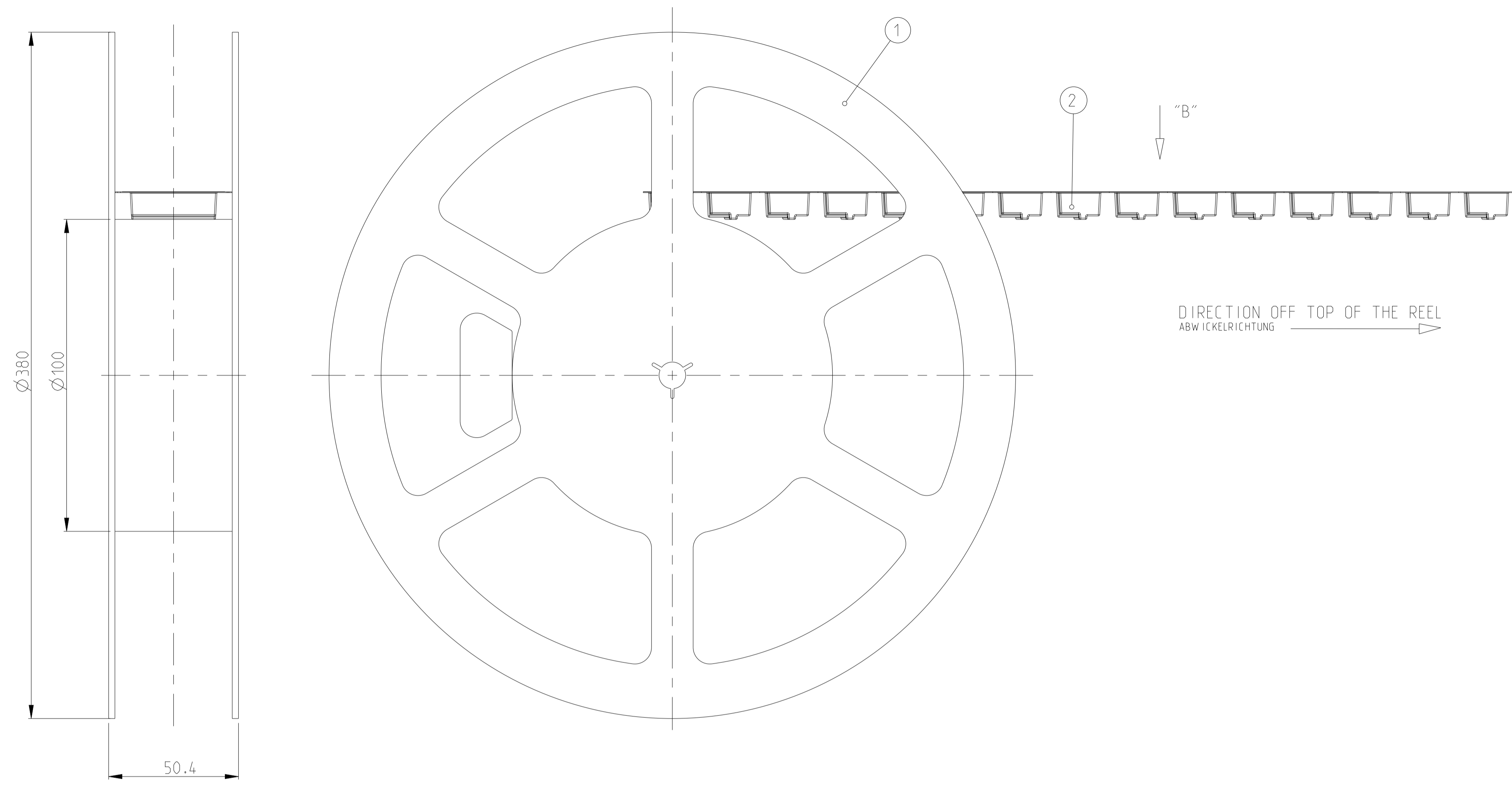
POS.	QTY.	DESCRIPTION BENENNUNG	SURFACE OBERFLAECHE COLOUR/FARBE	MATERIAL
6	2	THREAD STUD GEWINDEBOLZEN	NICKEL	STEEL STAHL
5	5	REC. CONTACT, SMD, LONG BUCHSENKONTAKT, SMD, LANG	⚠	CuMg
4	4	REC. CONTACT, SMD, SHORT BUCHSENKONTAKT, SMD, KURZ	⚠	CuMg
3	2	BRACKET, SMD, LEFT/RIGHT WINKELSTUECK, SMD, LINKS/RECHTS	⚠	CAST METAL DRUCKGUSS
2	1	REC. HOUSING BUCHSENGEHAUE	BLACK SCHWARZ	PCT-GF
1	1	SHELL SCHIRMBLECH	SEE TABLE SIEHE TABELLE	STEEL STAHL

THIS DRAWING IS A CONTROLLED DOCUMENT.  
 DIESES ZEICHNUNGSDOKUMENT IST EIN KONTROLLIERTES DOKUMENT.  
 ANFORDERUNG: DIESE ZEICHNUNGSDOKUMENTE SIND UNVERAENDERLICH ZU HALTEN UND VERWALTEN.  
 THE DRAWING IS UNPUBLISHED.  
 VERBODEN TOEGANG TOEGANG

OWNER M. SCHWAIBSCHMIDT	DATE 01 DEC 2004	NAME HDP20 REC. HEADER, SMT, 9POS. HDP20 BUCHSENSTECKER, SMT, 9POL. EUROSTYLE
DESIGNED BY G. FELDMAYER	DATE 01 DEC 2004	SCALE 4:1
PRODUCT SPEC 108-94.000	APPLICATION SPEC	SHEET 1 OF 2
WEIGHT -	CAGE CODE 00779	REV E1
FINISH/SURFACE COLOUR SEE TABLE	SCALE 4:1	

TE Connectivity  
 CUSTOMER DRAWING /KUNDENZEICHNUNG

LOC		DIST		REVISIONS			
A1	-	P	LTN	DESCRIPTION	DATE	DWN	APVD
		-		SEE SHEET 1	-	-	-



**REMARKS:**

- COVER TAPE WITH BLISTER BELT WELDED OR PASTED
- BLISTER BELT, COVER AND TAPE ACC. TO DIN/IEC 286 PART 3
- FIRST AND LAST RUNNING OF THE CARRIER TAPE ACC. TO DIN/IEC 286 PART 3
- 7m BLISTERBELT AND 7.1m COVER TAPE, 225 LOOSE PIECE PARTS

**BEMERKUNGEN:**

- ABDECKBAND MIT BLISTERGURT VERSCHWEISST ODER VERKLEBT
- BLISTERGURT, ABDECKBAND UND REEL NACH DIN/IEC 286 TEIL 3
- VOR- UND NACHLAUF AM BLISTERGURT NACH DIN/IEC 286 TEIL 3
- 7m BLISTERGURT UND 7.1m ABDECKBAND, 225 EINZELTEILE

ORDER NO. BESTELL-NR.	POS.	PARTS						DESCRIPTION BENENNUNG	SURFACE OBERFLAECHE COLOUR/FARBE	MATERIAL
		4-1740194-2	3-1740194-2	2-1740194-2	1-1740194-2	0-1740194-2	4-1740194-5			
1740194	4	225	-	-	-	-	-	SUB-D REC. HEADER, 9 POS., STUD M3 SUB-D BUCHSENSTECKER, 9 POL., BOLZEN M3	-	-
	4	-	225	-	-	-	-	SUB-D REC. HEADER, 9 POS., STUD UNC4-40 SUB-D BUCHSENSTECKER, 9 POL., BOLZEN UNC4-40	-	-
	4	-	-	225	-	-	-	SUB-D REC. HEADER, 9 POS., M3 SUB-D BUCHSENSTECKER, 9 POL., M3	-	-
	4	-	-	-	225	-	-	SUB-D REC. HEADER, 9 POS., UNC4-40 SUB-D BUCHSENSTECKER, 9POL., UNC4-40	-	-
	4	-	-	-	-	225	-	SUB-D REC. HEADER, 9 POS. SUB-D BUCHSENSTECKER, 9POL.	-	-
	3	7.1m	7.1m	7.1m	7.1m	7.1m	7.1m	COVER BELT FOR BLISTER BELT ABDECKBAND FUER BLISTERGURT	TRANSPARENT	PET
	2	7m	7m	7m	7m	7m	7m	BLISTER BELT BLISTERGURT	GREY/BLACK GRAU/SCHWARZ	PS
1	1	1	1	1	1	1	REEL-PACKING MEHRWEGSPULE	GREY GRAU	PS	

THIS DRAWING IS A CONTROLLED DOCUMENT. DWN: L. SCHLUETER, 30NOV2004. CHK: M. SCHAARSCHEMIDT, 01DEC2004. APVD: G. ELDOMEIER, 01DEC2004.

DIMENSIONS: mm. TOLERANCES UNLESS OTHERWISE SPECIFIED: 0 PLC #, 1 PLC #, 2 PLC #, 3 PLC #, 4 PLC #, ANGLES #°. MATERIAL: SEE TABLE S-TABELLE. FINISH: SEE TABLE S-TABELLE.

TE Connectivity logo. NAME: HDP20 REC. HEADER, SMT, 9POS. HDP20 BUCHSENSTECKER, SMT, 9POL. EUROSTYLE. SIZE: A1. CAGE CODE: 00779. DRAWING NO: 1740194. SCALE: 1:1. SHEET: 2 OF 2. REV: E1.

单击下面可查看定价，库存，交付和生命周期等信息

[>>TE Connectivity\(泰科\)](#)