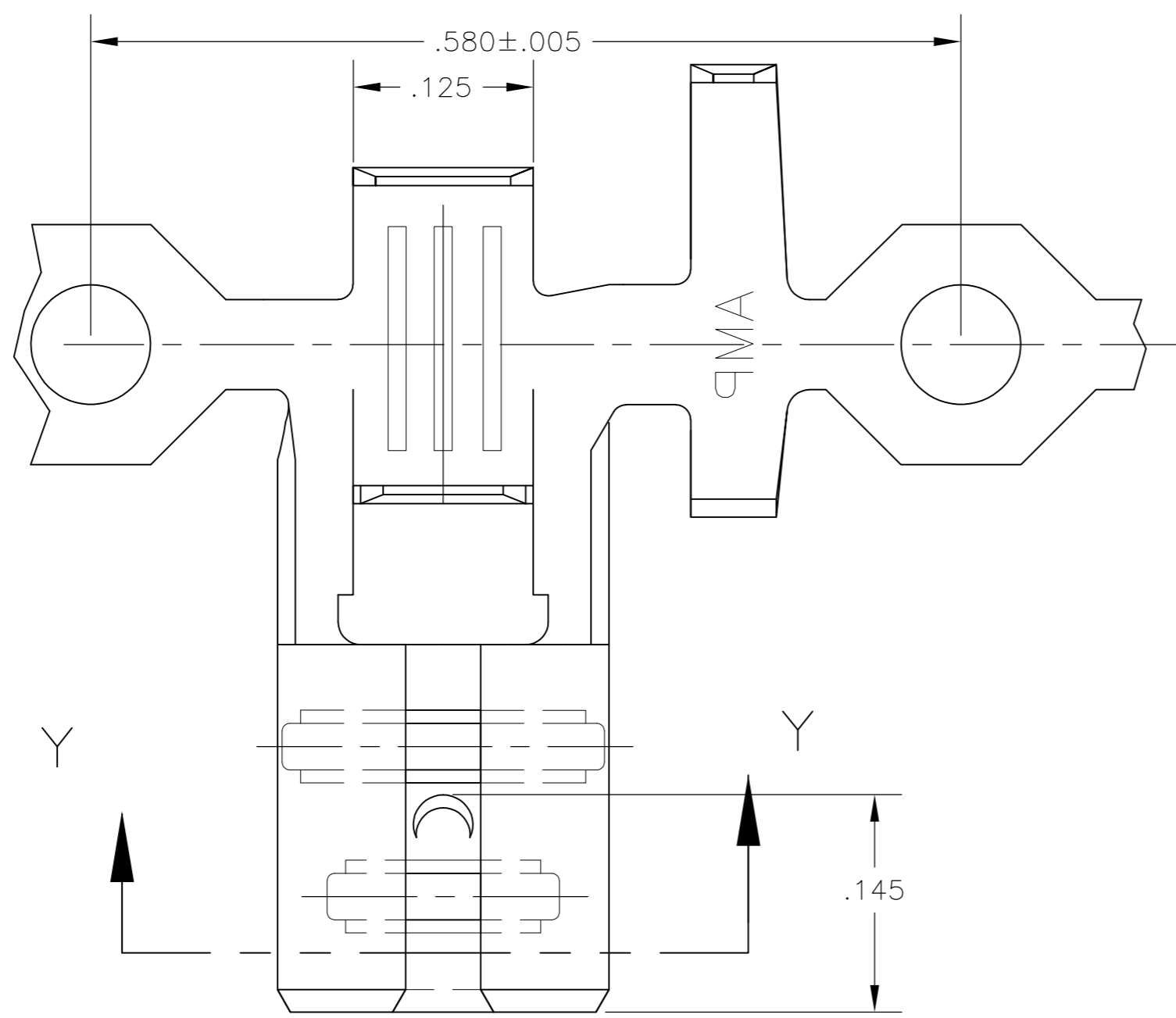
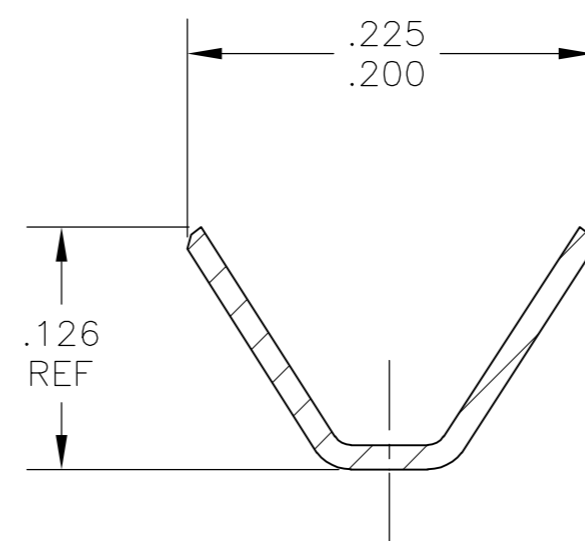


THIS DRAWING IS UNPUBLISHED. RELEASED FOR PUBLICATION
 © COPYRIGHT - By - ALL RIGHTS RESERVED.

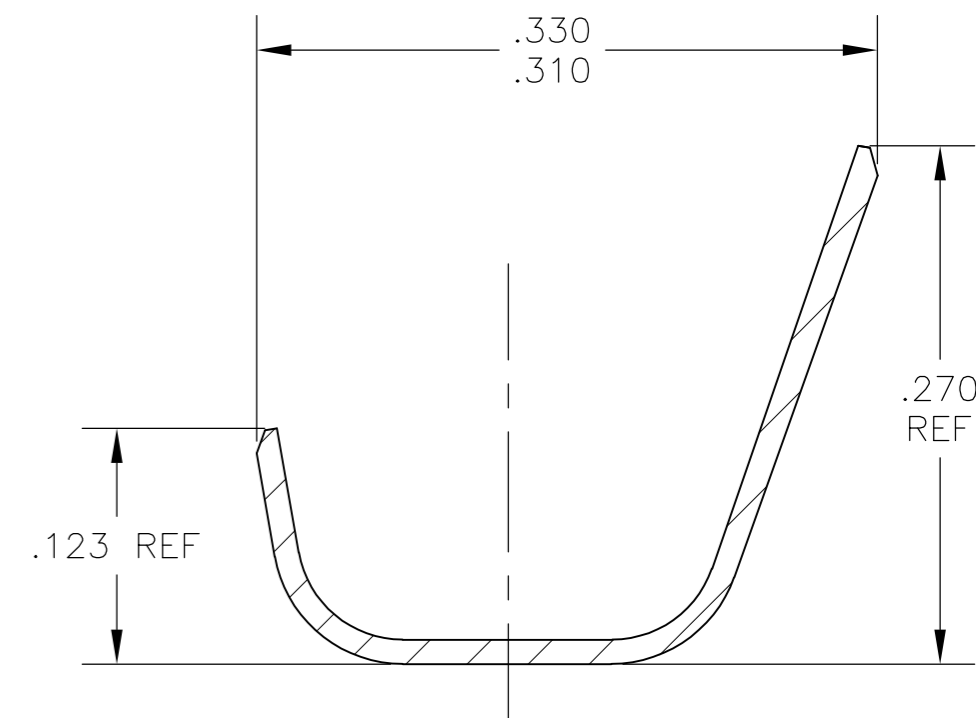
LOC	DIST	REVISIONS					
AF	14	P	LTR	DESCRIPTION	DATE	DWN	APVD
		H		REVISED PER ECR-12-013518	26NOV2012	KH	PD



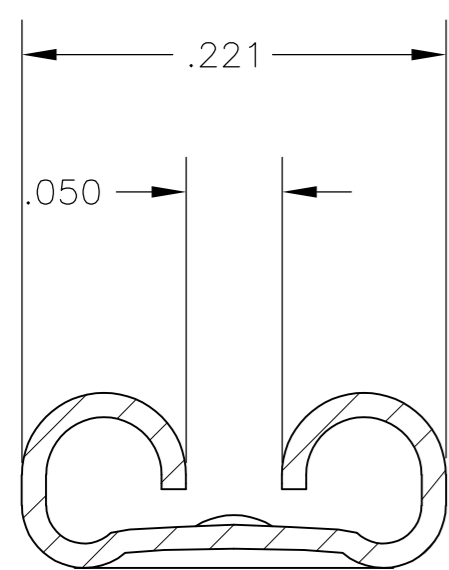
- 1 CONTINUOUS STRIP ON REELS
- 2 WIRE SIZE IS 18-14 OR TWO 18'S AWG
- 3 INSULATION RANGE IS .110-.150 DIA. OR TWO AT .110 MAX DIA.
- 4 MATING TAB THK IS .032±.001



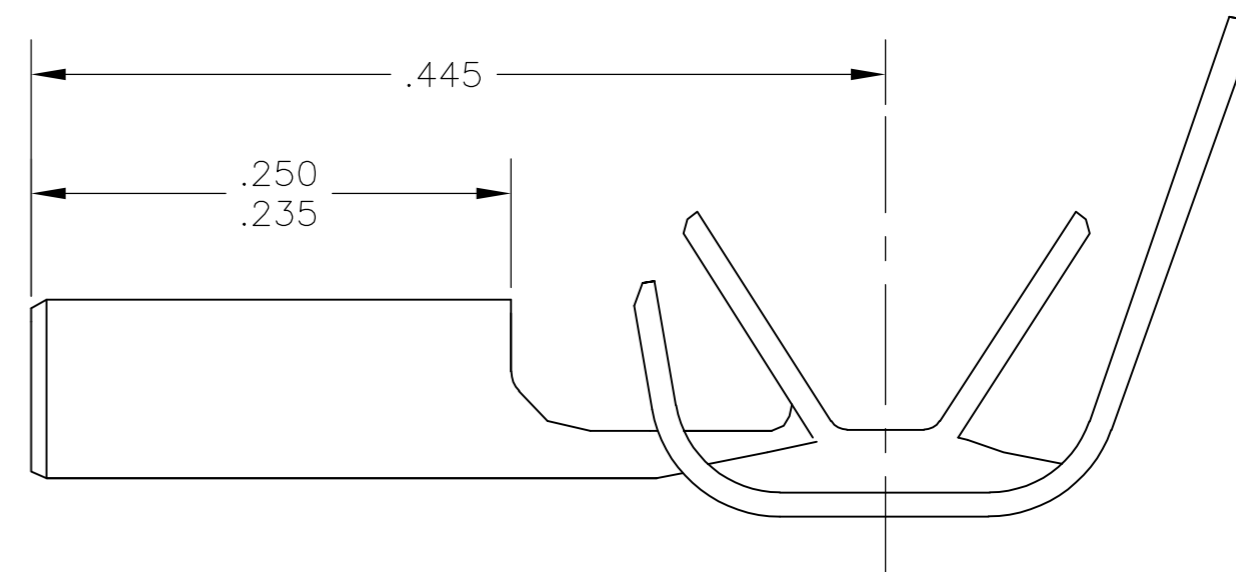
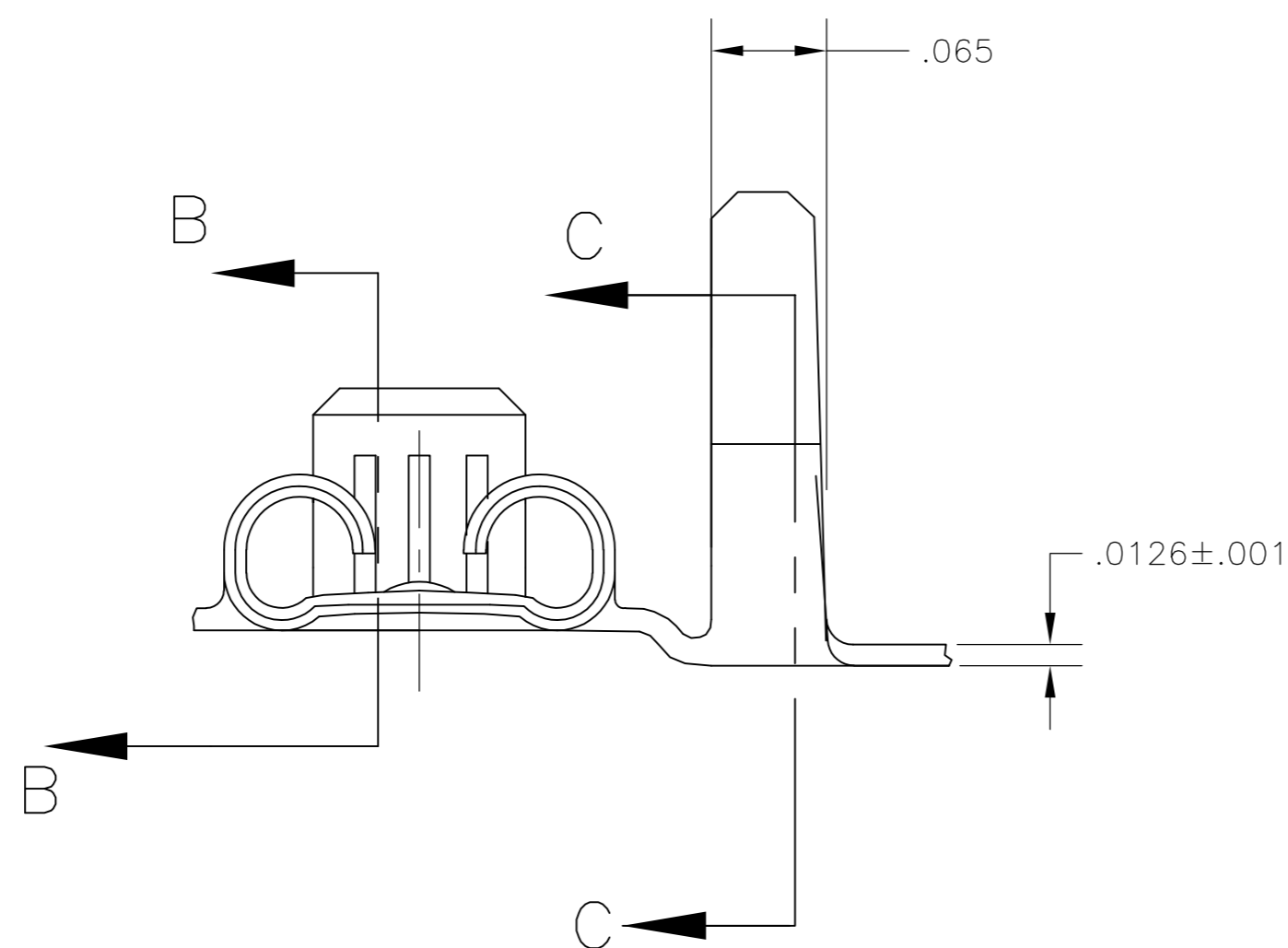
SECTION B-B



SECTION C-C



SECTION Y-Y



TIN	1742089-2
PLAIN	1742089-1
FINISH	PART NO

THIS DRAWING IS A CONTROLLED DOCUMENT.		DWN	JR RUTH	04mar04	 TE Connectivity RECEPTACLE, FASTON, FLAG, .187 SERIES		
DIMENSIONS:		CHK	P DESANTIS	04MAR04			
INCHES		APVD	P DESANTIS	04MAR04			
		PRODUCT SPEC		NAME			
TOLERANCES UNLESS OTHERWISE SPECIFIED:		APPLICATION SPEC		SIZE	CAGE CODE	DRAWING NO	RESTRICTED TO
0 PLC	± -	-		WEIGHT	-	A2 00779	C=1742089
1 PLC	± -	-		CUSTOMER DRAWING	SCALE	10:1	SHEET
2 PLC	± -	-					1 of 1
3 PLC	± .010	-					REV
4 PLC	± -	-					H
ANGLES	± 2°	-					
MATERIAL	BRASS	FINISH		-			

单击下面可查看定价，库存，交付和生命周期等信息

[>>TE Connectivity\(泰科\)](#)