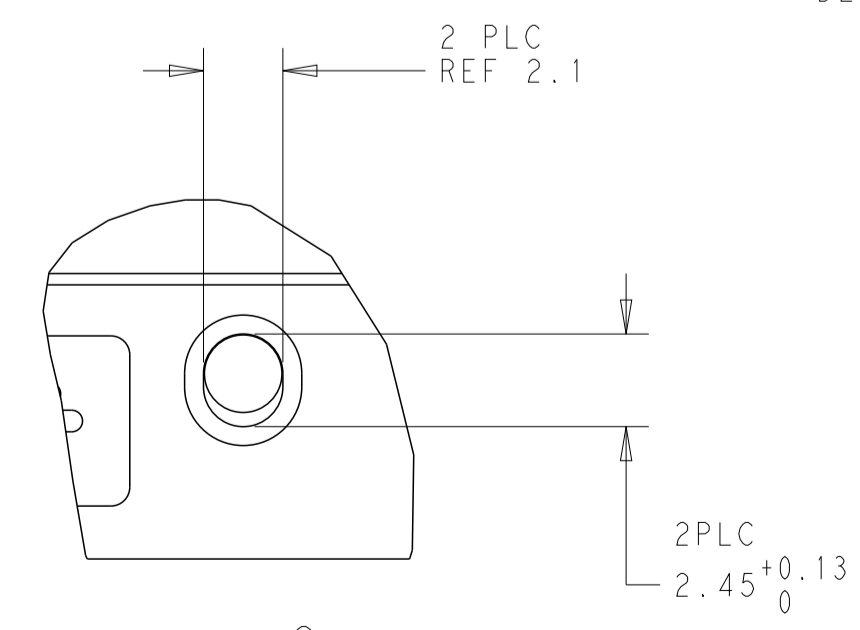
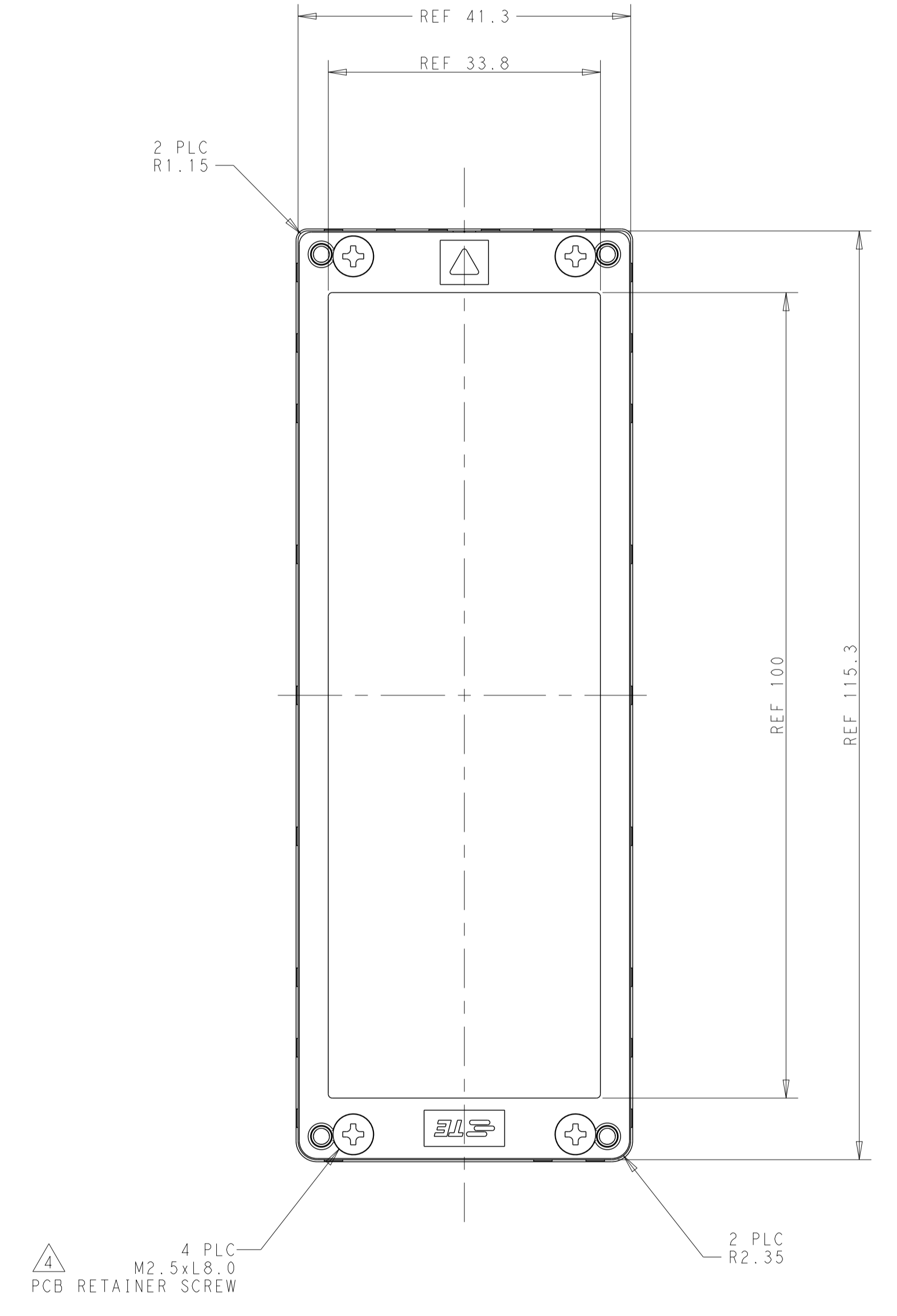
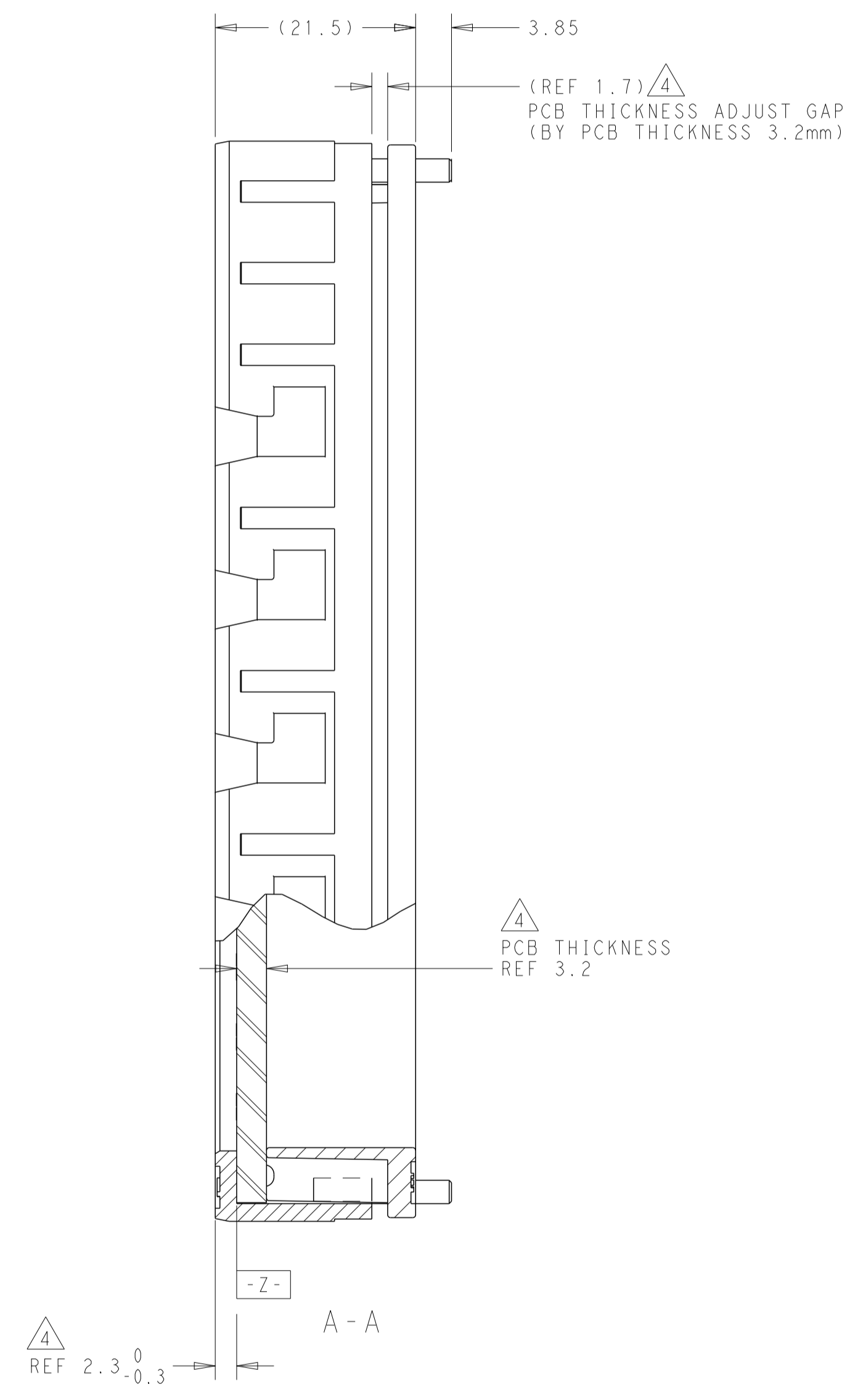
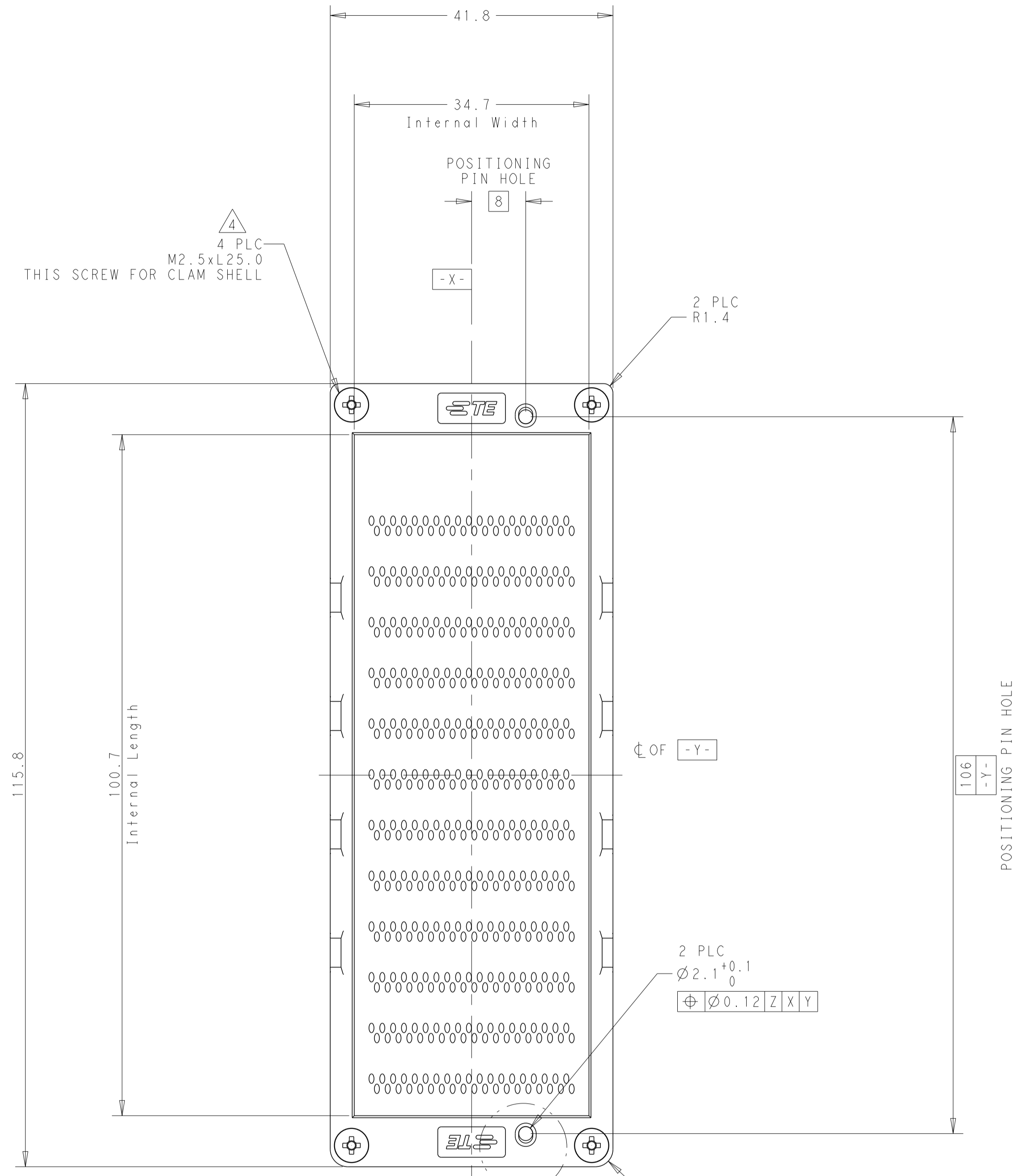


CONFIDENTIAL

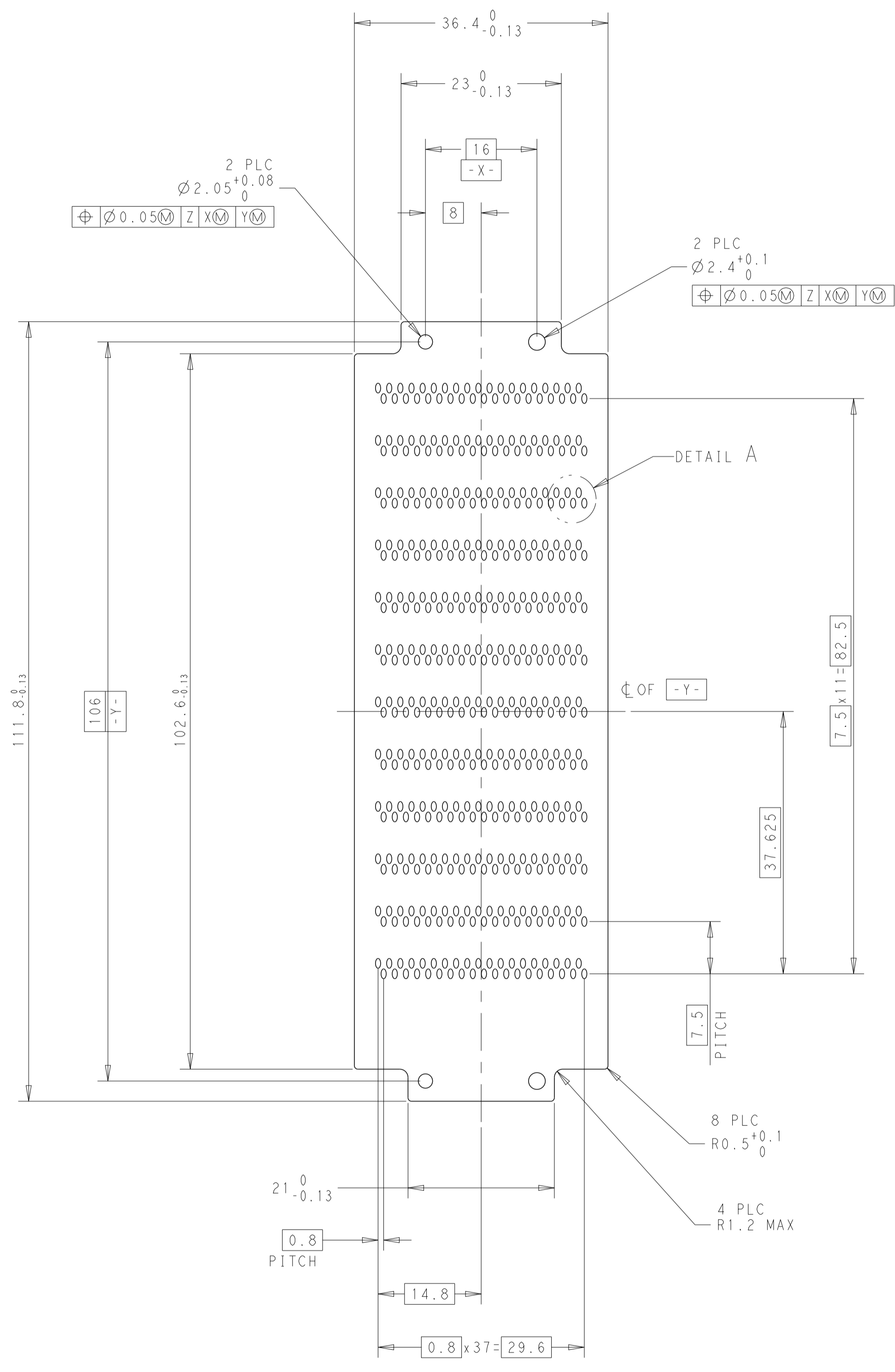
| REVISIONS | | | | |
|-----------|------|-------------|-----------|-------------|
| P. | LTN. | DESCRIPTION | DATE | APVD. |
| E | | REVISED | 09OCT2015 | Y. S. M. K. |
| F | | REVISED | 29OCT2015 | Y. S. M. K. |
| G | | REVISED | 14DEC2015 | Y. S. M. K. |
| H | | REVISED | 24DEC2015 | Y. S. M. K. |



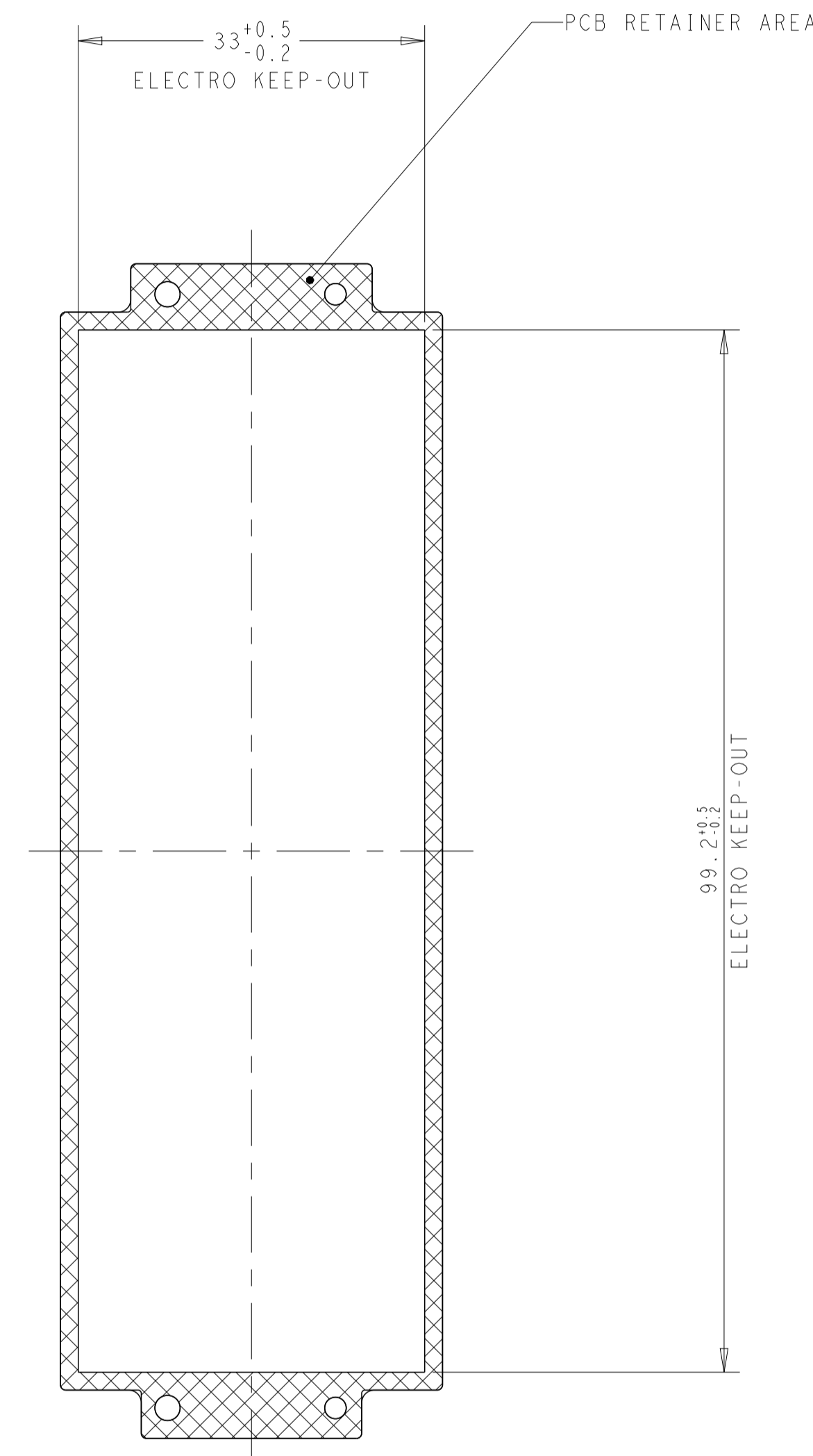
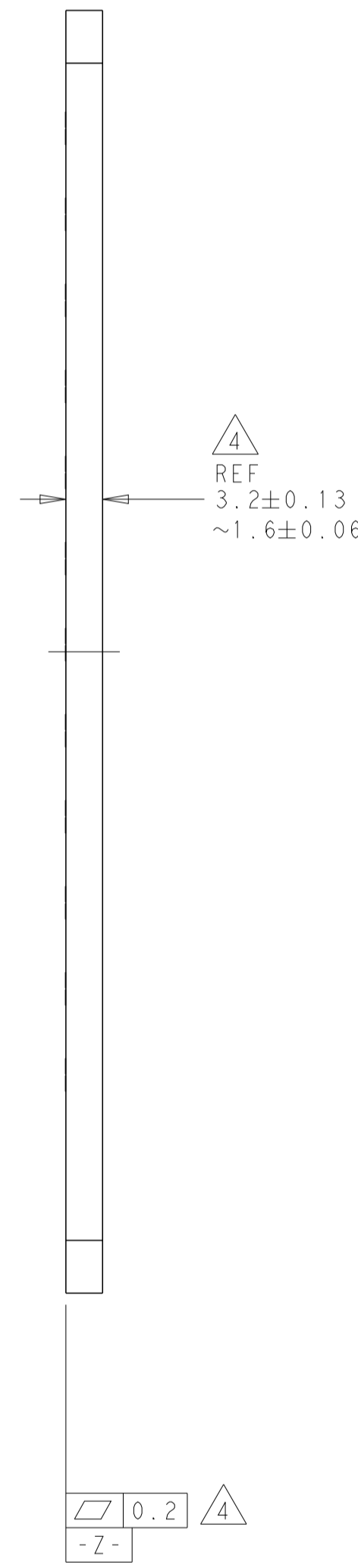
| | | | | |
|--|--|-------------------------------|--------------------------------|--|
| THIS DRAWING IS A CONTROLLED DOCUMENT. | | OWN Y. SASAKI 11MAR2014 | TE Connectivity | |
| DIMENSIONS: mm | | CHK M. KIMURA 11MAR2014 | APVD M. KIMURA 11MAR2014 | |
| TOLERANCES UNLESS OTHERWISE SPECIFIED: mm | | NAME M. KIMURA | PRODUCT SPEC 108-140047 | |
| 0-PLC ±0.3 | | APPLICATION SPEC 114-5518 | | |
| 1-PLC ±0.5 | | WEIGHT 100 G | | |
| 2-PLC ±0.13 | | SIZE A1 | | |
| 3-PLC ±0.013 | | CAGE CODE - | | |
| 4-PLC ±0.001 | | DRAWING NO C=2822672 | | |
| ANGLES ±0.5 | | CUSTOMER DRAWING | | |
| FINISH SEE SHEET 3 TABLE | | SCALE 2:1 | | |
| MATERIAL SEE SHEET 3 TABLE | | SHEET 1 OF 4 | | |
| | | REV H | | |

CONFIDENTIAL

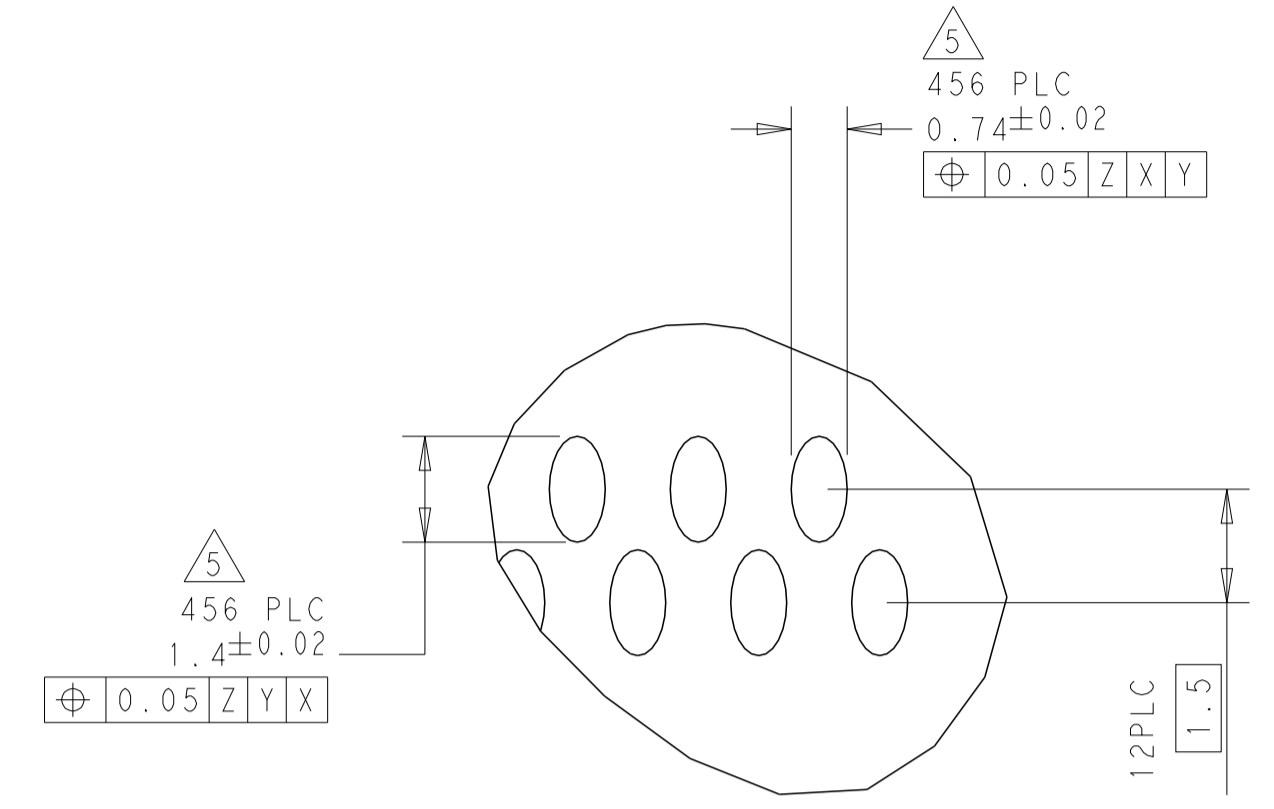
| REVISIONS | | | | |
|-----------|------|----|-----|------|
| REV | DATE | BY | CHK | APPV |
| 1 | | | | |
| 2 | | | | |
| 3 | | | | |
| 4 | | | | |
| 5 | | | | |



CONTACT MATING SIDE $\triangle 3$



CUSTOMER SIDE $\triangle 3$



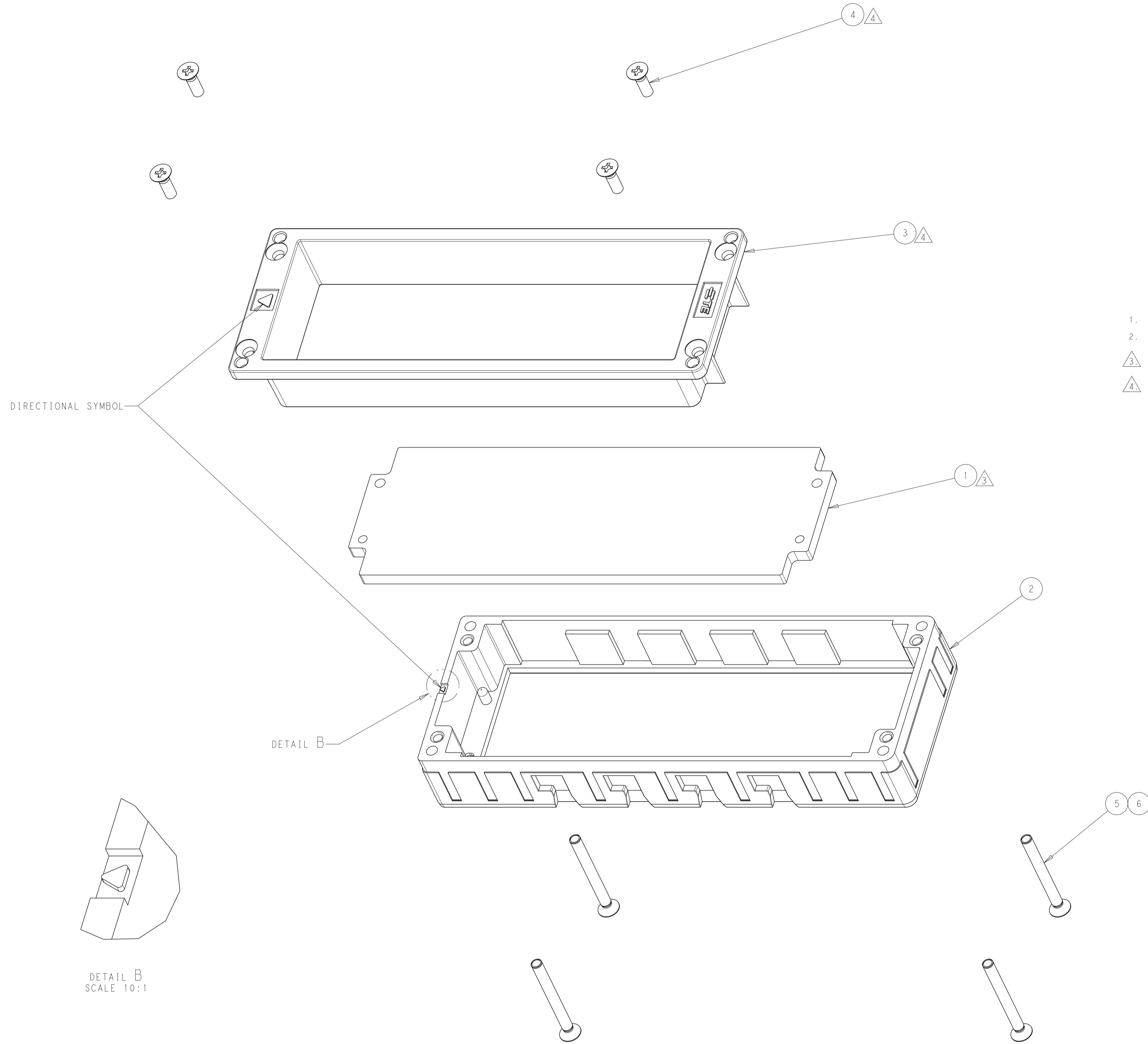
DETAIL A $\triangle 3$
SCALE 10:1

$\triangle 5$ CONTACT PAD FINISH RECOMMENDATION
(PLATING RECOMMENDATION)
Ni UNDER :
0.002mm MIN ALL OVER.(112-25-2)
HARD Au FINISH :
0.0005mm MIN POROSITY SEALING (112-165-3)

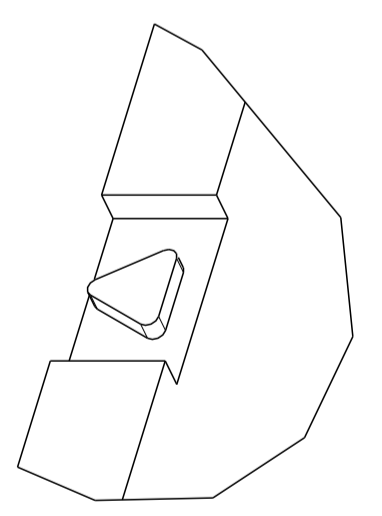
| | | | |
|--|--|----------------------------|--|
| THIS DRAWING IS A CONTROLLED DOCUMENT. | | OWN: Y. SASAKI 11MAR2014 | TE Connectivity |
| DIMENSIONS: mm | | CHK: M. KIMURA 11MAR2014 | |
| TOLERANCES UNLESS OTHERWISE SPECIFIED: | | APVD: M. KIMURA 11MAR2014 | PLUG CONNECTOR 456P PLUG CONNECTOR KIT BEEHIVE I/O CONNECTOR SERIES |
| 0-PLC ±0.3 | | NAME: SAKI | |
| 1-PLC ±0.5 | | PRODUCT SPEC: 108-140047 | |
| 2-PLC ±0.13 | | APPLICATION SPEC: 114-5518 | |
| 3-PLC ±0.001 | | SIZE: A1 | RESTRICTED TO |
| 4-PLC ±0.5 | | WEIGHT: 100 G | |
| MATERIAL: SEE SHEET 3 TABLE | | FINISH: SEE SHEET 3 TABLE | SCALE: 2:1 |
| CAGE CODE: SEE SHEET 3 TABLE | | DRAWING NO: C=2822672 | SHEET 2 OF 4 |
| CUSTOMER DRAWING | | REV: H | |

CONFIDENTIAL

| REVISIONS | | | | |
|-----------|-------------|----|-----|------|
| REV | DATE | BY | CHK | APPV |
| - | SEE SHEET 1 | - | - | - |



1. USED MATERIAL AND FINISH ARE ON THE TABLE OF SHEET 3.
 2. FABRICATE PER ANSI / IPC-6011/6012 CLASS 3, UNLESS OTHERWISE SPECIFIED.
 3. ITEM NO. 1 IS CUSTOMER OWN COMPONENT. THIS PCB OR PCB ASSEMBLY SHOULD MEET TO TE RECOMMENDATION FOR CONTACT PCB.
 4. THIS CONNECTOR IS DESIGNED FOR THE THICKNESS OF PCB (ITEM_1) TO USE THICKNESS 1.6mm TO 3.2mm OF PCB AND THE TOLERANCE WITHIN 10%. RANGE OF PCB THICKNESS. TIGHTENING TORQUE SHOULD BE TIGHTEN ACCORDING TO THE CONDITION OF THE USING PCB. SHOULD NOT MAKE RETAINER(2822674-1) TRANSFORMED AND PCB (ITEM_1) DAMAGE TO TIGHTEN UP. THE RETAINER TIGHTENING NOMINAL RECOMMENDED REFERENCE TORQUE 18.0cN·m
- BY 2822672-3 :
 A SCREW IS NOT ATTACHED TO 2822672-3. PLEASE USE M2.5 FLAT HEAD SCREW. PLEASE TIGHTEN UP AND APPLY 0.5T OF STANDARD SPECIFICATION TO THE TORQUE.



DETAIL B
SCALE 10:1

| QTY | MATERIAL | NAME | ITEM NO |
|-------|--|--------------------------------------|---------|
| - 4 | SUS / Alok | M2.5x30 FLAT HEAD SCREW WITH ALOK | 6 |
| - - 4 | SUS / Alok | M2.5x25 FLAT HEAD SCREW WITH ALOK | 5 |
| - 4 4 | SUS / Alok | M2.5x8 FLAT HEAD SCREW WITH ALOK | 4 |
| 1 1 1 | Al ALLOY DIE-CAST FINISH : Ni PLATING | PCB RETAINER | 3 |
| 1 1 1 | Zn ALLOY DIE-CAST FINISH : Ni PLATING | PLUG FRAME | 2 |
| - - - | - | CONTACT PCB CUSTOMER OWN | 1 |

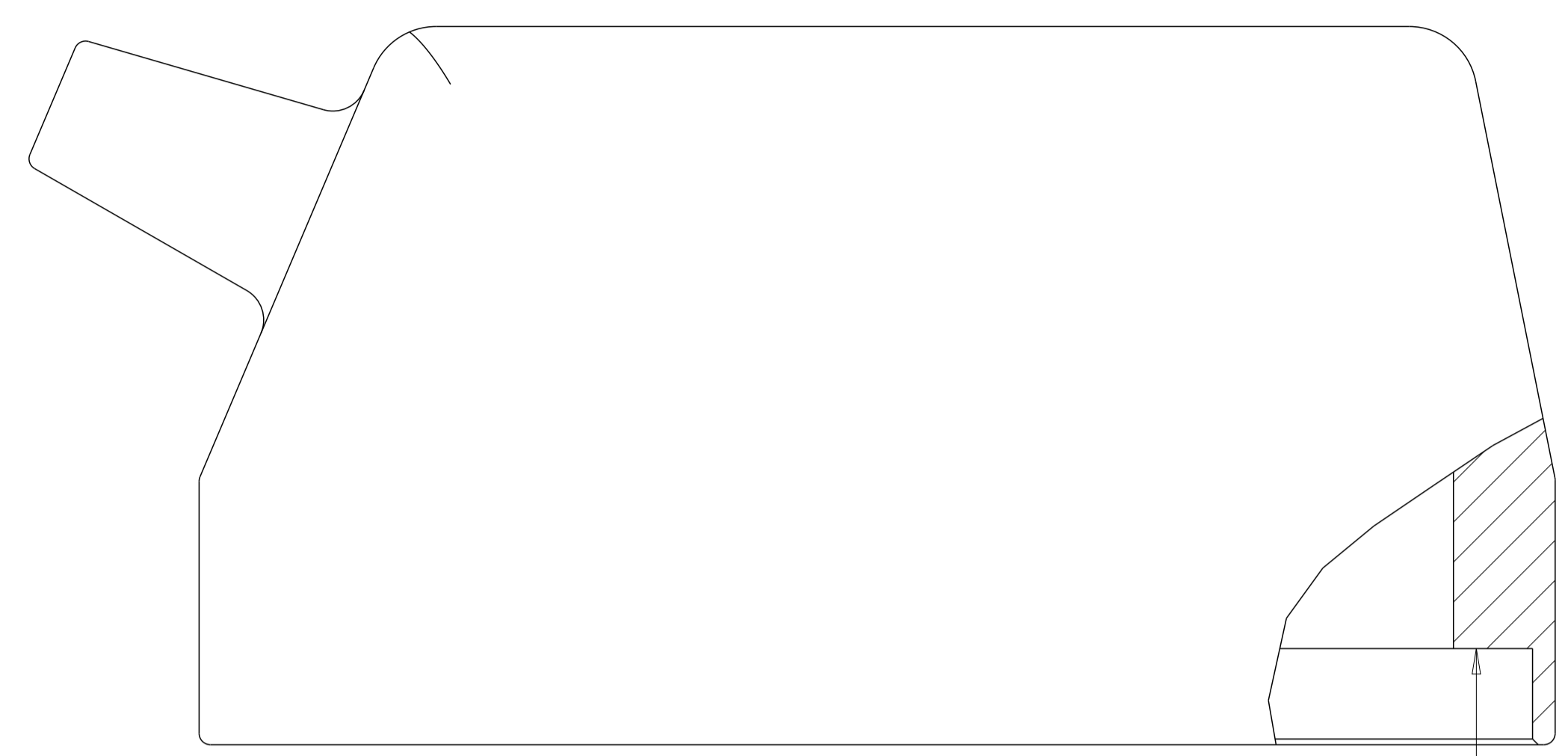
THIS DRAWING IS A CONTROLLED DOCUMENT.

| | | | | | |
|-------------------------------------|--|---|---|---|---|
| DIMENSIONS: mm: ±0.1 mm: ±0.1 | TOLERANCES UNLESS OTHERWISE SPECIFIED: mm: ±0.3 0-PLC ±0.5 1-PLC ±0.5 2-PLC ±0.5 3-PLC ±0.5 4-PLC ±0.5 ANGLES ±0.001 FINISH ±0.5 | DWG: Y. SASAKI 11MAR2014 CHK: M. KIMURA 11MAR2014 APPV: M. KIMURA 11MAR2014 | NAME: SAKI PRODUCT SPEC: 108-140047 APPLICATION SPEC: 114-5518 WEIGHT: 100 G | SIZE: A1 CAGE CODE: - DRAWING NO: C=2822672 CUSTOMER DRAWING | RESTRICTED TO: - SCALE: 2:1 SHEET: 3 OF 4 REV: H |
|-------------------------------------|--|---|---|---|---|

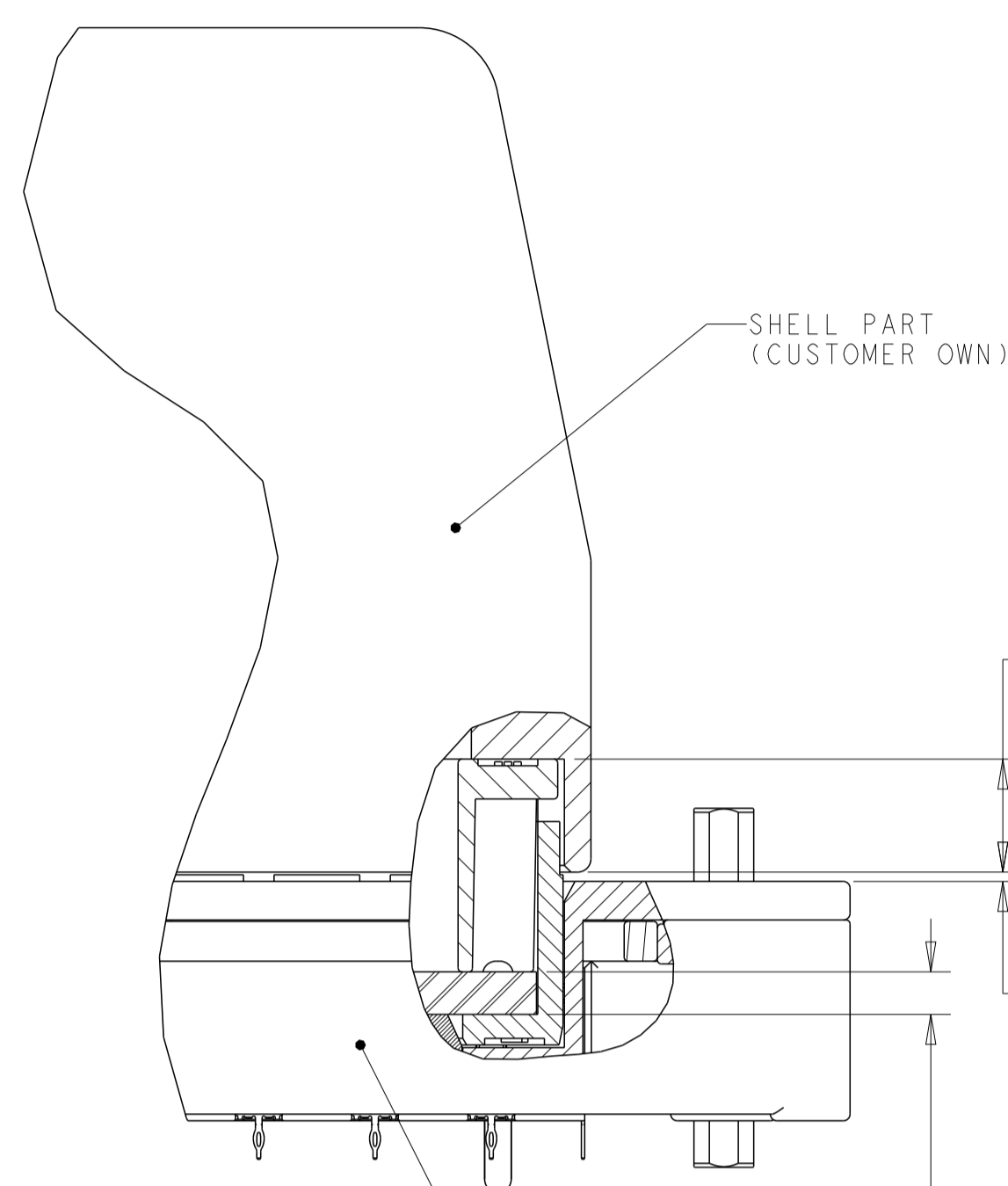
TE Connectivity

PLUG CONNECTOR
 456P PLUG CONNECTOR KIT
 BEEHIVE I/O CONNECTOR SERIES

| REVISIONS | | | | |
|-----------|------|-------------|------|-------|
| P. | LTN. | DESCRIPTION | DATE | APVD. |
| - | - | SEE SHEET 1 | - | - |
| | | | | |
| | | | | |

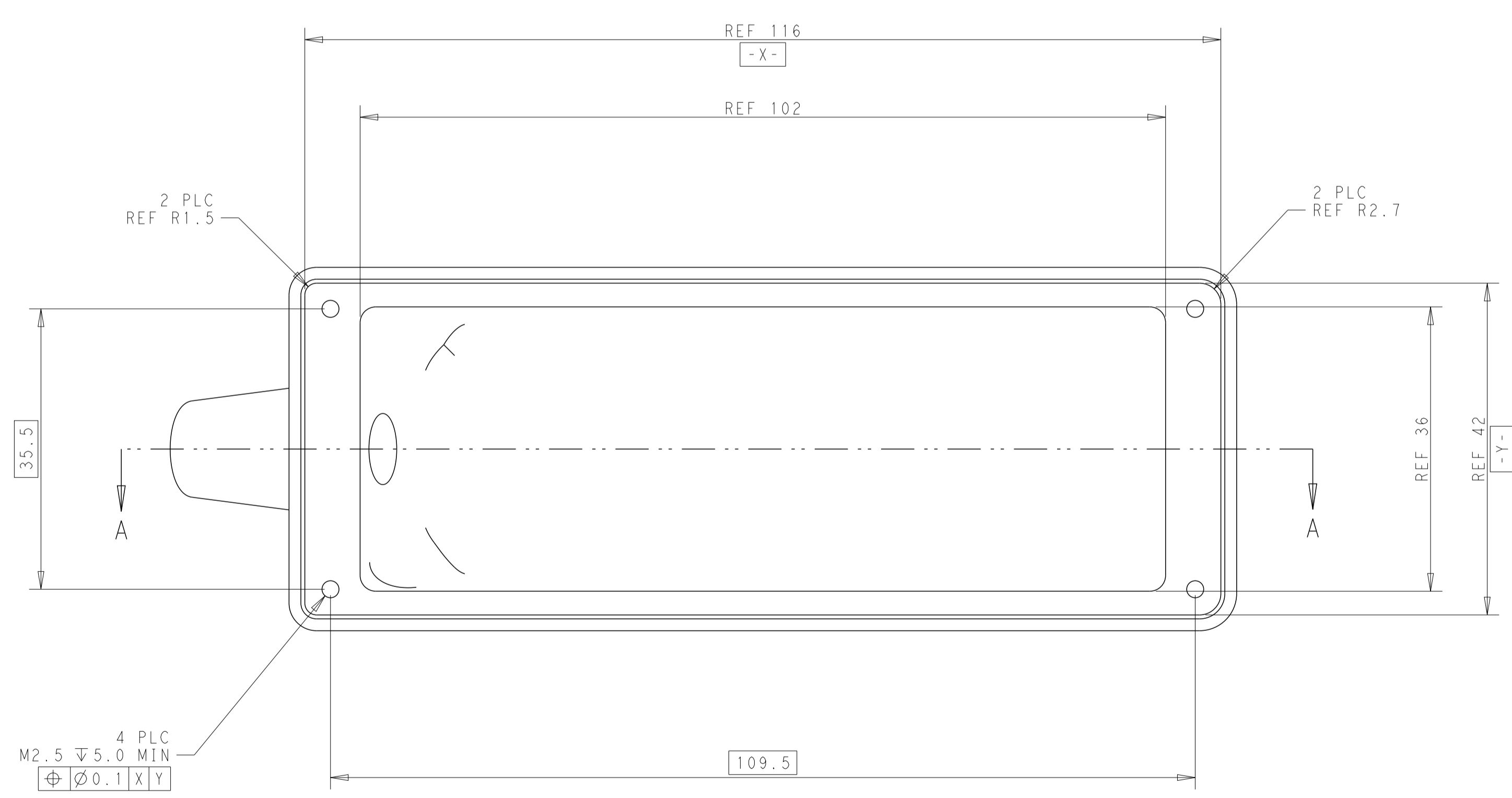


0.1
 PLEASE MEET TO 2822674-1
 RETAINER SURFACE IN THIS SURFACE.

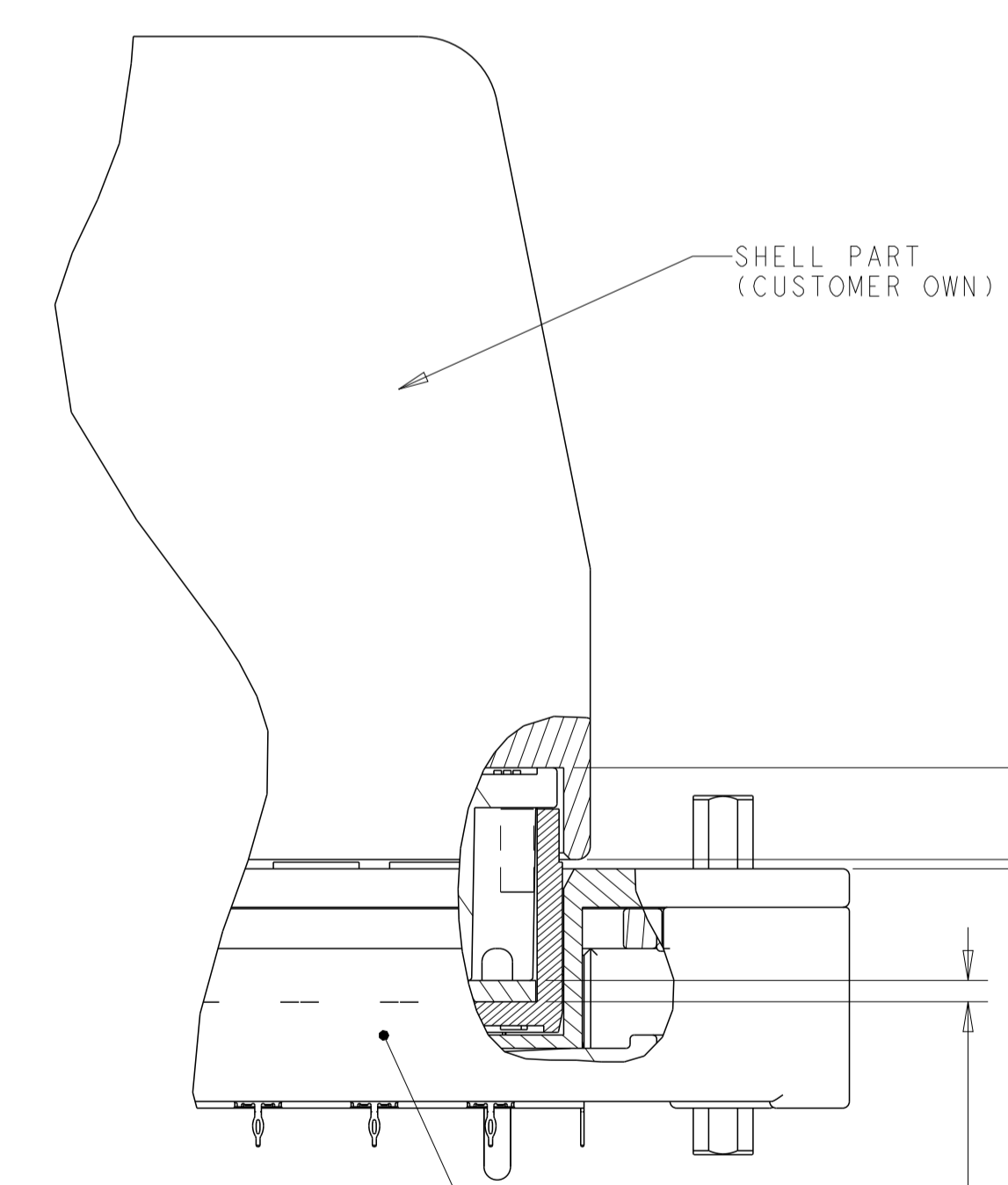


SHELL PART
 (CUSTOMER OWN)
 REF
 AROUND 8.5 MAX
 (BY PCB THICKNESS 3.2mm)
 (0.7) CLEARANCE
 PLEASE CHANGE A DESIGN OF POD
 DEPENDING ON THE THICKNESS OF THE PANEL
 IF YOU ATTACHE A PANEL BETWEEN
 RECEPTACLE CONNECTOR AND SHELL.
 3.2 PCB THICKNESS

P/N: 2822650-1
 MP456P HD I/O RECEPTACLE CONNECTOR



CLAM SHELL ATTACHMENT AREA REFERENCE DIMENSION



SHELL PART
 (CUSTOMER OWN)
 REF
 AROUND 6.9 MAX
 (BY PCB THICKNESS 1.6mm)
 (0.7) CLEARANCE
 PLEASE CHANGE A DESIGN OF POD
 DEPENDING ON THE THICKNESS OF THE PANEL
 IF YOU ATTACHE A PANEL BETWEEN
 RECEPTACLE CONNECTOR AND SHELL.
 1.6 PCB THICKNESS

P/N: 2822650-1
 MP456P HD I/O RECEPTACLE CONNECTOR

| | | | |
|---|--------------|--------------------------------|---|
| THIS DRAWING IS A CONTROLLED DOCUMENT. | | OWN Y. SASAKI 11MAR2014 | TE Connectivity |
| DIMENSIONS: mm | | CHK M. KIMURA 11MAR2014 | |
| TOLERANCES UNLESS OTHERWISE SPECIFIED: | | APVD M. KIMURA 11MAR2014 | NAME PLUG CONNECTOR 456P PLUG CONNECTOR KIT BEEHIVE I/O CONNECTOR SERIES |
| 0-PLC | ± 0.3 | PRODUCT SPEC | SIZE A1 |
| 1-PLC | ± 0.1 | APPLICATION SPEC | CAGE CODE - |
| 2-PLC | ± 0.01 | 114-5518 | DRAWING NO C=2822672 |
| 3-PLC | ± 0.001 | 108-140047 | RESTRICTED TO - |
| 4-PLC | ± 0.0001 | 114-5518 | SCALE 2:1 |
| ANGLES | ± 0.5 | WEIGHT 100 G | SHEET 4 OF 4 |
| FINISH | - | CUSTOMER DRAWING | REV H |

单击下面可查看定价，库存，交付和生命周期等信息

[>>TE Connectivity\(泰科\)](#)