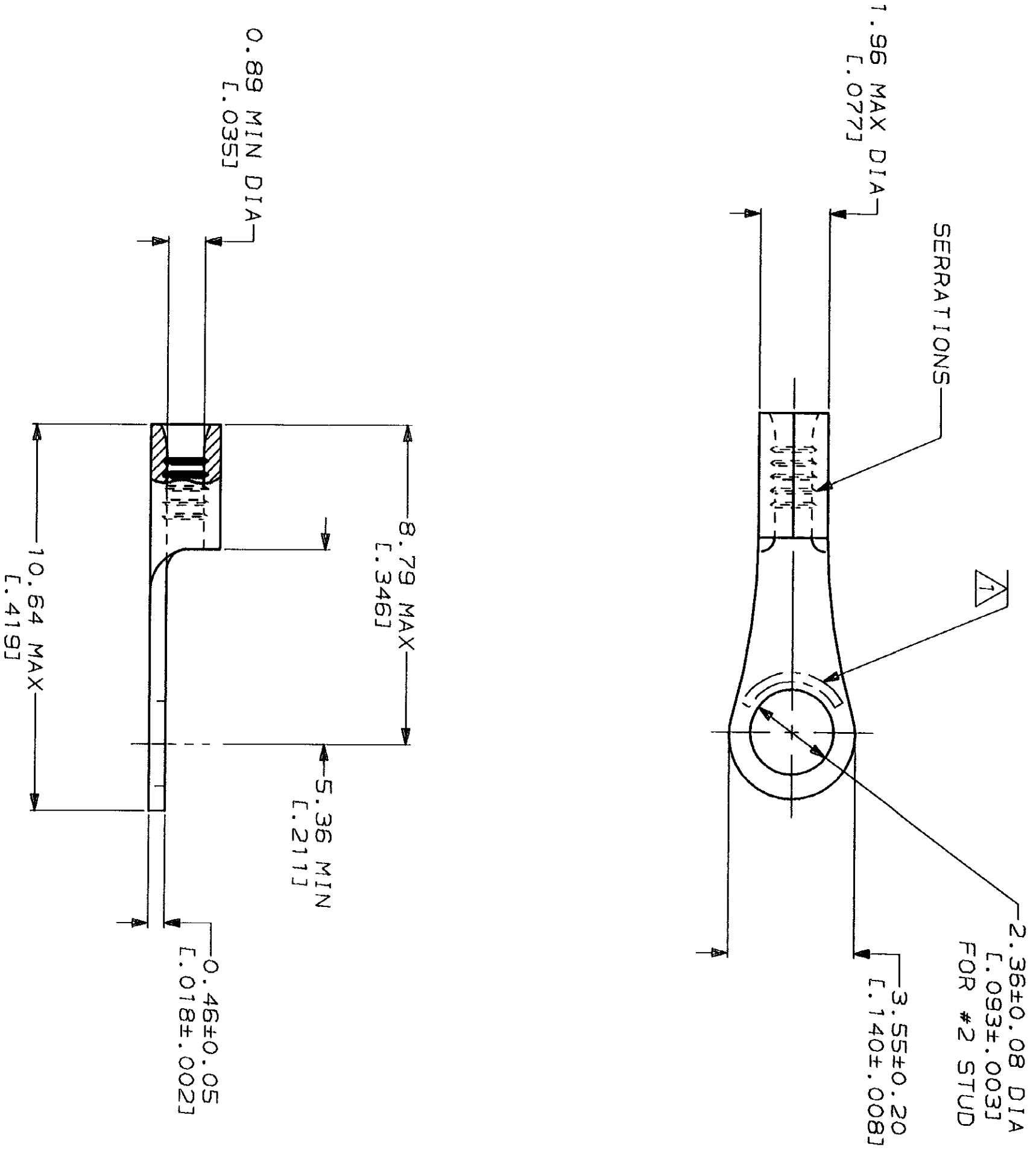


LOC	QTY	REV	ZONE	LTR	DESCRIPTION	DATE	APPD
G	14	P			RELEASED PER 0720-0008-93	2-2-93	JL DAP

**METRIC**  
DIMENSIONS LISTED IN mm [ INCHES ]

<b>AMP</b> WIRE RANGE 26-22 AWG STRANDED	<b>JL</b> E13288 Listed	NOT LISTED
<b>LR7189</b> Certified	MILITARY P/N AND CLASS	NOT CERTIFIED
NOT CERTIFIED		NOT APPLICABLE

△ STAMP AMP APPROX AS SHOWN



**AMP INCORPORATED**  
**CUSTOMER SERVICE SYSTEMS**

FOR ADDITIONAL PRODUCT INFORMATION OR COPIES OF DRAWINGS AND TECHNICAL DOCUMENTS  
1-800-522-6752

FOR APPLICATION TOOLING INFORMATION  
1-800-722-1111

FOR ORDER ENTRY  
1-800-526-5142

MAX RECOMMENDED OPERATING TEMPERATURE:  
170°C MAX

VOLTAGE RATING:  
NOT APPLICABLE

WIRE CROSS SECTIONAL AREA RANGE:  
0.1-0.41mm<sup>2</sup> [202-810] CIR MILS  
STRANDED

DO NOT SCALE PRINT. UNLESS SPECIFIED DIMENSIONS IN mm [INCHES] TOLERANCES ON:  
2 PLG DEC ±  
3 PLG DEC ±  
ANGLES

MATERIAL  
COPPER PER ASTM B-152 ANNEALED

FINISH  
TIN PLATE  
0.00254 [0.00100] MIN THK PER MIL-T-10727

DR 2-2-93 TA BRINKMAN	DR 2-2-93 TA BRINKMAN
CHK 2-2-93 DA PATTERSON	CHK 2-2-93 DA PATTERSON
APPD 2-2-93 DE MILLER	APPD 2-2-93 DE MILLER
APPD 2-2-93 JL MECKLEY	APPD 2-2-93 JL MECKLEY
APPLICATION SPEC	APPLICATION SPEC

AMP	AMP Incorporated Harrisburg, PA 17105-3608
NAME	TERMINAL, RING TONGUE, BUDGET
SIZE	CAGE CODE 00779
SCALE	8:1

322771  
PART NO

单击下面可查看定价，库存，交付和生命周期等信息

[>>TE Connectivity\(泰科\)](#)