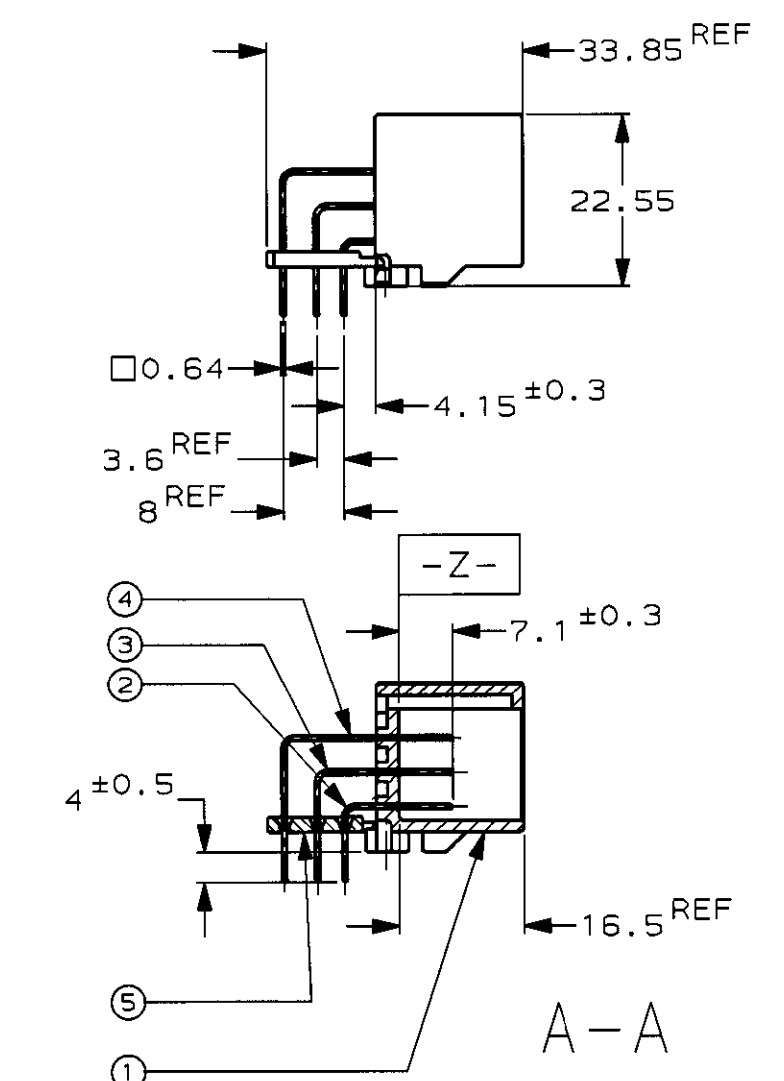
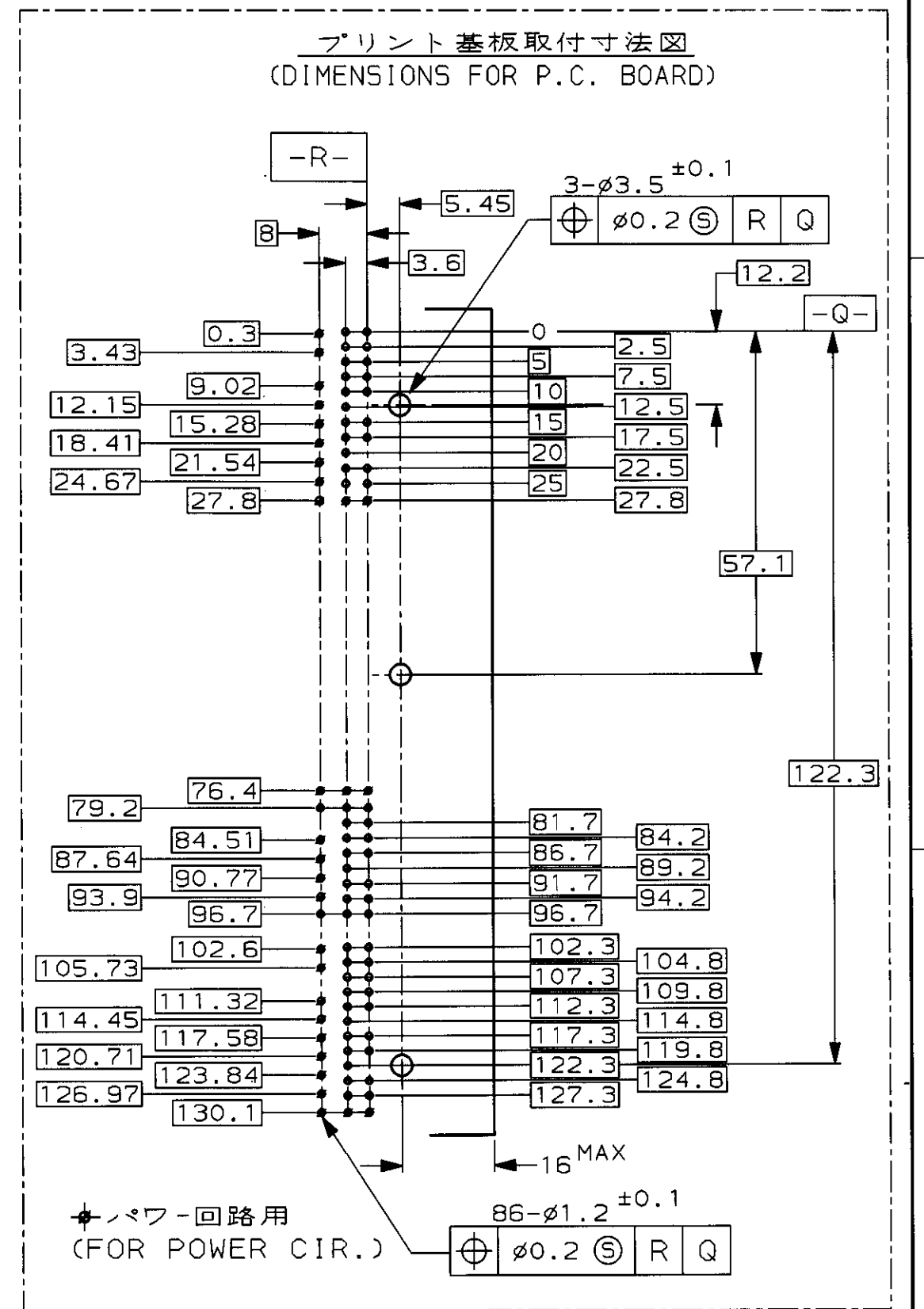
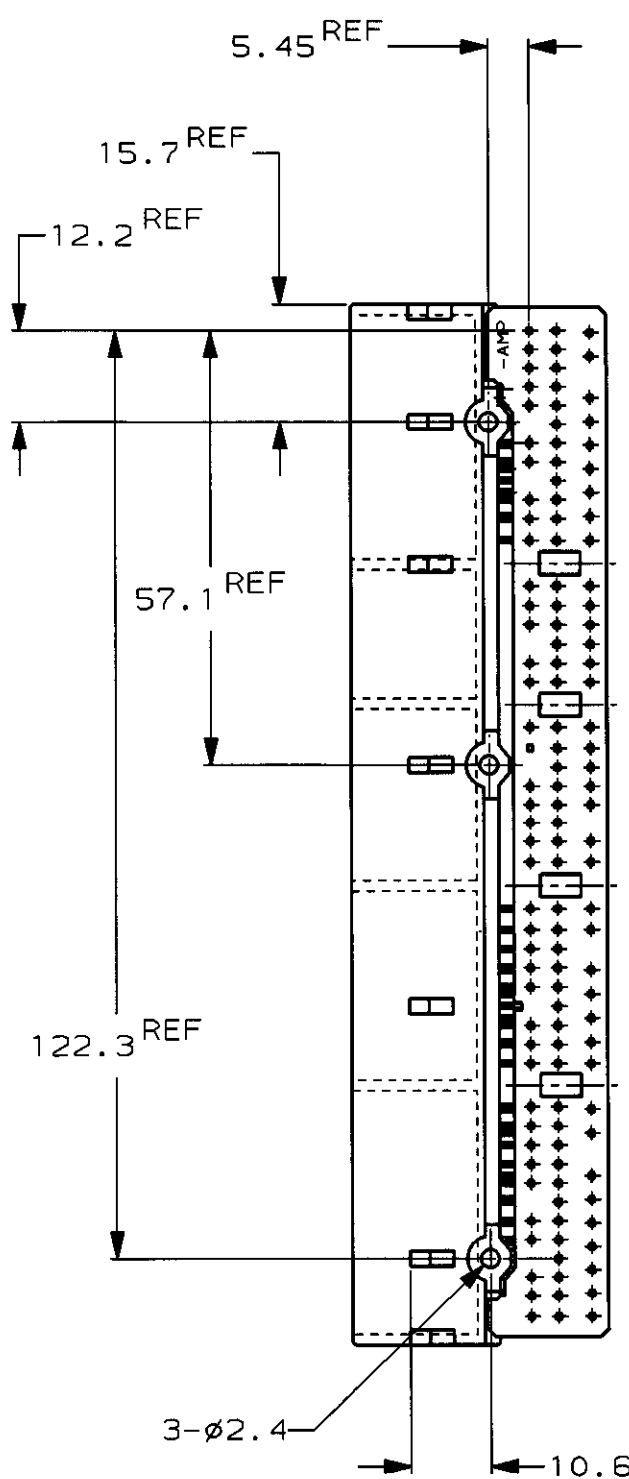
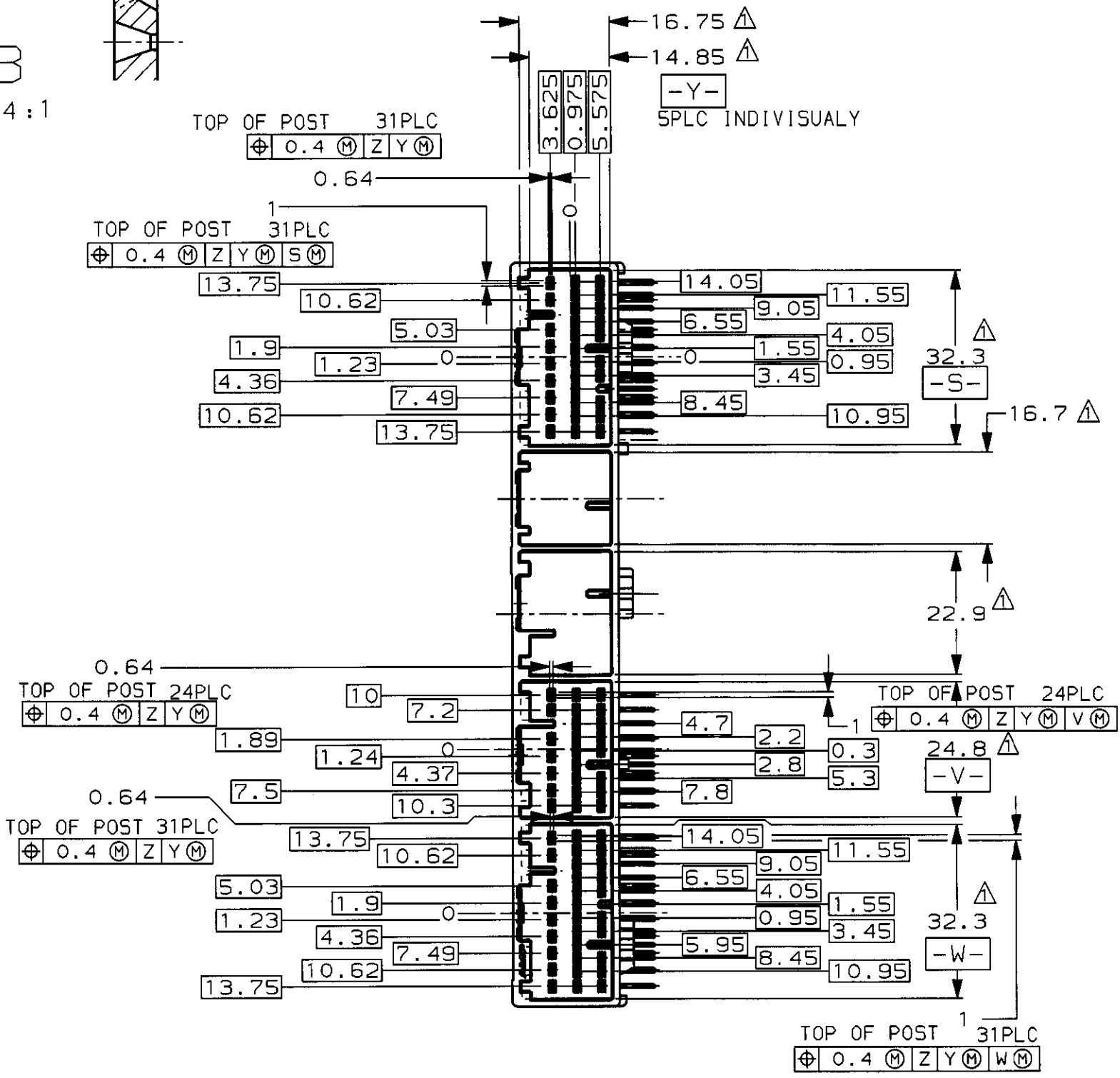
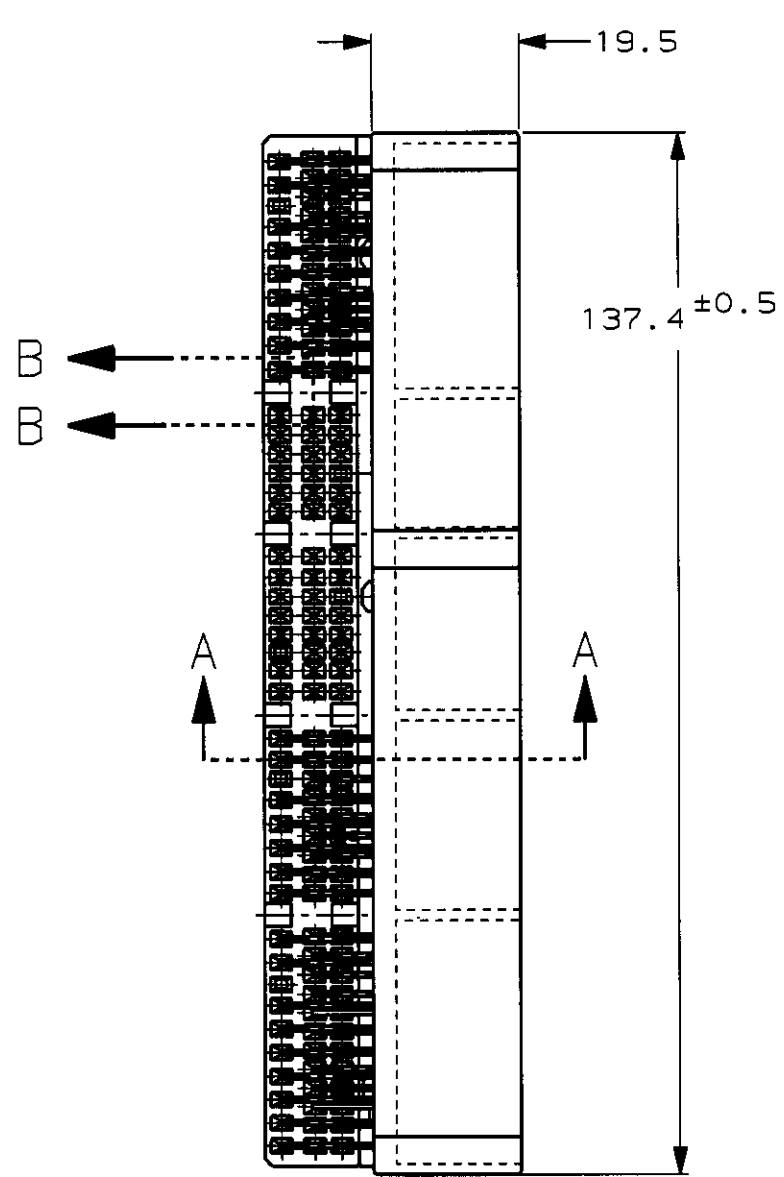


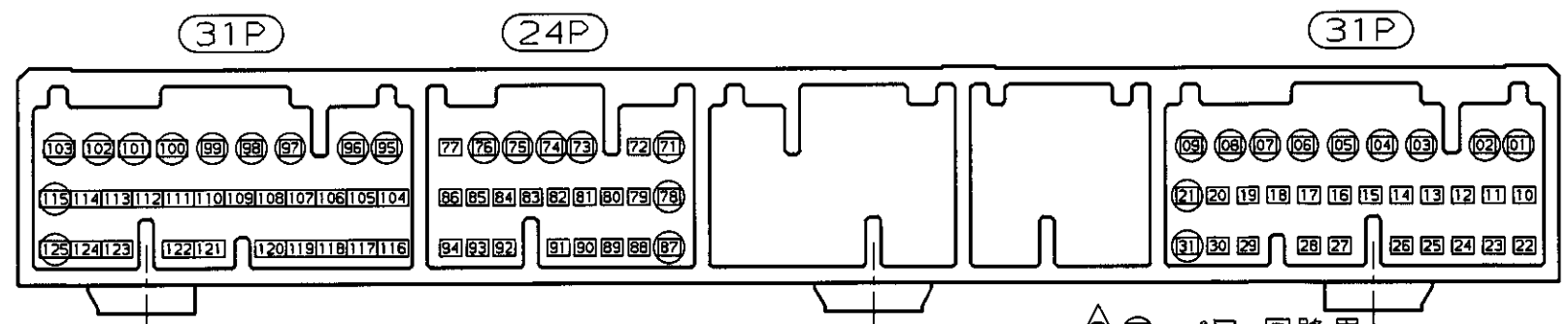
THIS DRAWING IS UNPUBLISHED. RELEASED FOR PUBLICATION, 1996.
 (C) COPYRIGHT 1996 BY AMP INCORPORATED. ALL RIGHTS RESERVED.

| REVISIONS | | | | | | |
|-----------|------|---|-----|-------------|--------------|---------|
| LOC | DIST | P | LTR | DESCRIPTION | ECN | DATE |
| J | - | 0 | | DRAWN | FJ00-1684-99 | 30SEP99 |
| | | | | | | |
| | | | | | | |
| | | | | | | |

B-B
SCALE 4:1



- | | |
|---|--|
| ① Z面より7.5mmの位置で測定 | ① MEASURED AT THE SECTION 7.5mm FROM Z. |
| ② パワ-回路(29極); FIG 1 参照 | ② POWER CIRCUITS (29); SEE FIG 1 |
| ③ 回路番号; FIG 1 参照 | ③ CIRCUIT NUMBERS; SEE FIG 1 |
| 4. 嵌合相手ハウジング型番 24P; 353029, 31P; 1318682, 353826 | 4. PART NO OF PLUG HOUSINGS TO BE MATED 24P; 353029, 31P; 1318682, 353826 |
| 5. 推奨取付ねじ: JIS B1115、B1122 タッピングねじ、なべ2種、呼び径3、 長さ6以下 | 5. RECOMMENDED SCREW: PAN-HEADED, TYPE 2 TAPPING SCREW OF 3DIA X 6LEN(MAX) (JIS B1115, B1122). |
| 6. ねじ締付トルク: 0.392N・m MAX | 6. FASTENING TORQUE FOR SCREW: 0.392N・m MAX. |
| 7. 取扱説明書 411-5931 | 7. INSTRUCTION SHEET 411-5931 |



③ FIG 1 CIRCUIT NUMBERS (FOR POWER CIRCUIT)

| FINISH/COLOR | MATERIAL | NAME | QTY | ITEM NO |
|--------------|--------------|----------------|-----|---------|
| NATURAL | PBT | TINE PLATE | 1 | ⑤ |
| PRE-TIN | COPPER ALLOY | TAB CONTACT(L) | 25 | ④ |
| PRE-TIN | COPPER ALLOY | TAB CONTACT(M) | 33 | ③ |
| PRE-TIN | COPPER ALLOY | TAB CONTACT(S) | 28 | ② |
| NATURAL | PBT | CAP HOUSING | 1 | ① |

| | | | |
|---|---|---|--|
| THIS DRAWING IS A CONTROLLED DOCUMENT FOR AMP INCORPORATED. IT IS SUBJECT TO CHANGE AND THE CONTROLLING ENGINEERING ORGANIZATION SHOULD BE CONTACTED FOR THE LATEST REVISION. | | Y. FUJIWALA 29SEP99 CHK K. ODA 30SEP99 APVD K. ODA 30SEP99 | NAME AMP 日本エー・エム・ピー株式会社 Kawasaki, Japan |
| DIMENSIONS 単位 概 mm | TOLERANCES UNLESS OTHERWISE SPECIFIED 一般公差 10 > ±0.2 30 > ±0.25 100 > ±0.3 ANGLE ±3° | PRODUCT SPEC 製品規格 108-5673 | 040 III HIGH DENSITY CONNECTOR 86POS CAP HOUSING ASSY |
| MATERIAL 材料 SEE TABLE | FINISH 仕上 SEE TABLE | WEIGHT 36.5g | SIZE (CAGE CODE) A2 00779 DRAWING NO C-1318614 RESTRICTED TO |
| CUSTOMER DRAWING | | SCALE 1-1 | SHEET 1 OF 1 REV 0 |

单击下面可查看定价，库存，交付和生命周期等信息

[>>TE Connectivity\(泰科\)](#)