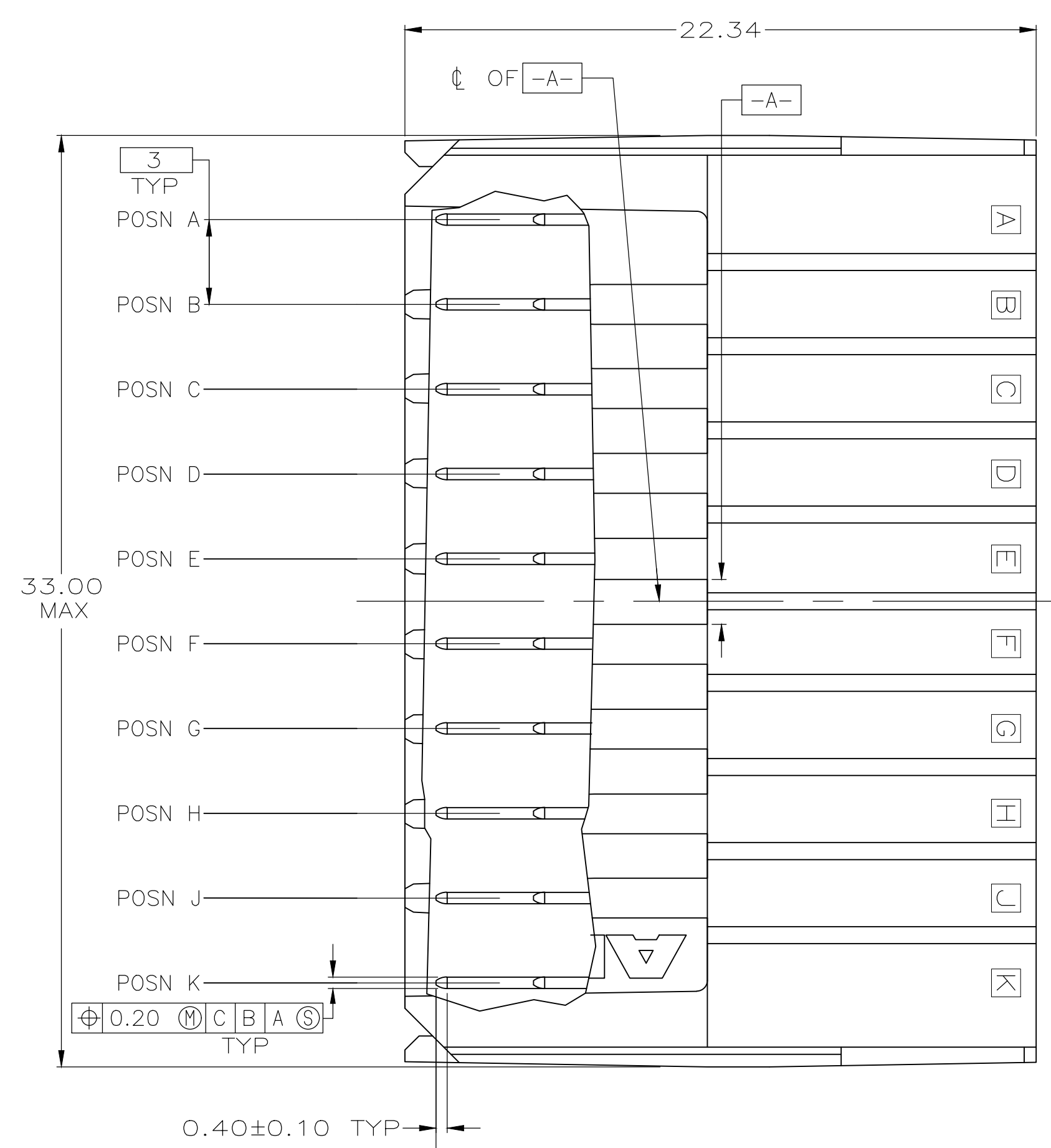
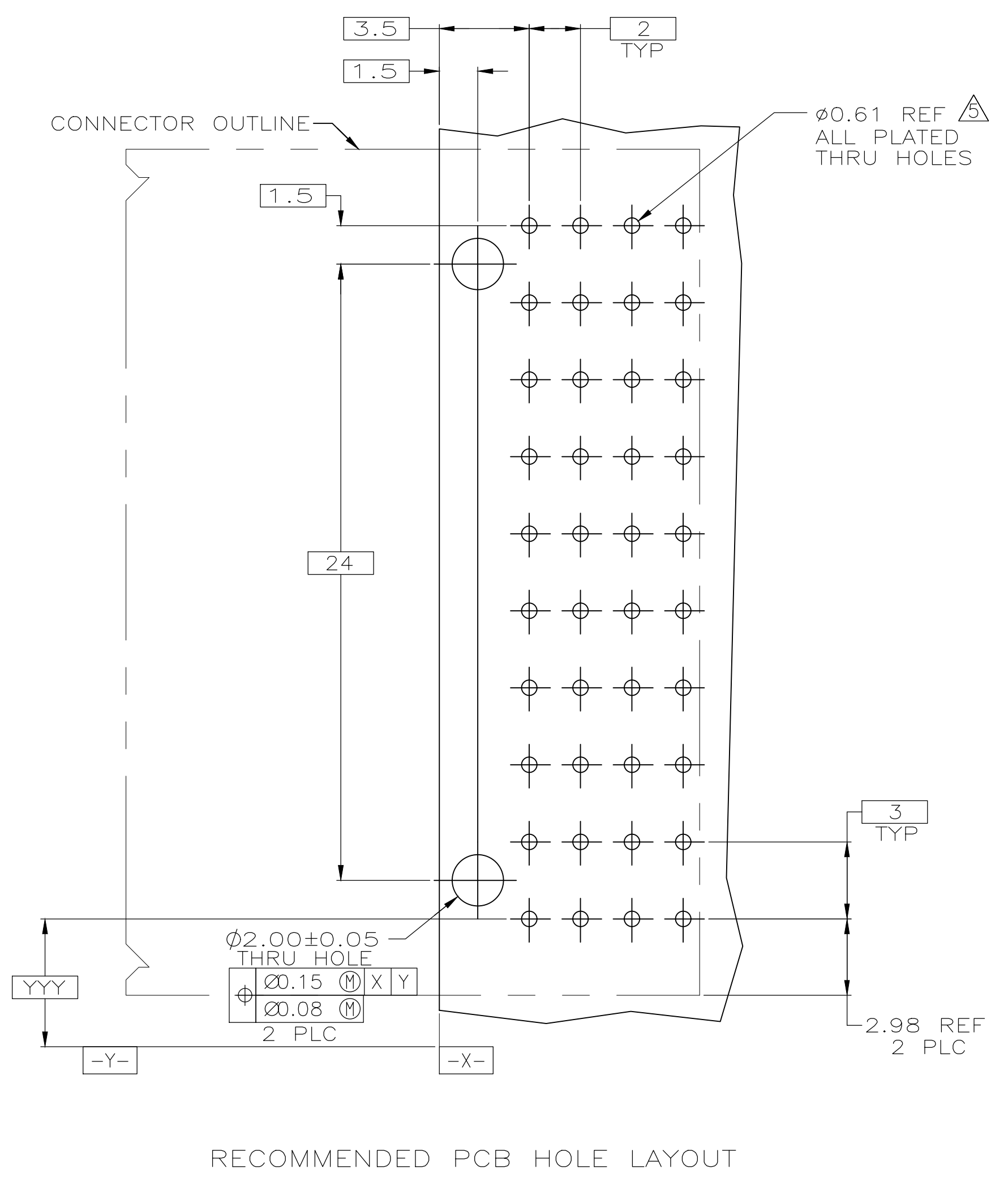
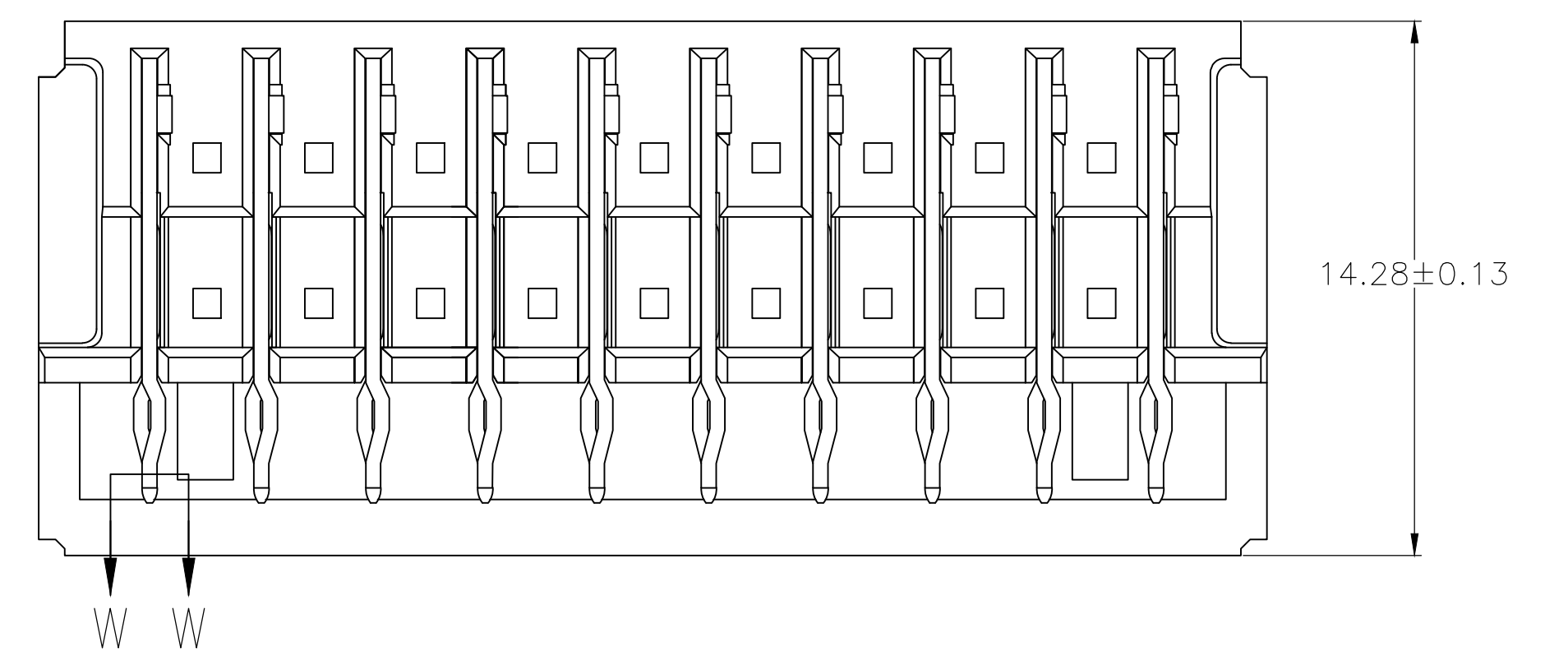
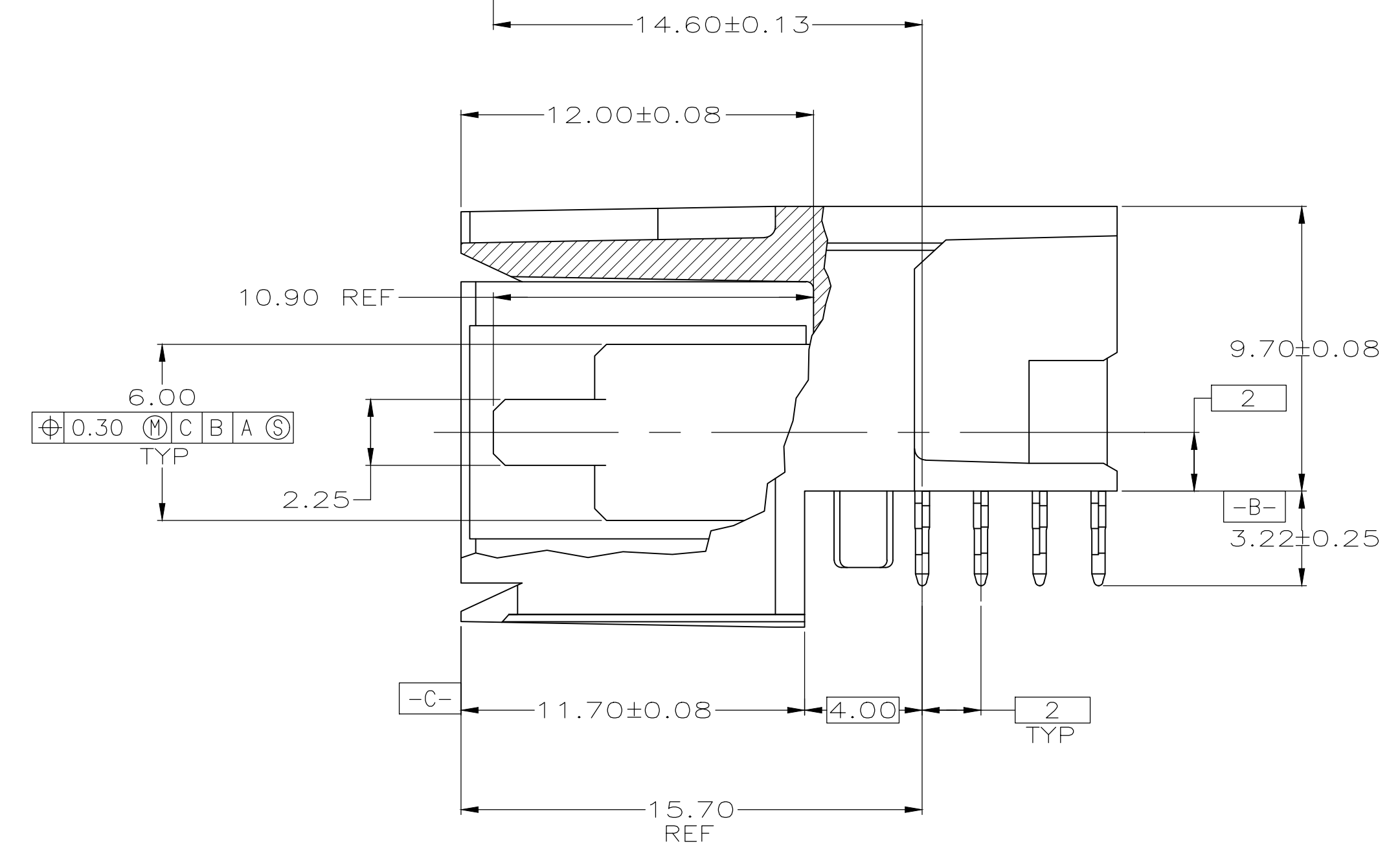
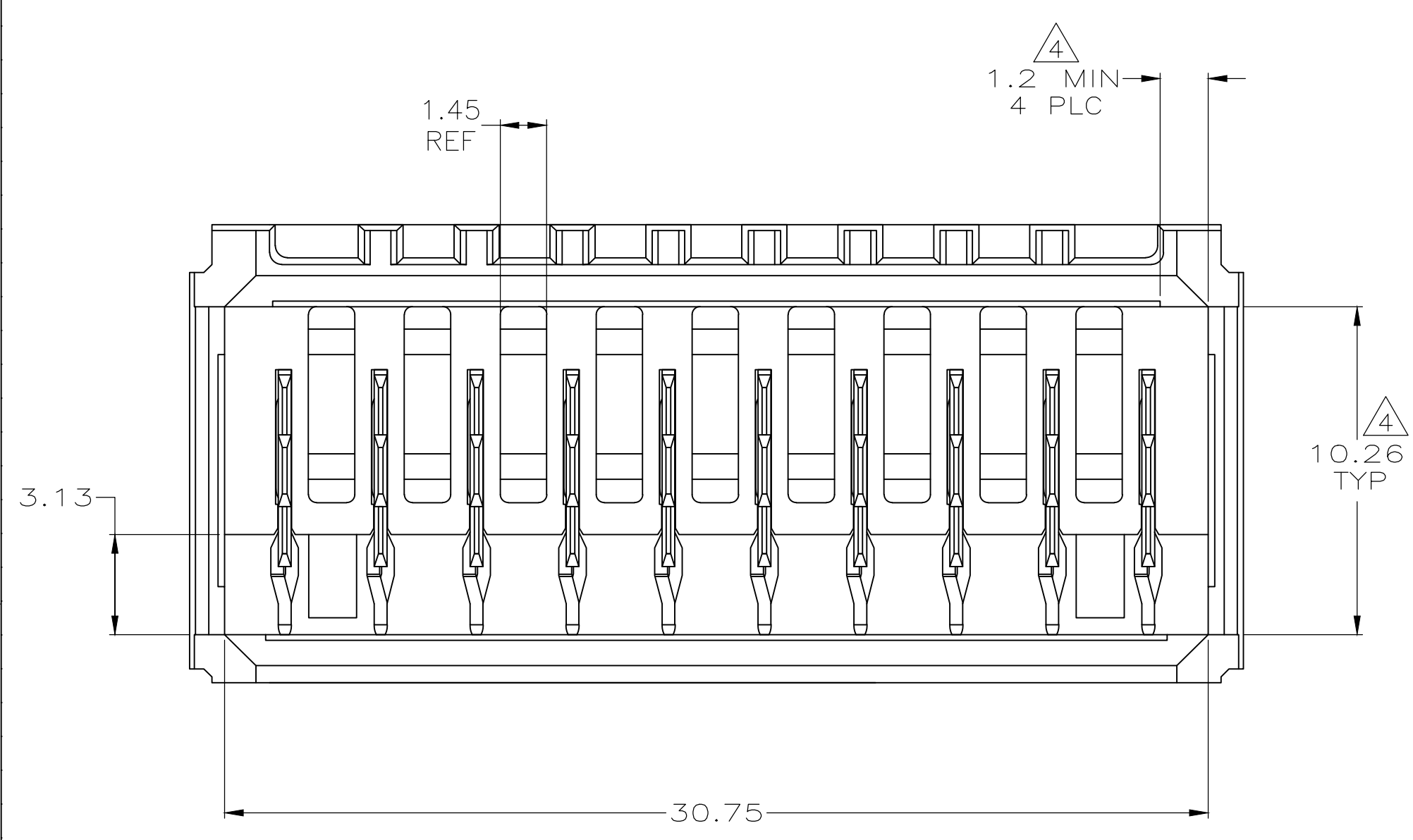
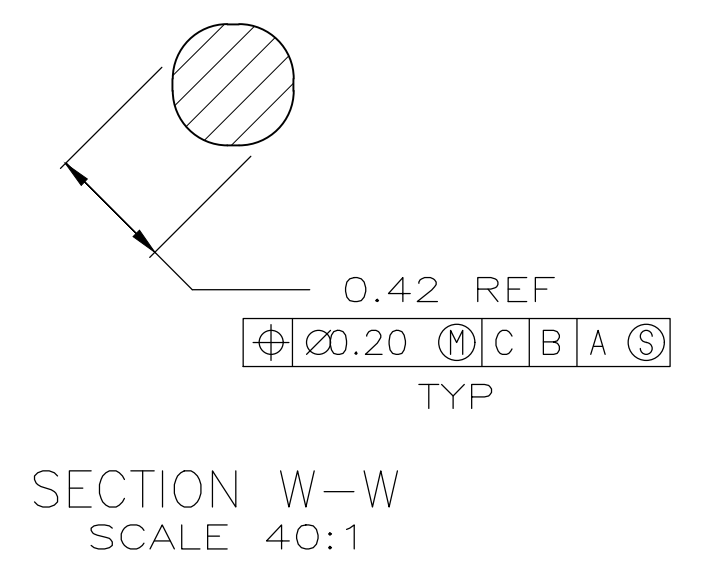


LOC		DIST		REVISIONS			
AD	00	REV	PER	DESCRIPTION	DATE	DMN	APVD
C1	REV PER	ECO-20-004668			10JUN2020	ML	SZ



- ⚠ MATERIAL: HOUSING: POLYESTER. COLOR: GRAY. UL 94V-0. CONTACT: COPPER ALLOY.
- ⚠ FINISH: IN ACCORDANCE WITH PRODUCT SPECIFICATION 108-1651, GOLD PLATING OR EQUIVALENT PLATING ON PRODUCT CONTACT MATING AREA, AND MATTE TIN PLATING ON COMPLIANT PIN AREA, ALL OVER MATTE NICKEL UNDERPLATED. DETAIL PLEASE REFER TO PRODUCT SPECIFICATION 108-1651.
- ⚠ FINISH: CONTACT LUBRICATION WITH BELLCORE APPROVED LUBRICANT. TECHNICAL REFERENCE: GR-1217-CORE, ISSUE 1, NOVEMBER 1995.
- ⚠ THE 10.26±0.13 DIMENSION APPLIES IN THIS AREA.
- ⚠ REFERENCE APPLICATION SPEC 114-1103 FOR RECOMMENDED PLATED THRU HOLE DIAMETER AND PLATING THICKNESS.
- 6. CURRENT RATING 10A/CONTACT PER PRODUCT SPEC 108-1651.



5646960-1  
PART NUMBER

THIS DRAWING IS A CONTROLLED DOCUMENT.		DIN B CARBO 150EC04	Tyco Electronics Corporation Harrisburg, Pa 17105-3608
DIMENSIONS: mm		150EC04	
TOLERANCES UNLESS OTHERWISE SPECIFIED:		APVD R PATTERSON 150EC04	NAME R PATTERSON
0 PLC ± -		PRODUCT SPEC 108-1651	
1 PLC ± -		APPLICATION SPEC 114-1103	SIZE A1
2 PLC ± 0.13		WEIGHT -	
3 PLC ± -		CUSTOMER DRAWING	SCALE 6:1
4 PLC ± -		RESTRICTED TO	SHEET 1 OF 1
ANGLES ± -		REV C1	

单击下面可查看定价，库存，交付和生命周期等信息

[>>TE Connectivity\(泰科\)](#)