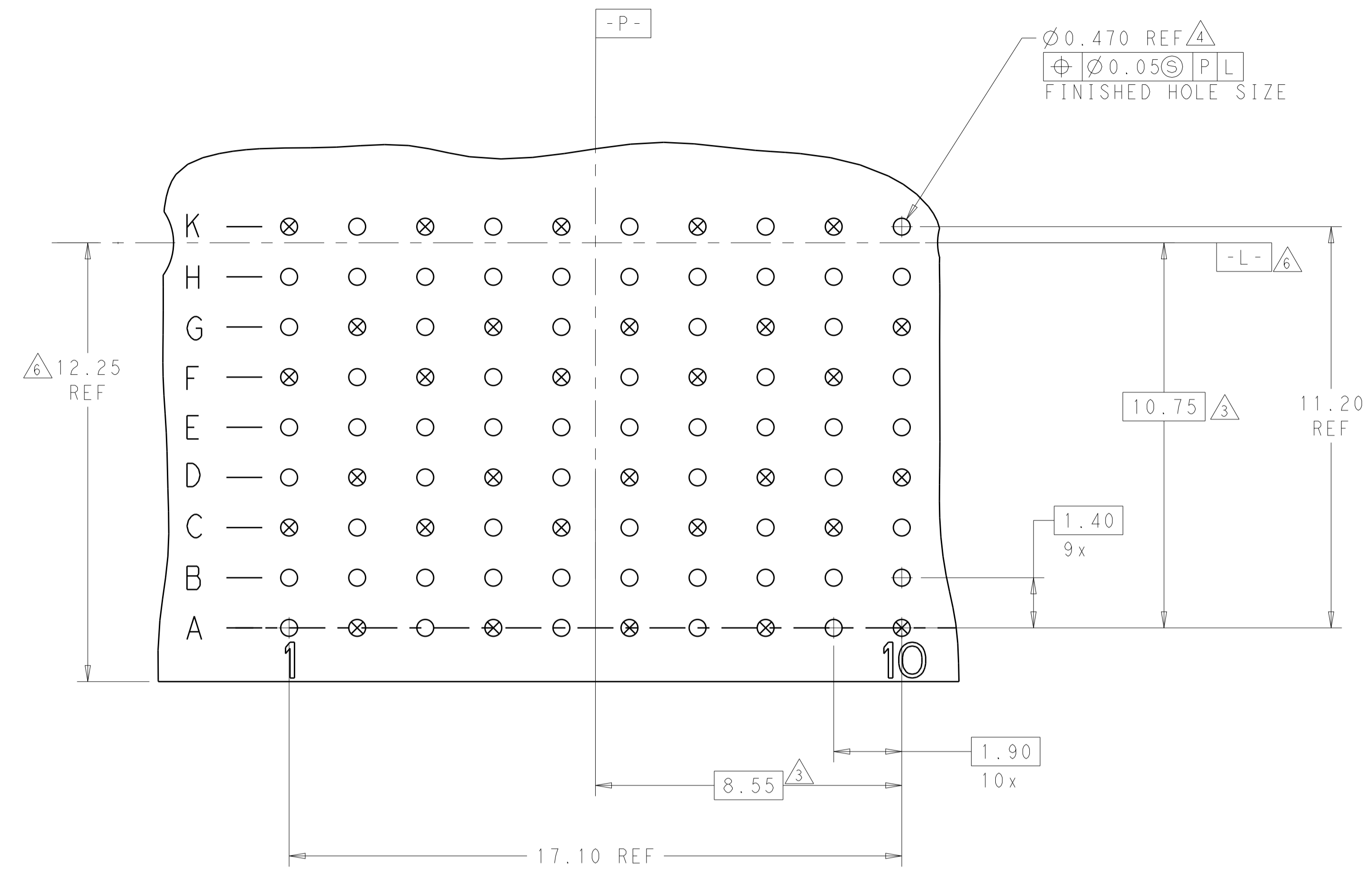


LOC		DIST		REVISIONS			
P	LTN	DESCRIPTION	DATE	DWN	APVD		
D		REV PER ECO 14-018436	12-8-14	CT	DH		

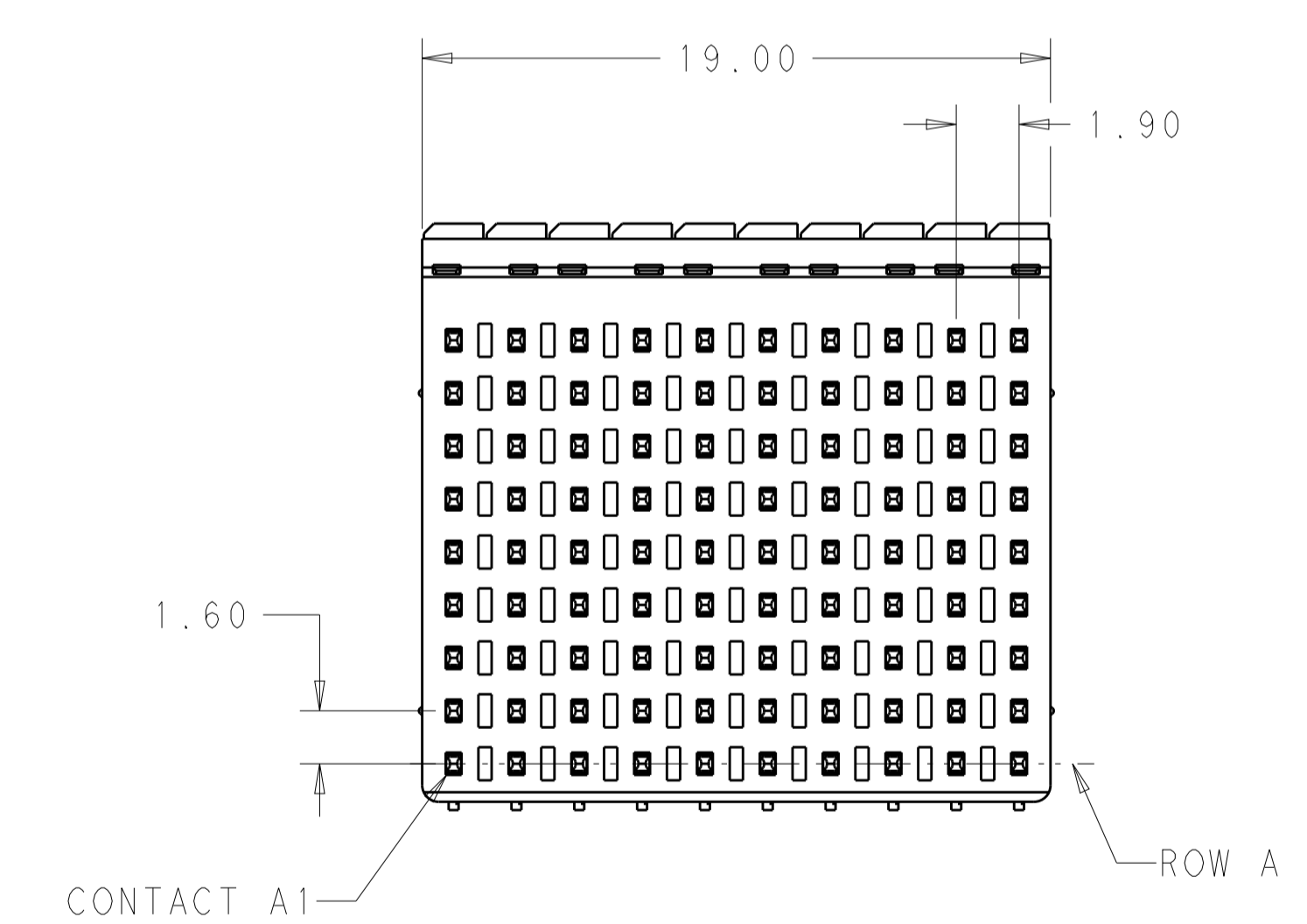
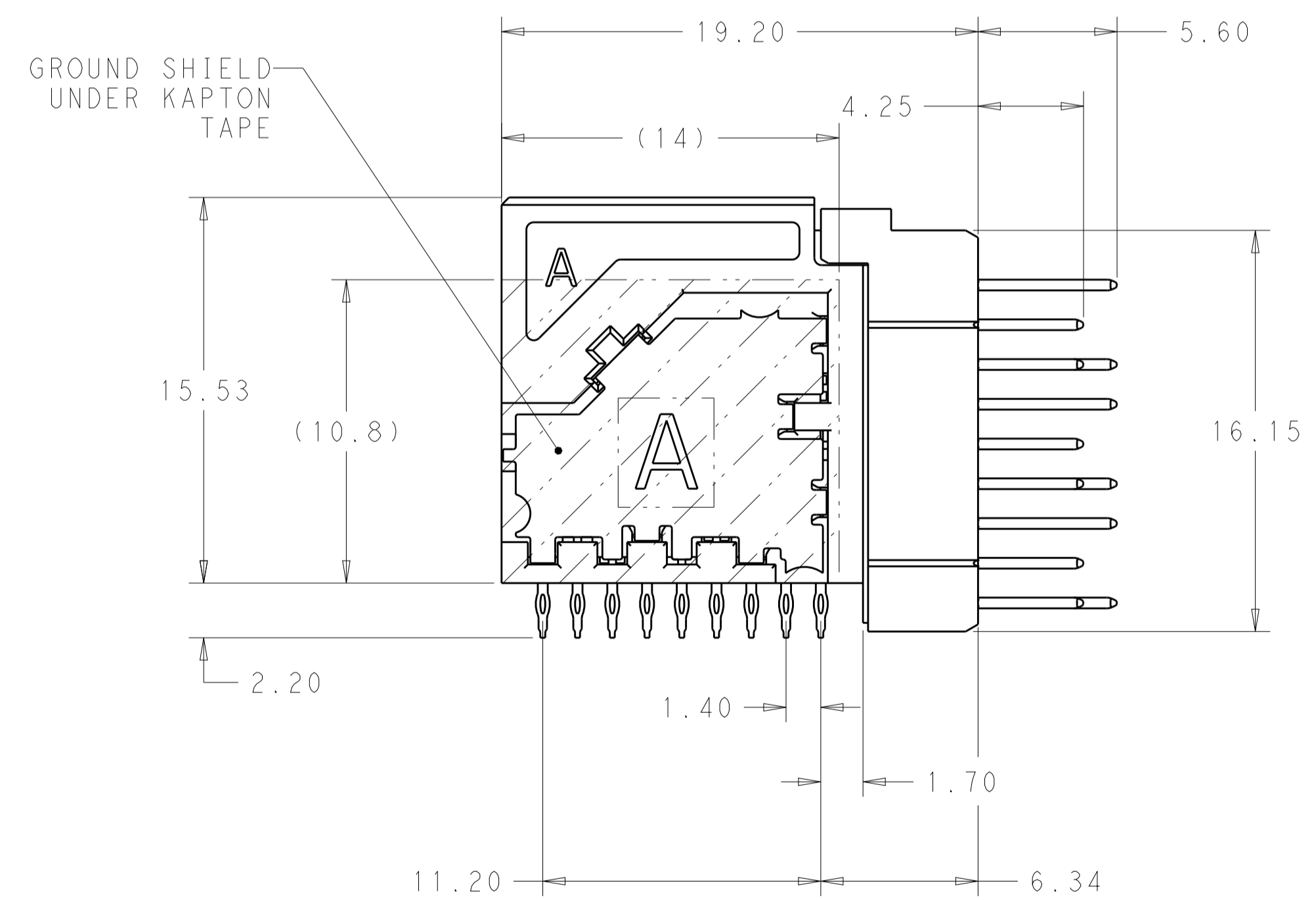


2102436-1, 2102436-3

RECOMMENDED PC BOARD LAYOUT
 COMPONENT SIDE SHOWN
 SCALE 10:1

- = SIGNAL
- ⊗ = GROUND

- 1 MATERIAL:**
 CONTACT AND SHIELD: COPPER ALLOY
 HOUSING AND CHICKLET: LCP, COLOR: BLACK
 TAPE: POLYIMIDE FILM WITH SILICONE ADHESIVE
- 2 FINISH:**
 CONTACT: MATING AREA: 1.27µm MIN GOLD OVER
 1.27µm MIN NICKEL
 COMPLIANT PIN: 0.5µm MIN MATTE TIN OVER
 1.27µm MIN NICKEL
 SHIELD: 1.27µm MIN NICKEL
- 3 DIMENSION APPLIES TO CENTERLINE OF THRU HOLE**
- 4 PER APPLICATION SPEC 114-13267 MANUFACTURING TOLERANCES FOR**
 Ø0.46±.06 FINISHED HOLE WITH SnPb PLATING
 DRILLED HOLE = Ø0.55±.025
 Cu PLATING = 0.038±0.013
 SnPb PLATING = 0.008±0.004
 OR
 Ø0.47±.055 FINISHED HOLE WITH OUT SnPb PLATING
 DRILLED HOLE = Ø0.55±.025
 Cu PLATING = 0.038±0.013
- 5 GROUNDS ARE CONNECTED THROUGH GROUNDING SHIELD. GROUNDS DO NOT APPLY TO SINGLE ENDED MODULE.**
- 6 SEE PRINT 2102427-1 FOR DIMENSIONS**
- 7 FINISH:**
 CONTACT: MATING AREA: 1.27µm MIN GOLD OVER
 1.27µm MIN NICKEL
 COMPLIANT PIN: 0.5µm MIN BRIGHT TIN LEAD OVER
 1.27µm MIN NICKEL
 SHIELD: 1.27µm MIN NICKEL

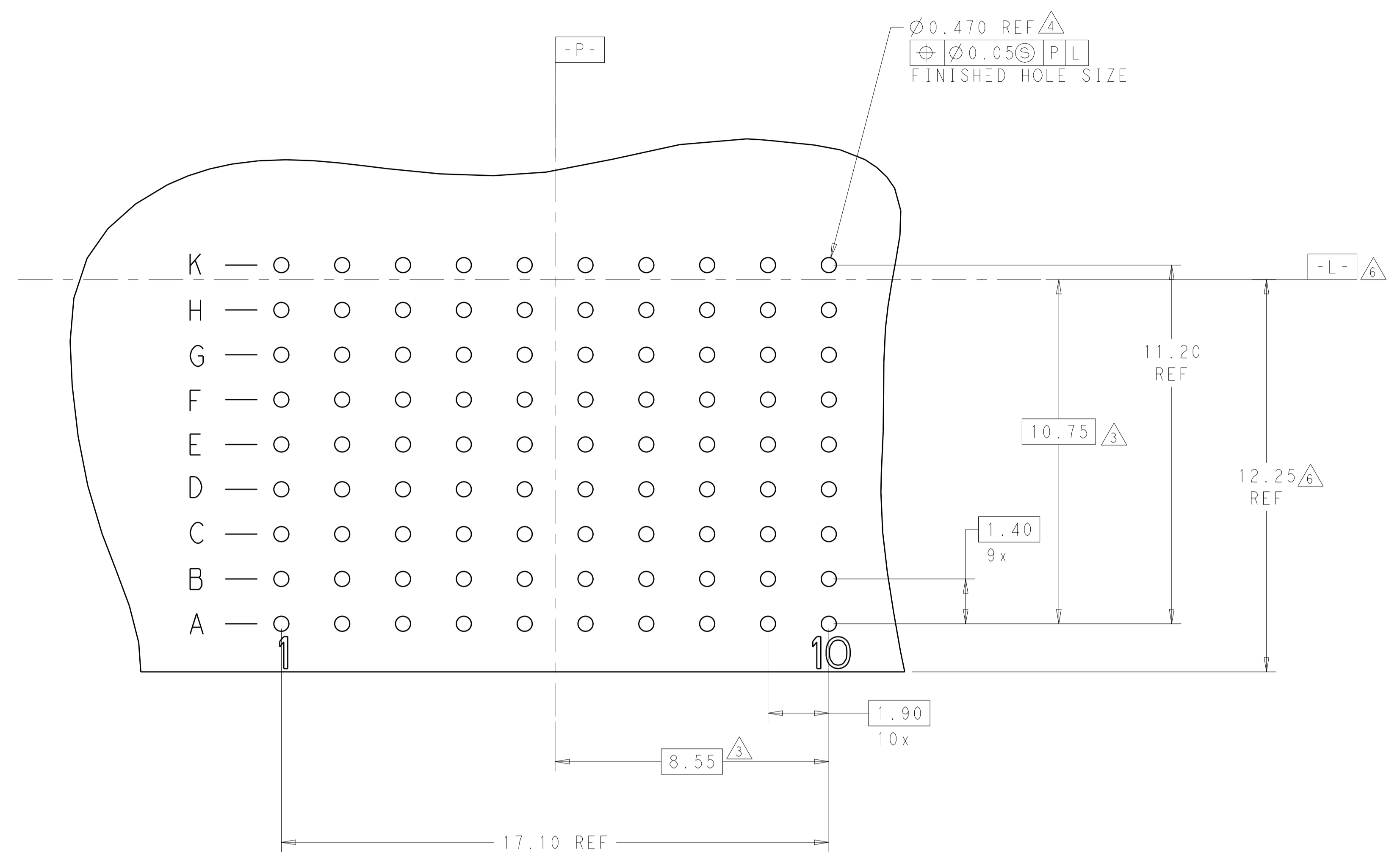


1	SINGLE ENDED	2102436-4
1	DIFFERENTIAL PAIR	2102436-3
2	SINGLE ENDED	2102436-2
2	DIFFERENTIAL PAIR	2102436-1
FINISH	DESCRIPTION	PART NUMBER

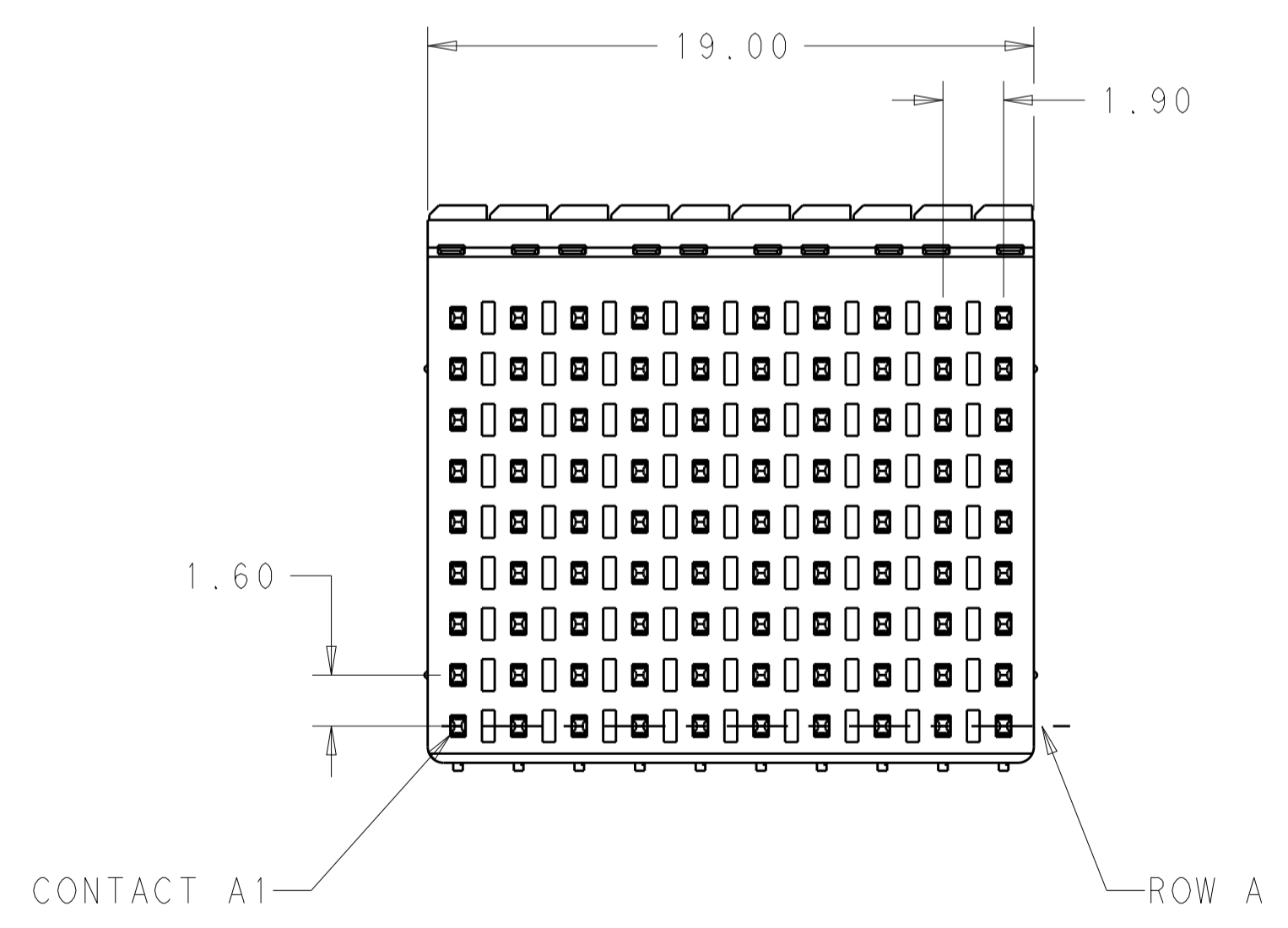
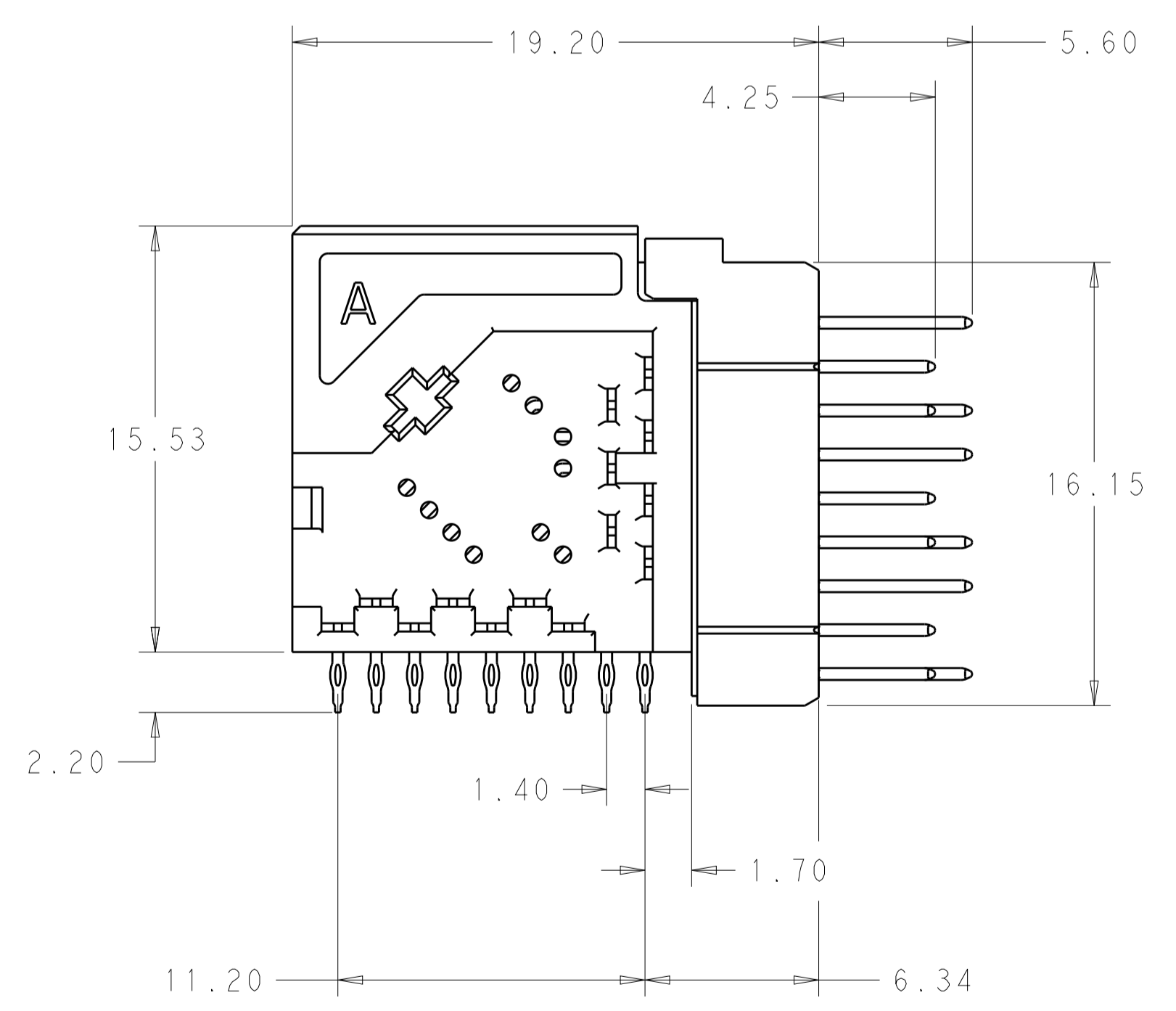
DIMENSIONS:		TOLERANCES UNLESS OTHERWISE SPECIFIED:		MATERIAL:	
mm	0 PLC	±		SEE TABLE	
	1 PLC	±0.13			
	2 PLC	±0.10			
	3 PLC	±			
	4 PLC	±			
	ANGLES	±	±2°		

THIS DRAWING IS A CONTROLLED DOCUMENT.	DWN: D. BELACK	TOMAR2011
CHK: K. MILLER	APVD: K. THACKSTON	
PRODUCT SPEC: 108-2409	APPLICATION SPEC: 114-13267	SIZE: A
WEIGHT: ~12.08 g	CAGE CODE: 2102436	RESTRICTED TO: -
CUSTOMER DRAWING	SCALE: 1:1	SHEET 1 OF 2

LOC	DIST	REV	DATE	BY	APPV
-	-	1	-	-	-
REVISIONS					
DESCRIPTION		DATE	BY	APPV	
SEE SHEET 1		-	-	-	-



2102436-2, 2102436-4



THIS DRAWING IS A CONTROLLED DOCUMENT.		DWN D. BELACK 10MAR2011 CHK K. MILLER APVD K. THACKSTON	TE Connectivity	
DIMENSIONS: mm 	TOLERANCES UNLESS OTHERWISE SPECIFIED: 0 PLC ± 1 PLC ±0.13 2 PLC ±0.10 3 PLC ± 4 PLC ± ANGLES ±2° FINISH	NAME Fortis Zd. METAL SHELL LRU, RIGHT ANGLE HEADER, MODULE PRODUCT SPEC 108-2409 APPLICATION SPEC SIZE 114-13267 WEIGHT ~ g Customer Drawing	CAGE CODE DRAWING NO. A1 SCALE 10:1 SHEET 2 OF 2 REV D	RESTRICTED TO

单击下面可查看定价，库存，交付和生命周期等信息

[>>TE Connectivity\(泰科\)](#)