

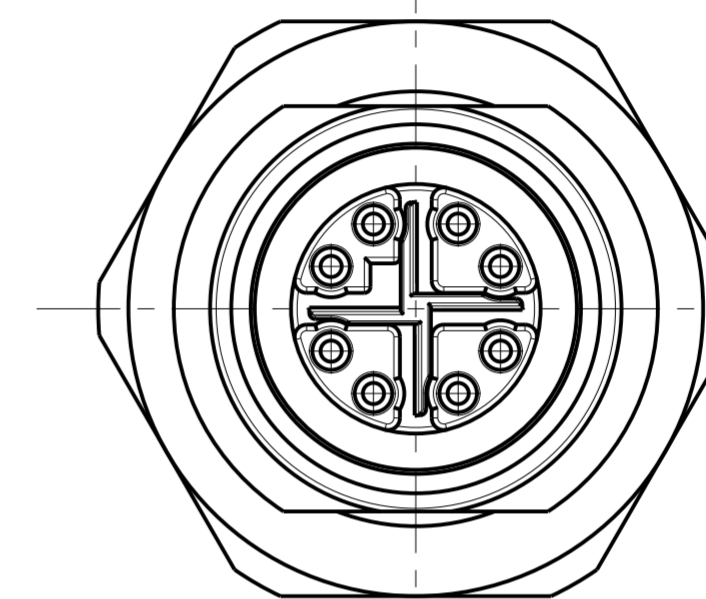
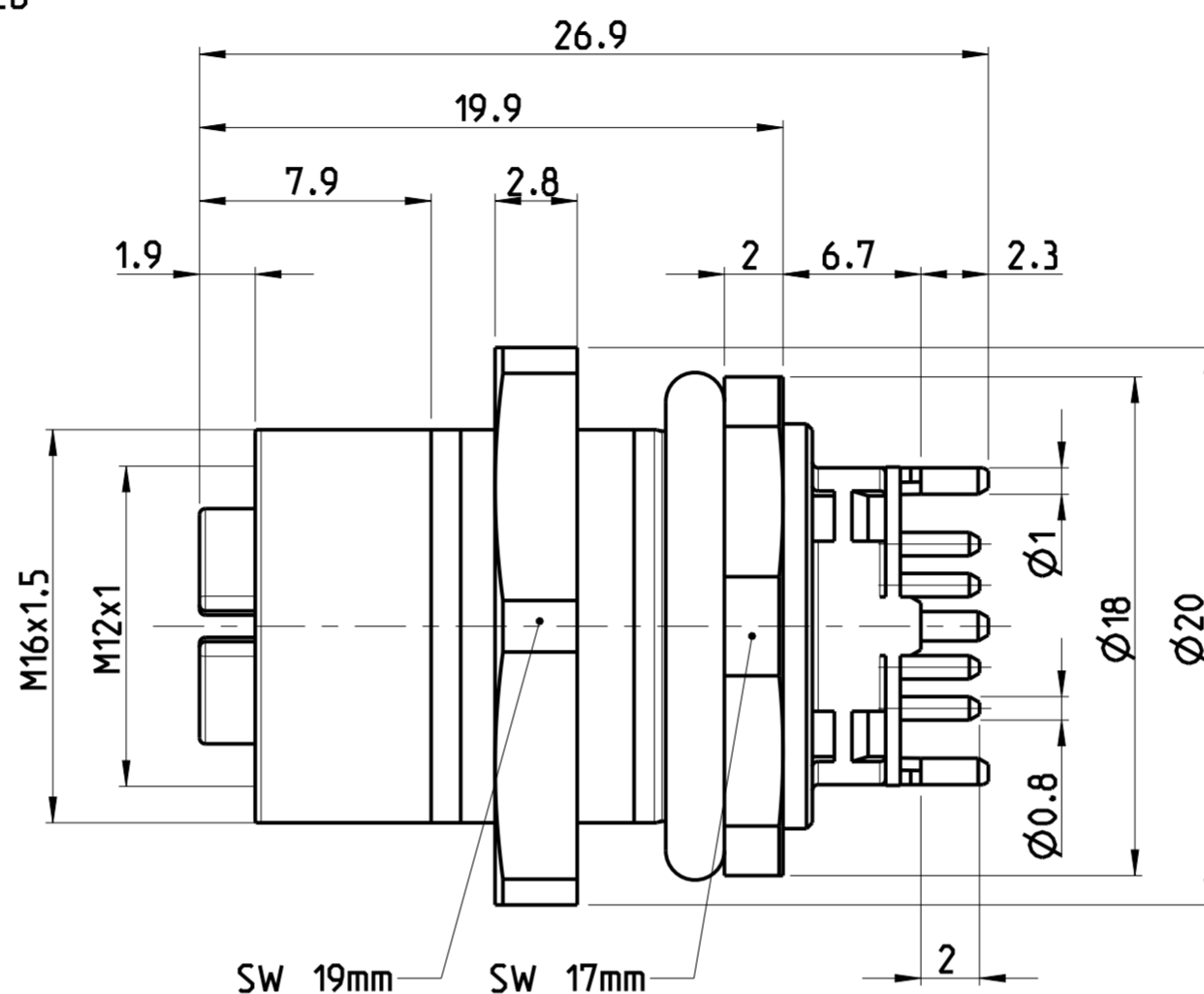
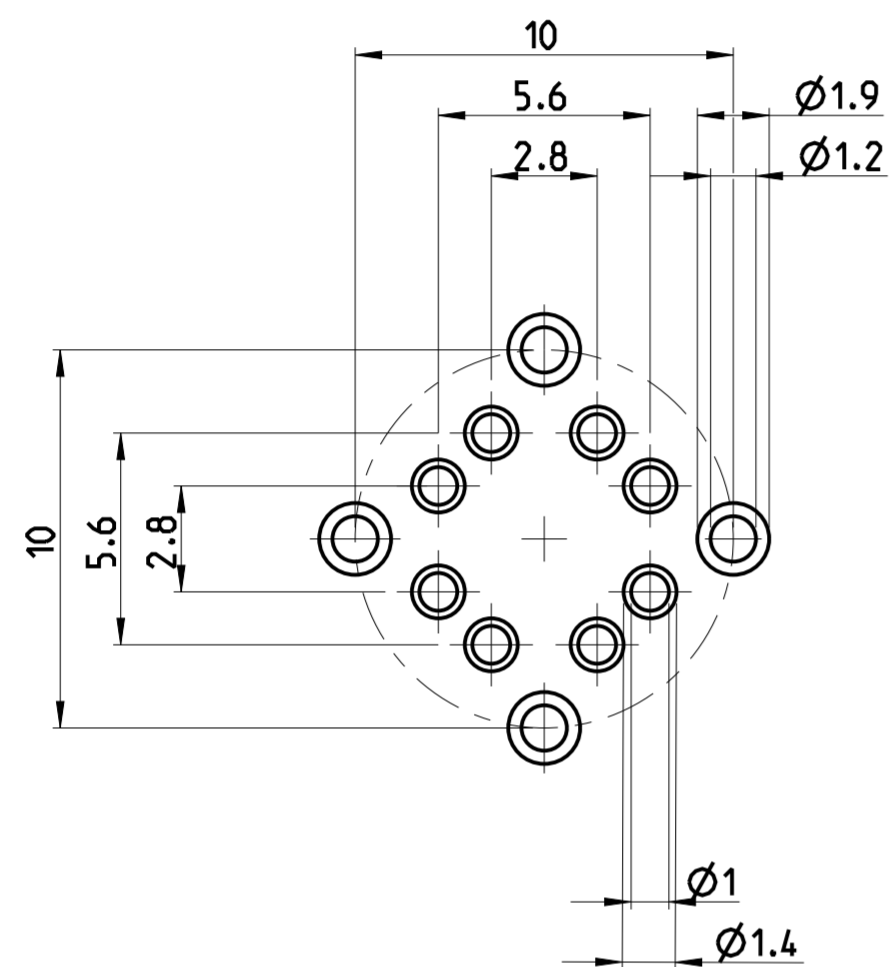
REVISIONS		DATE	DWN	APVD
ÄNDERUNGEN				
P	LTR	DESCRIPTION		
		BESCHREIBUNG		
	A1	NEW DRAWING	29MAY2014	YR CS

1 MATERIAL: ITEM NO. 1: HOUSING - ZINC DIECASTING, NICKEL PLATED
 ITEM NO. 2: CONTACT BODY - PA
 ITEM NO. 3: CONTACT - CuSn (bronze)
 CONTACT FINISH - Au (gold)

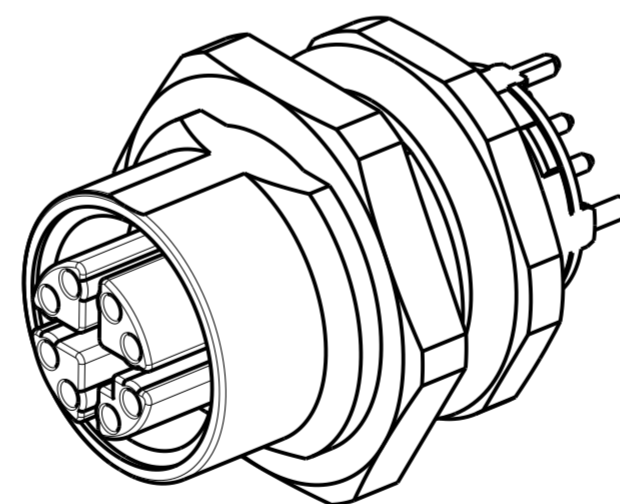
2 ALL DIMENSIONS ARE FOR NOMINAL REFERENCE ONLY UNLESS OTHERWISE STATED

3 MEASUREMENT REFERENCE ONLY

4 PACKAGING: 20 PIECES IN A TRAY / BLISTER

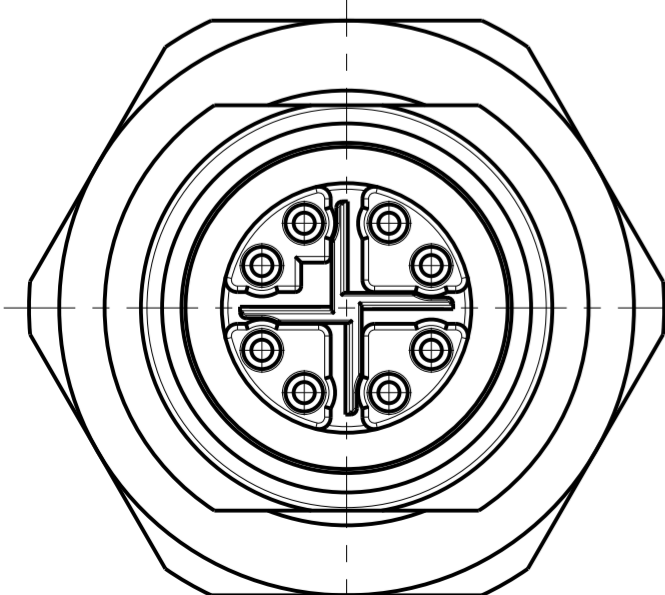


PANEL MOUNTING DETAILS



PIN ARRANGEMENT X-CODING (SCALE 4:1)

2120953-1



TECHNICAL DATA

TECHNICAL DATA	2120953-1
RATED VOLTAGE	50AC -60DC
RATED IMPULSE VOLTAGE	CAT 6A
POLLUTION DEGREE	3
OVERVOLTAGE CATEGORY	II
MATERIAL GROUP	III
RATED CURRENT	0.5A
VOLUME RESISTIVITY	≤10mΩ
DEGREE OF PROTECTION	IP67
UPPER TEMPERATURE	+85 °C
LOWER TEMPERATURE	-40 °C

SIZE ISO 14405 (E)

-	⚠	8	2120953-1
WIRES AWG / mm²	MATERIAL	NUMBER OF POLES	TE-PART-NO.

DIESE ZEICHNUNG IST EIN KONTROLLIERTES DOKUMENT. BEMASSUNGEN UND TOLERANZEN GEMAESS GPS (ISO STANDARDS).

THIS DRAWING IS A CONTROLLED DOCUMENT. DIMENSIONING AND TOLERANCING PER GPS (ISO STANDARDS).

DIMENSIONS: MASSE/MASSSTAB: (mm)	TOLERANCES UNLESS OTHERWISE SPECIFIED: ALLGEMEINTOLERANZEN	DWN YASHKUMAR 29MAY2014
		CHK M.STRELOW 29MAY2014
		APVD C.SCHREITLINGER 29MAY2014
		NAME M12 RECEPTACLE, PCB MOUNT CONNECTOR, X-CODING
MATERIAL	FINISH/OBERFLÄCHE/FARBE	SIZE A2
		CAGE CODE 00779
		DRAWING NO. C-2120953
		RESTRICTED TO MUR FUER
		Customer Drawing
		/KUNDENZEICHNUNG
		SCALE MASSSTAB 4:1
		SHEET BLATT 1 OF 1
		REV A1



单击下面可查看定价，库存，交付和生命周期等信息

[>>TE Connectivity\(泰科\)](#)