

4

3

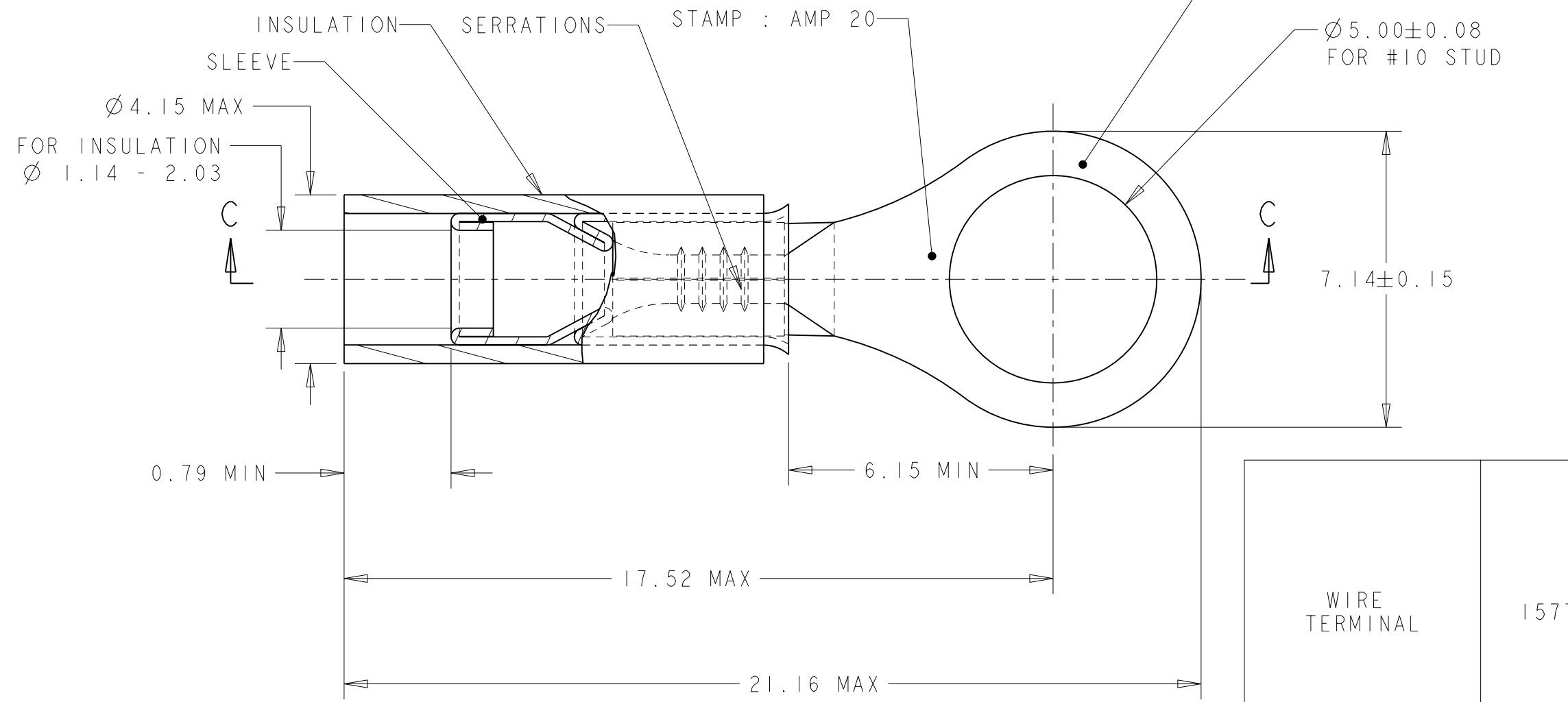
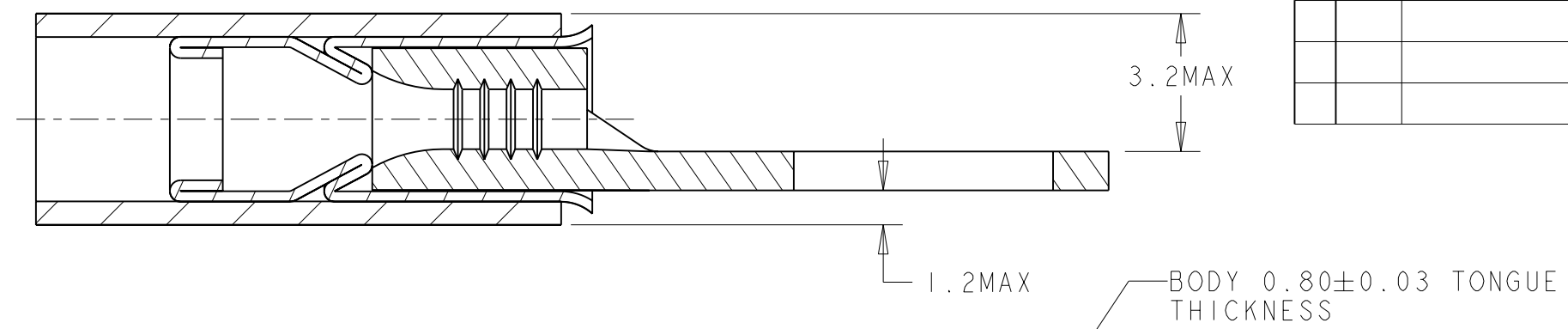
2

1

THIS DRAWING IS UNPUBLISHED. RELEASED FOR PUBLICATION 20
 © COPYRIGHT 20 BY TYCO ELECTRONICS CORPORATION. ALL RIGHTS RESERVED.

LOC	DIST	REVISIONS			
P	LTR	DESCRIPTION	DATE	DWN	APVD
F	00	B	ECR 07-025006	24OCT2007	JT GR

COUPE C-C



WIRE TERMINAL	1577624-1	BODY : COPPER ANNEALED FINISH : NICKEL PLATED
		SLEEVE : COPPER ANNEALED FINISH : NICKEL PLATED
		INSULATION : PEEK COLOR : GREY
DESCRIPTION	PART NUMBER	MATERIAL & FINISH

<small>THIS DRAWING IS A CONTROLLED DOCUMENT FOR TYCO ELECTRONICS CORPORATION IT IS SUBJECT TO CHANGE AND THE CONTROLLING ENGINEERING ORGANIZATION SHOULD BE CONTACTED FOR THE LATEST REVISION.</small>		DWN	02NOV2005	TYCO ELECTRONICS France SAS	
DIMENSIONS: mm		CHK	02NOV2005	BP 30039, 95301 CERGY-PONTOISE Cedex	
		APVD	02NOV2005	NAME	
TOLERANCES UNLESS OTHERWISE SPECIFIED:		PRODUCT SPEC	108-15356	TERMINAL, PEEK PIDG STRATO, 20 AWG	
0 PLC ±-	1 PLC ±0.3	APPLICATION SPEC	114-15102	SIZE	CAGE CODE
2 PLC ±-	3 PLC ±-	WEIGHT	0,65 gr	A300779	DRAWING NO
4 PLC ±-	ANGLES ±5	MATERIAL	SEE TABLE	C=1577624	
FINISH	SEE TABLE	CUSTOMER DRAWING		RESTRICTED TO	-
				SCALE	8:1
				SHEET	1 OF 1
				REV	B

单击下面可查看定价，库存，交付和生命周期等信息

[>>TE Connectivity\(泰科\)](#)