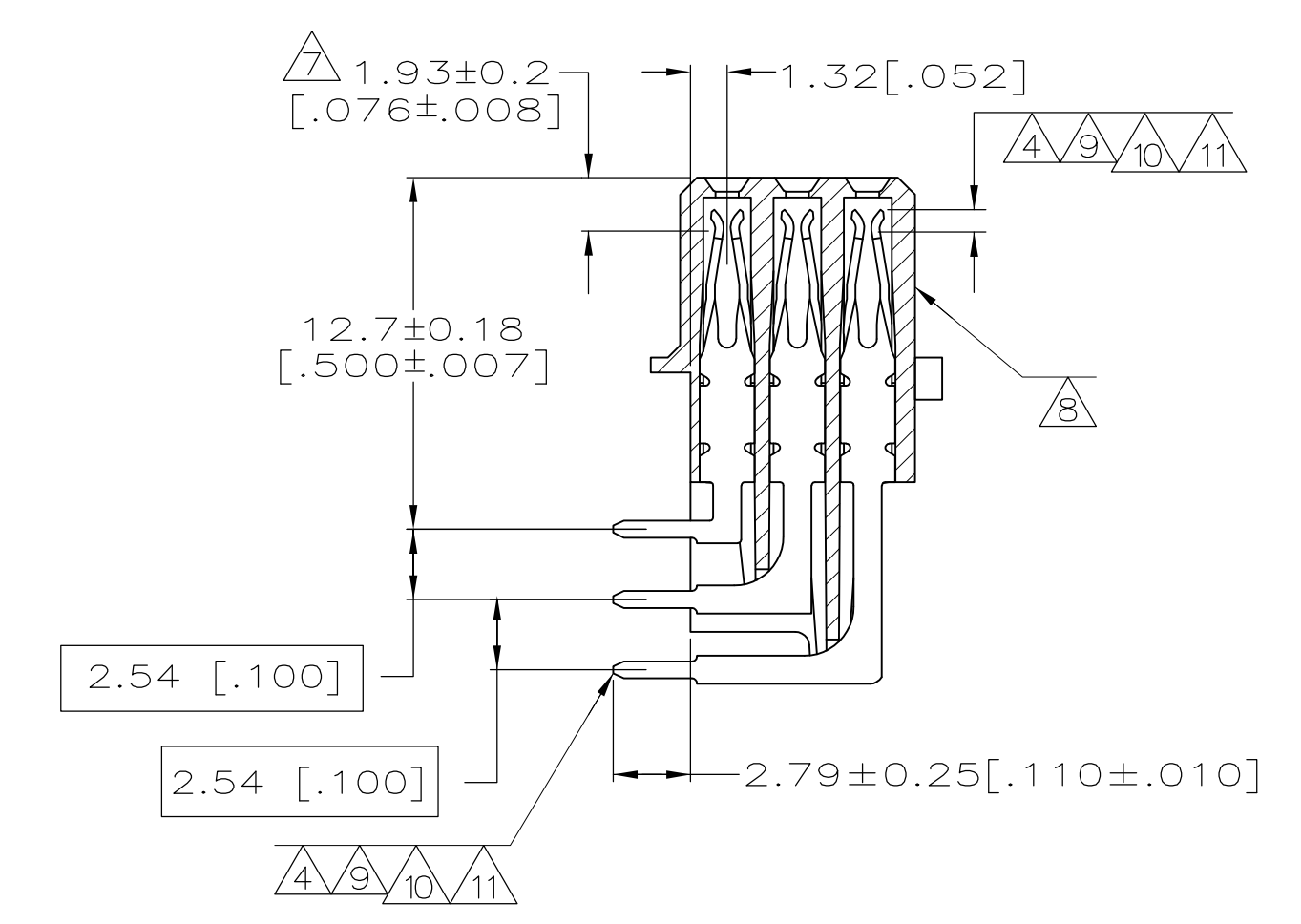
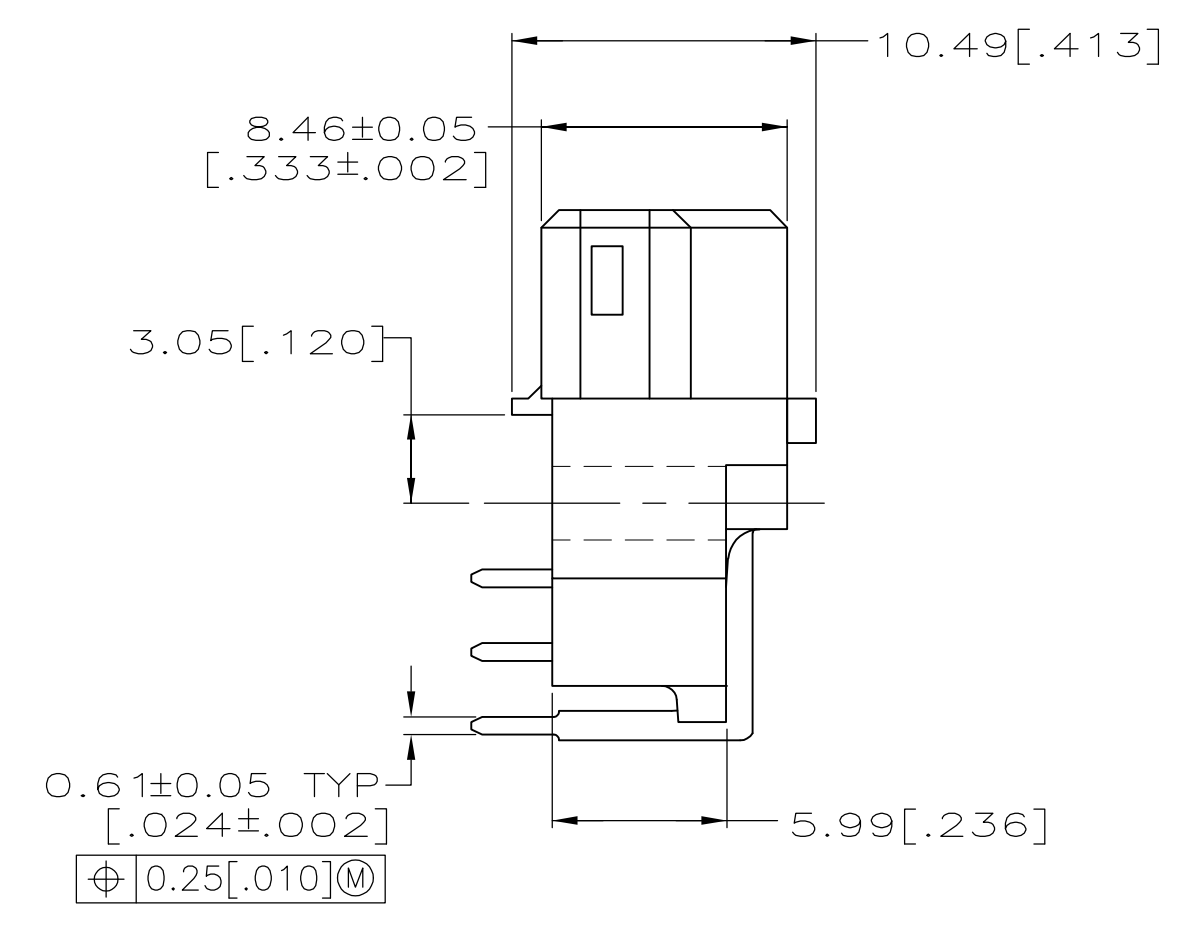
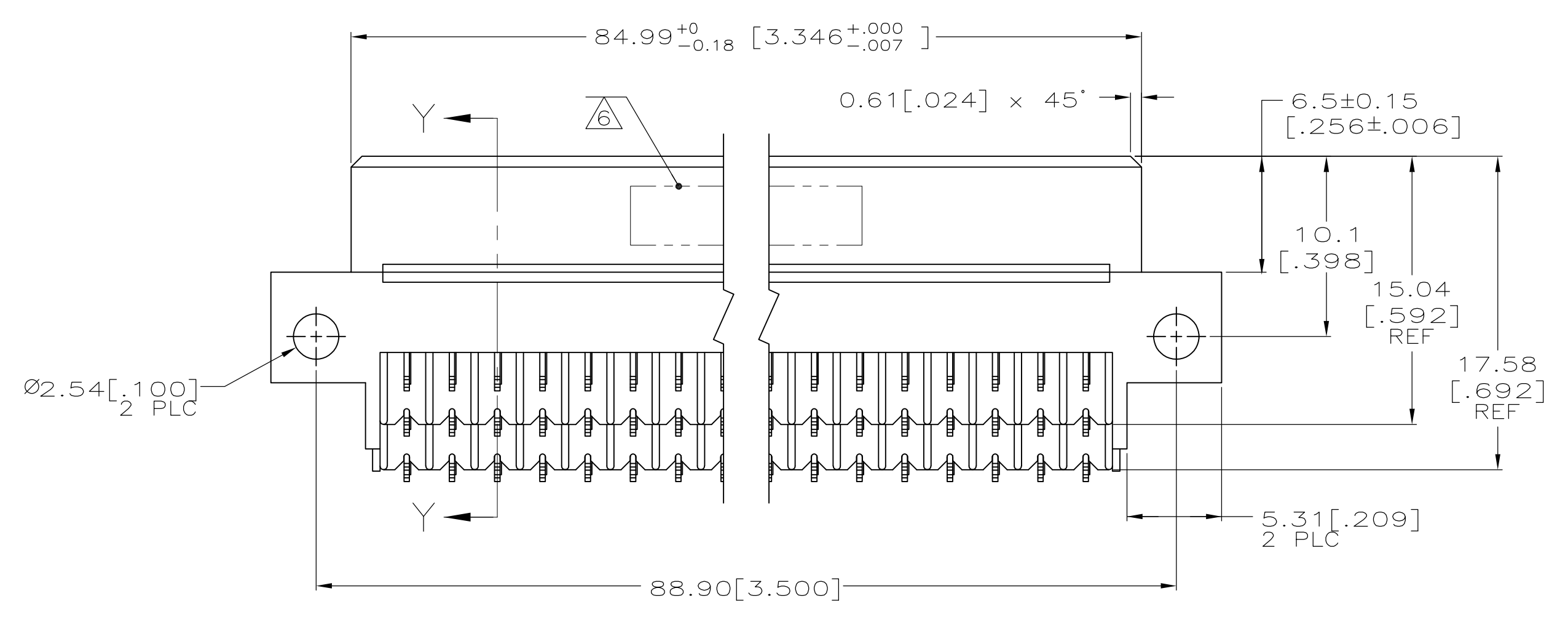
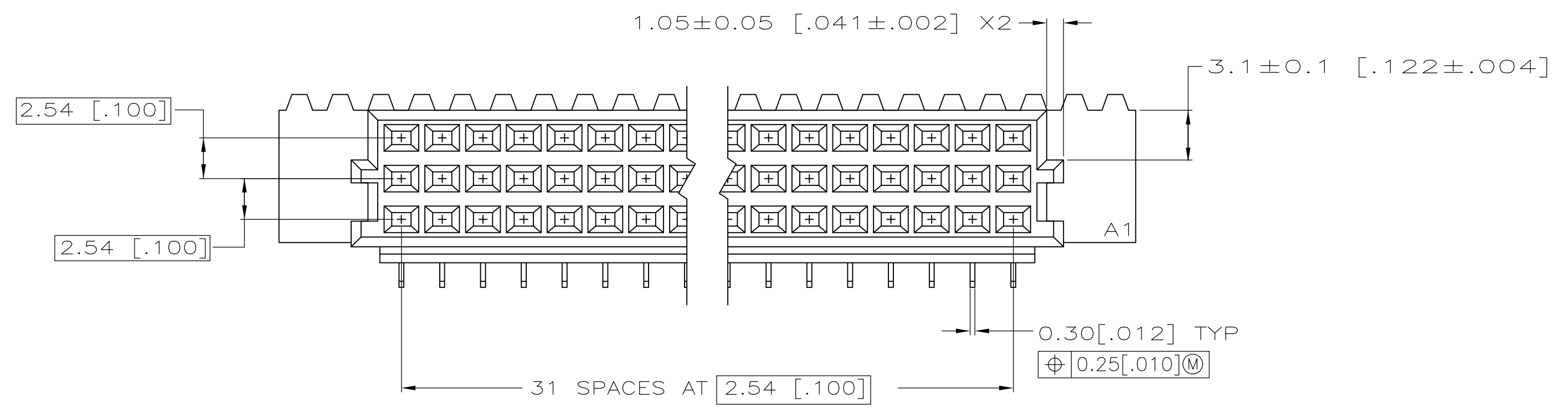
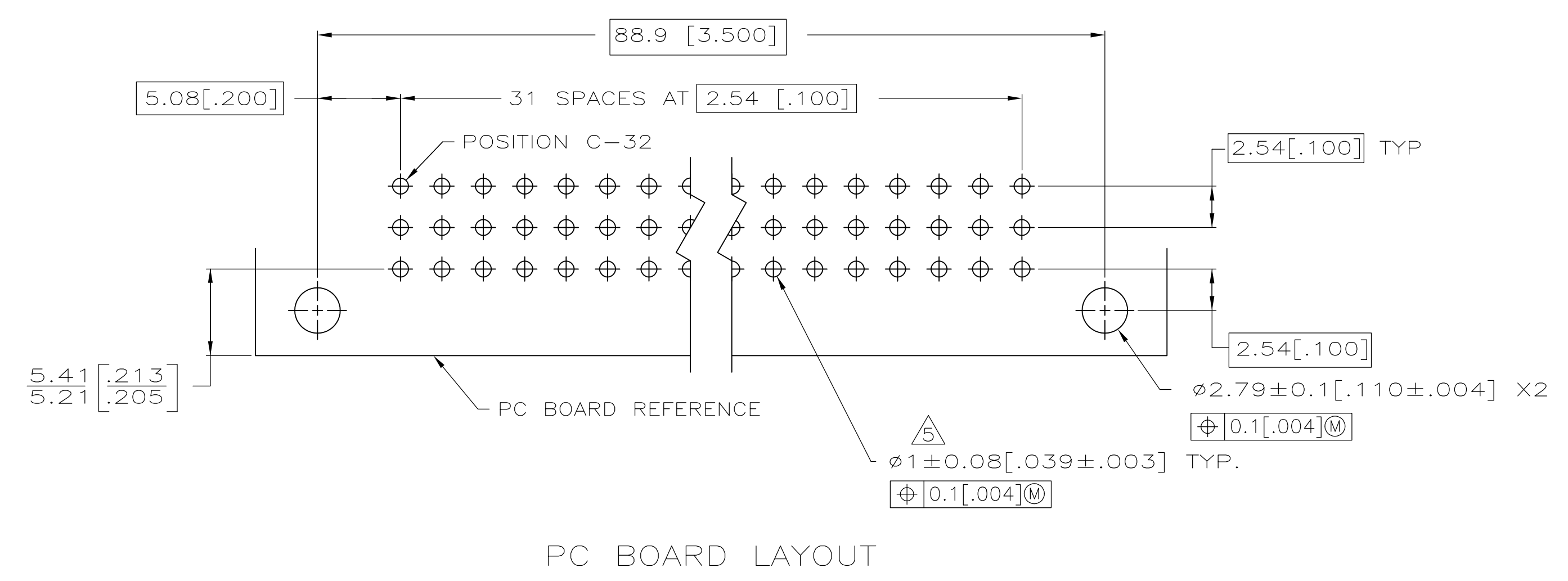
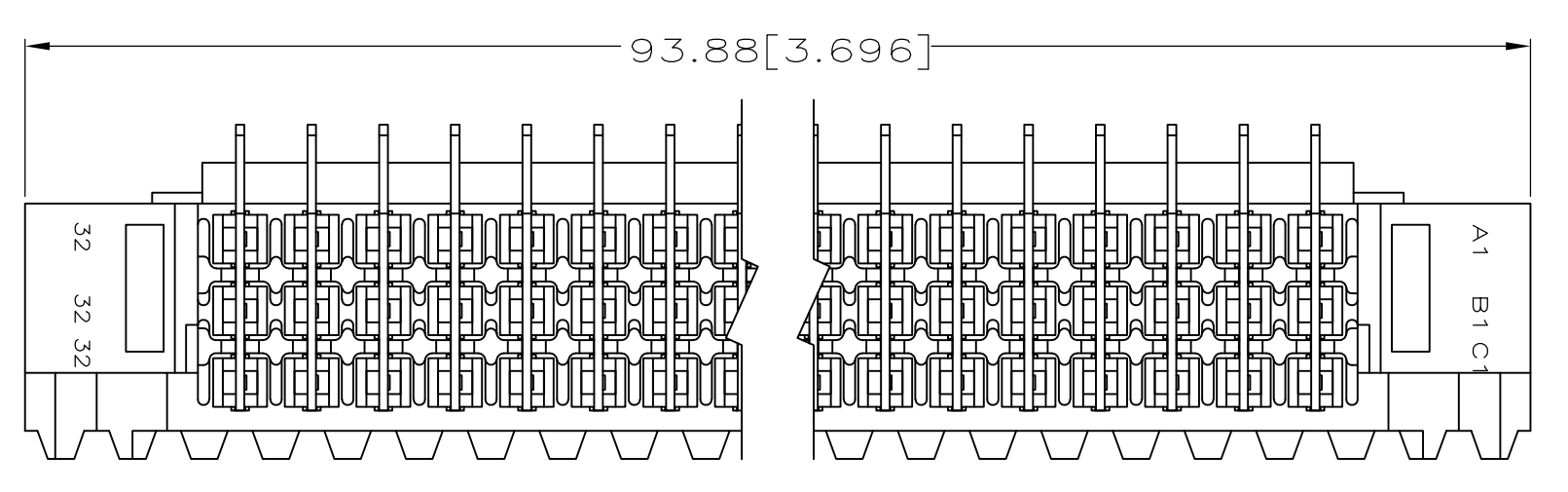


LOC		DIST		REVISIONS			
P	LTR	DESCRIPTION	DATE	OWN	APP'D		
S1		REVISED PER ECO-11-004835	11MAR11	RK	HMR		



SECTION Y-Y



PC BOARD LAYOUT

1. DIMENSIONS IN BRACKETS ARE IN INCHES.
2. HOUSING MATERIAL: GLASS-FILLED POLYESTER. COLOR: GRAY.
3. CONTACT MATERIAL: PHOSPHOR BRONZE.
4. CONTACT FINISH: 0.00076[.000030] GOLD IN CONTACT AREA. 0.00127[.000050] NICKEL UNDERPLATE ALL OVER. TIN-LEAD ON POSTS.
5. RECOMMENDED HOLE SIZE FOR MANUAL APPLICATION OF CONNECTOR ONTO PC BOARD.
6. PART NUMBER, DATE CODE IDENTIFICATION, CSA LOGO HOT-STAMPED THIS APPROXIMATE AREA.
7. CONTACT POINT.
8. HOT-STAMPING ON THIS SIDE.
9. CONTACT FINISH: DIN 41612 CLASS 3 IN CONTACT AREA. TIN-LEAD ON POSTS.
10. CONTACT FINISH: 0.00127[.000050] GOLD IN CONTACT AREA. 0.00127[.000050] NICKEL UNDERPLATE ALL OVER. TIN-LEAD ON POSTS.
11. CONTACT FINISH: DIN 41612 CLASS 2 IN CONTACT AREA. TIN-LEAD ON POSTS.

OBSOLETE	REV	POSITIONS	ROWS LOADED			NO. OF LOADED POSITION	ASSY PART NUMBER
			C	B	A		
	9	1 THRU 32	X	X	X	96	650461-9
	11	1 THRU 32	X	X	X	96	650461-6
	11	1 THRU 32	X	X	X	96	650461-5
	4	1 THRU 32	X	X	X	96	650461-4
	10	1 THRU 32	X	X	X	96	650461-1
NOTES		POSITIONS LOADED	C	B	A	NO. OF LOADED POSITION	ASSY PART NUMBER
THIS DRAWING IS A CONTROLLED DOCUMENT.		DWN L. BRINER 13MAR90		CHK N. DRASHER 24OCT90		NAME	
DIMENSIONS: mm(INCHES)		TOLERANCES UNLESS OTHERWISE SPECIFIED:		APVD N. DRASHER 24OCT90		PRODUCT SPEC	
0 PLC ± -		1 PLC ± -		2 PLC ± -		3 PLC ± -	
4 PLC ± 0.13(.005)		ANGLES ± -		APPLICATION SPEC		SIZE CAGE CODE DRAWING NO	
MATERIAL		FINISH		WEIGHT		SCALE	
2 3		4 9 10 11		-		A1 00779 C=650461	
CUSTOMER DRAWING		SCALE 4:1		SHEET 1 OF 1		REV S1	



ASSEMBLY, RECEPTACLE, EUROCARD, TYPE R, 96 POSITION

单击下面可查看定价，库存，交付和生命周期等信息

[>>TE Connectivity\(泰科\)](#)