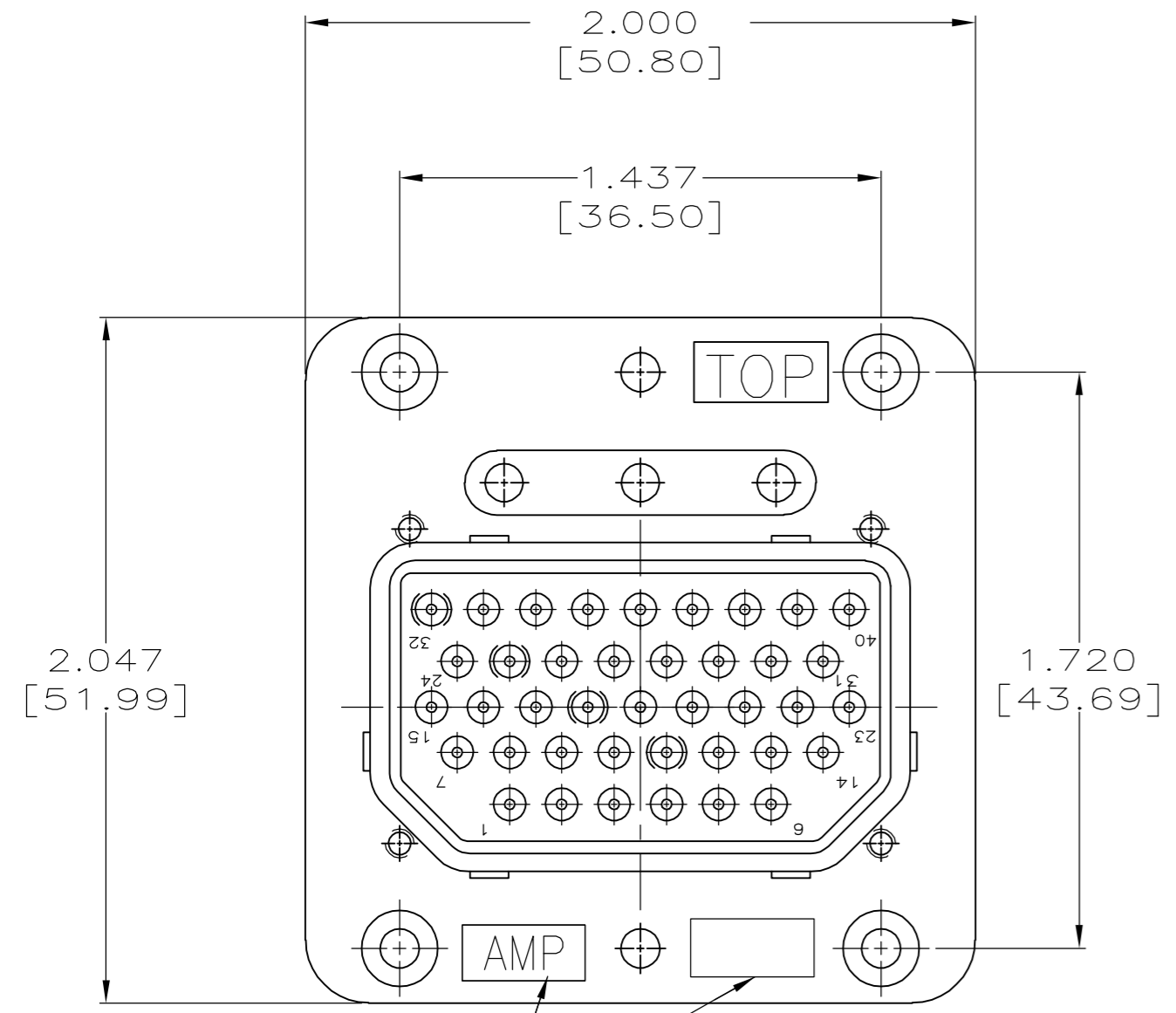


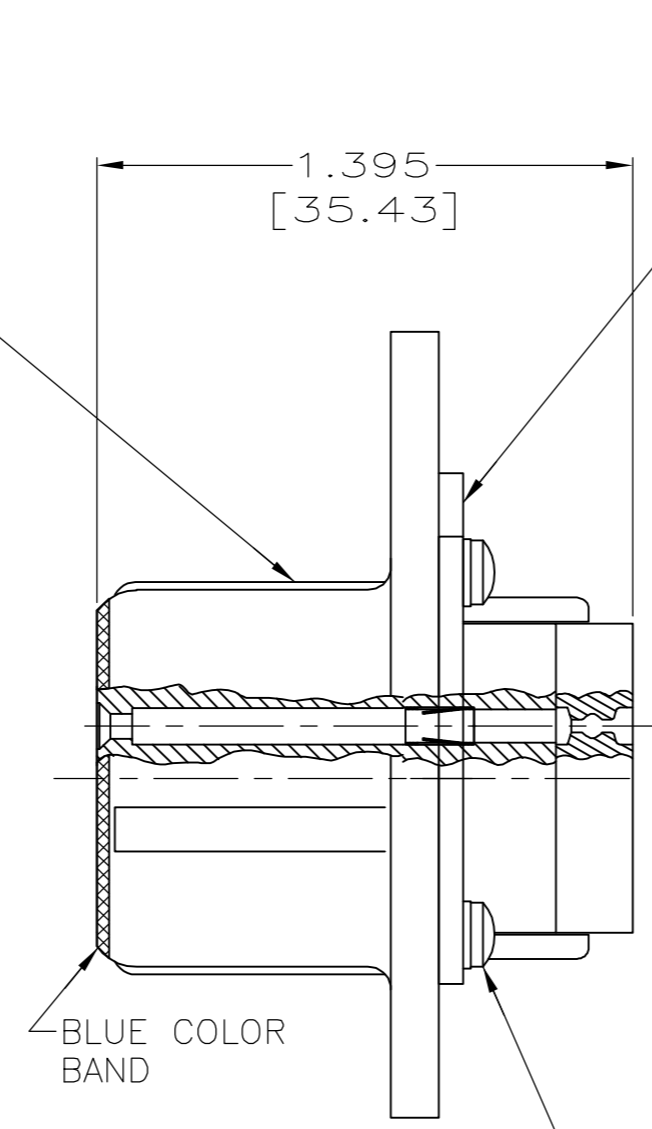
THIS DRAWING IS UNPUBLISHED. RELEASED FOR PUBLICATION
 © COPYRIGHT BY TYCO ELECTRONICS CORPORATION. ALL RIGHTS RESERVED.

LOC		DIST		REVISIONS			
P	LTR	DESCRIPTION		DATE	DWN	APVD	
B		REV PER OH14-0208-04		22SEP05	TK	CT	

△ MARK AMP, AMP PART NUMBER AND DATE CODE IN AREA SHOWN.



△ 1
PART
NUMBER



RETAINER PLATE
MATL: ALUMINUM ALLOY
FINISH: BLUE ANODIZED

PLUG SHELL
MATL: ALUMINUM ALLOY
FINISH: CADMIUM PLATED, YELLOW CHROMATE

40S INSERT
MATL: EPOXY MLDG CMPD

SCREWS & LOCKWASHERS
MATL: STAINLESS STEEL
FINISH: PASSIVATED

Ø.120±.002
[3.05±0.05]
2 PLC

△ 1
DATE CODE

THIS DRAWING IS A CONTROLLED DOCUMENT.		DWN T. THOMPSON 17JUN98	 Tyco Electronics Corporation Harrisburg, PA 17105-3608	NAME		
DIMENSIONS: INCHES		CHK J. WEAVER 17JUN98		PLUG ASSY, ARINC 404 MME1P40S-0300(201)		
TOLERANCES UNLESS OTHERWISE SPECIFIED:		APVD J. WEAVER 17JUN98		SIZE	CAGE CODE	DRAWING NO
0 PLC ± - 1 PLC ± - 2 PLC ± - 3 PLC ± .005[0.13] 4 PLC ± - ANGLES ± - FINISH -		PRODUCT SPEC		A2	00779	C=1218230
MATERIAL		APPLICATION SPEC	WEIGHT	RESTRICTED TO		
				-		
CUSTOMER DRAWING			SCALE	SHEET	REV	
			2:1	1 of 1	B	

1218230

单击下面可查看定价，库存，交付和生命周期等信息

[>>TE Connectivity\(泰科\)](#)