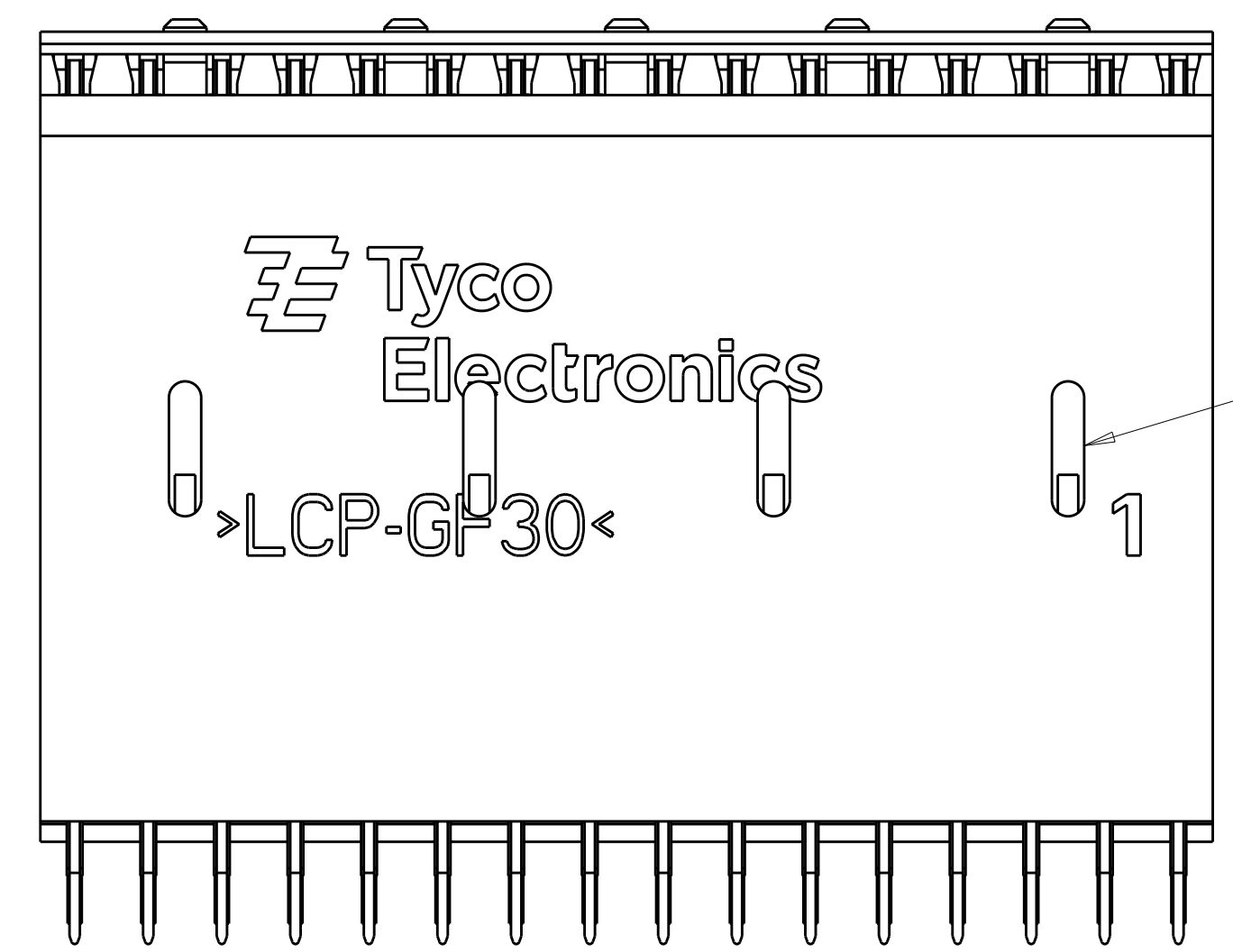
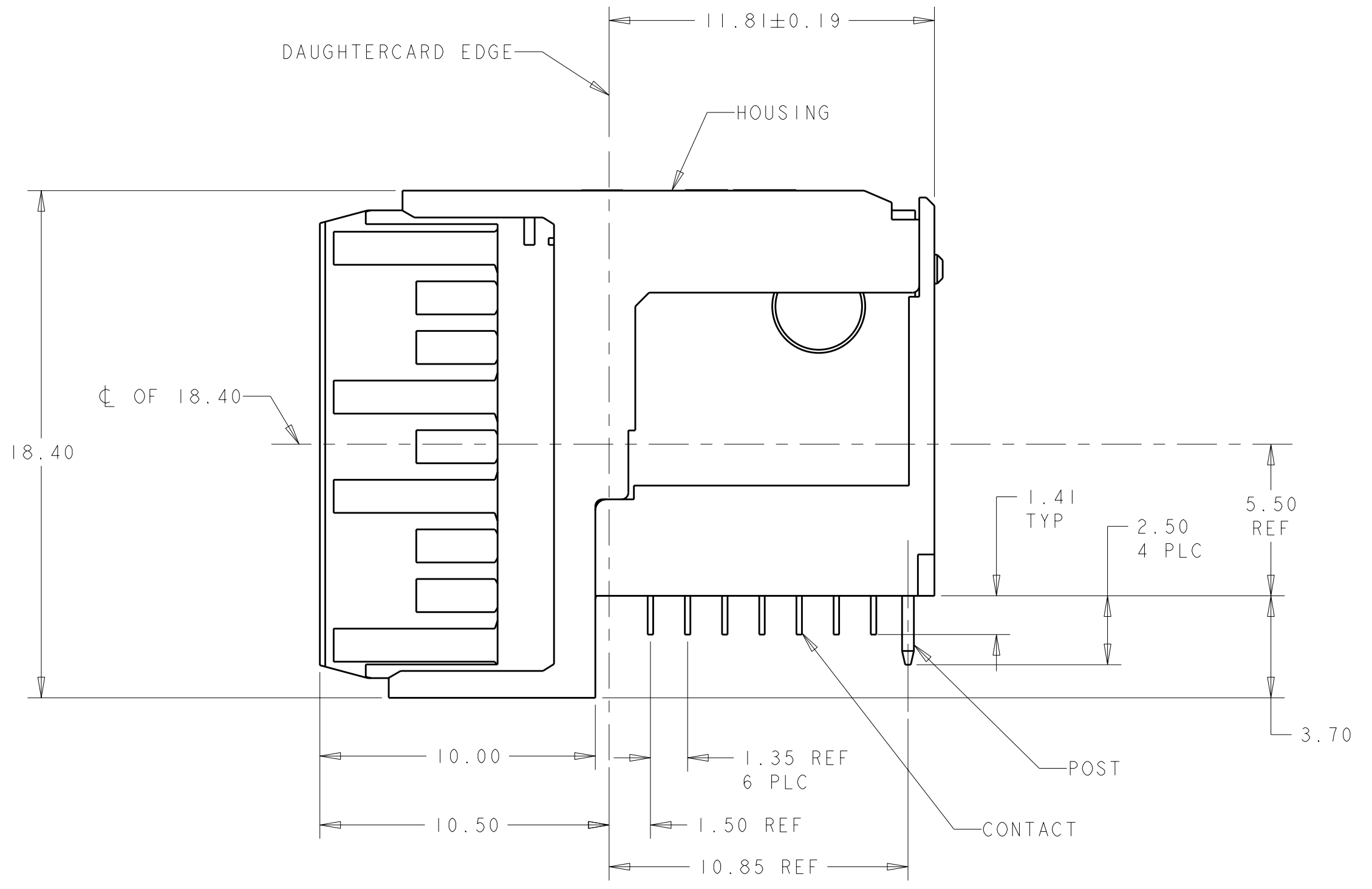
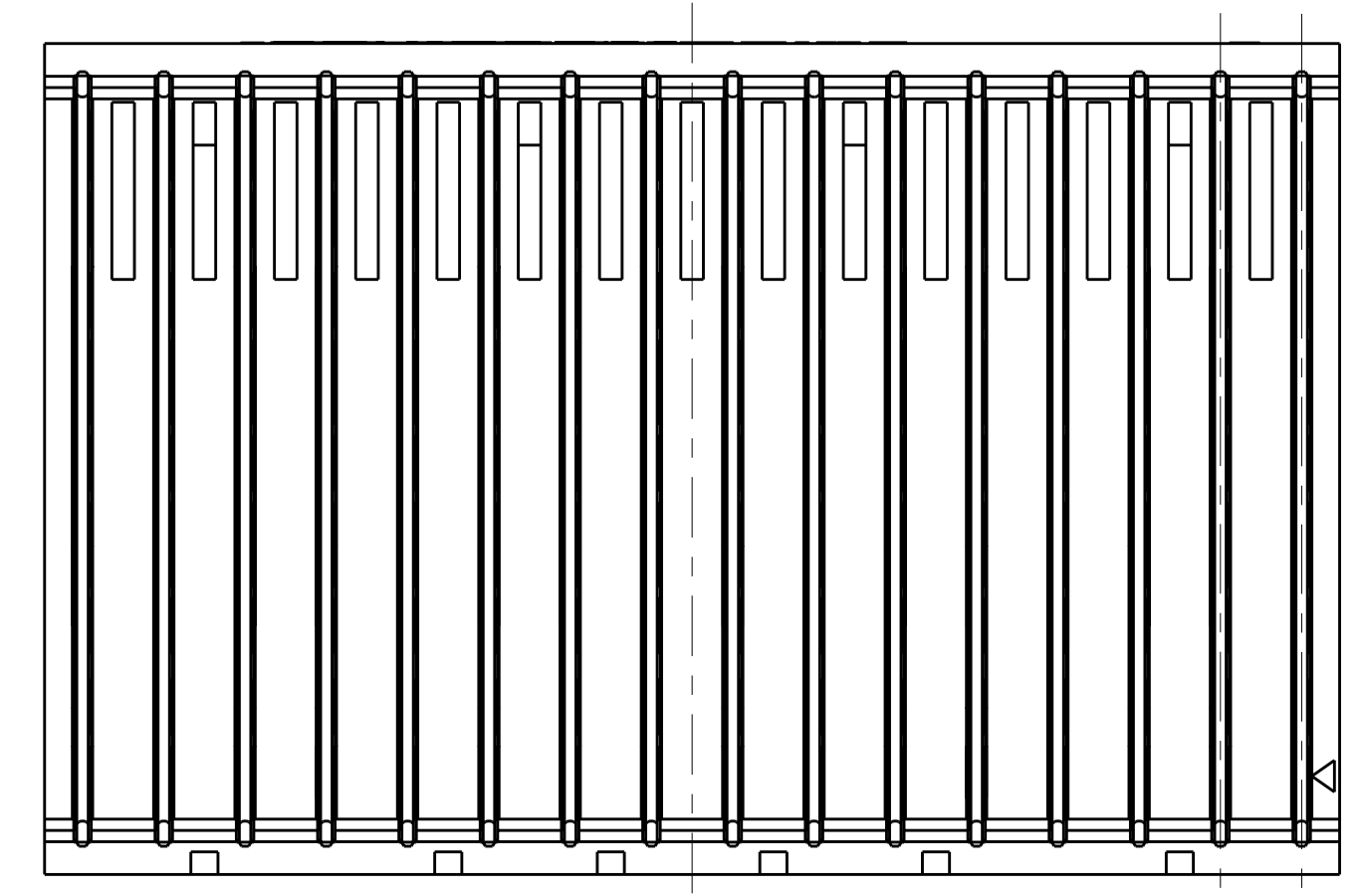


LOC	DIST	REV	DATE	BY	APP'D
DF	A5	1	05AUG2009	MM	



SLOTS FOR RECEIVING SHIELD RETENTION LEGS

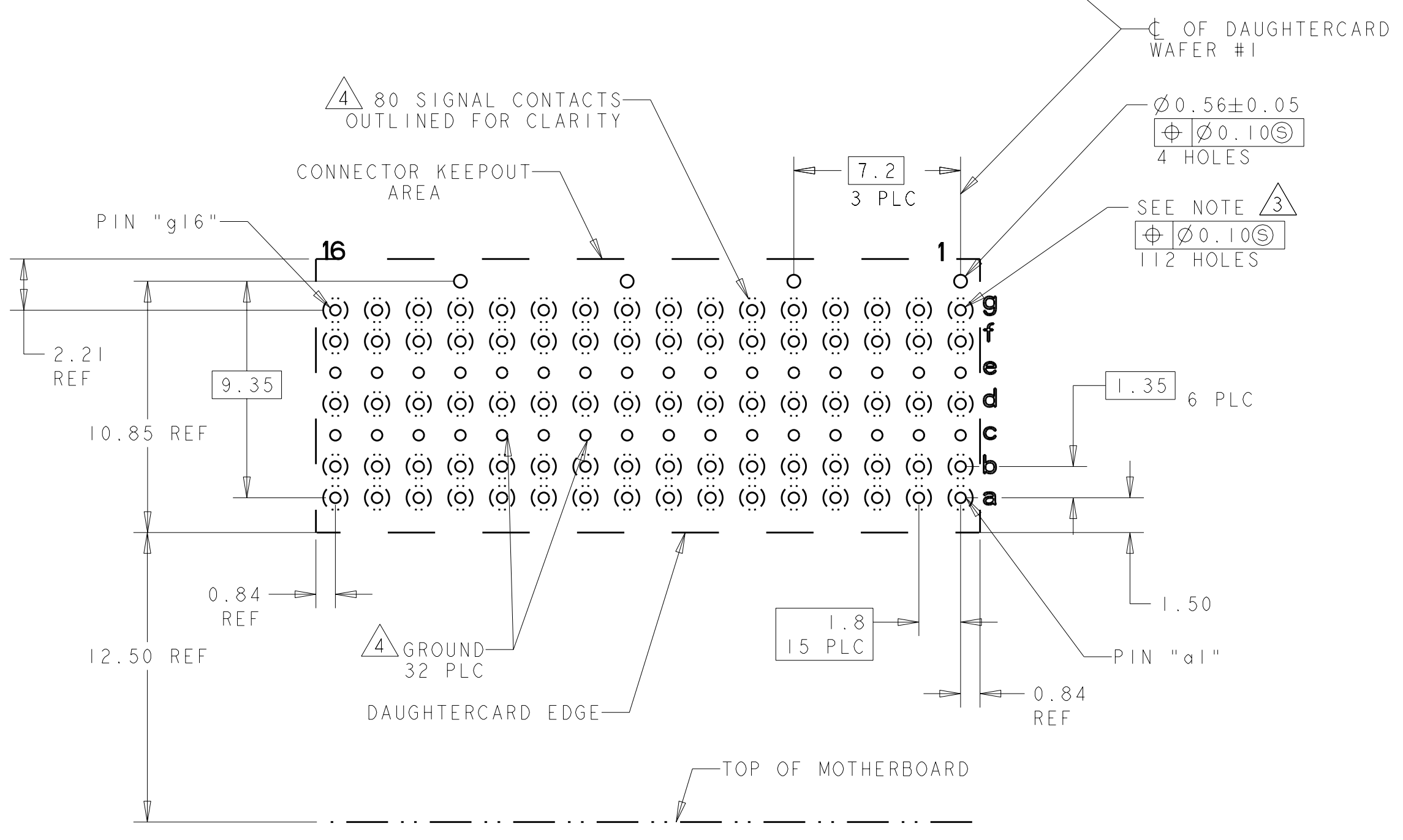


- 1 HOUSING: LCP, UL94V0, COLOR: BLACK.
CONTACT: PHOSPHOR BRONZE.
POST: BRASS WIRE
- 2 CONTACT: 1.27µm MIN GOLD IN PAD CONTACT AREA.
1.27µm MIN TIN-LEAD ON PCB TAIL
OVER 1.27µm MIN NICKEL OVER ALL.
POST 1.27µm MIN NICKEL PLATED.
- 3 MANUFACTURING TOLERANCE FOR $\varnothing 0.46 \pm 0.05$
DIAMETER FINISHED HOLE WITH SnPB PLATING:
DRILLED HOLE = $\varnothing 0.55 \pm 0.02$
COPPER PLATING = 0.025-0.050
Sn PB PLATING = 0.0038-0.0124
OR MANUFACTURING TOLERANCE FOR $\varnothing 0.475 \pm 0.05$
DIAMETER FINISHED HOLE WITHOUT SnPB PLATING:
DRILLED HOLE = $\varnothing 0.55 \pm 0.02$
COPPER PLATING = 0.025-0.050
- 4 SEE TABLE 1 FOR INTERCONNECTIONS TO BACKPLANE CONNECTOR.

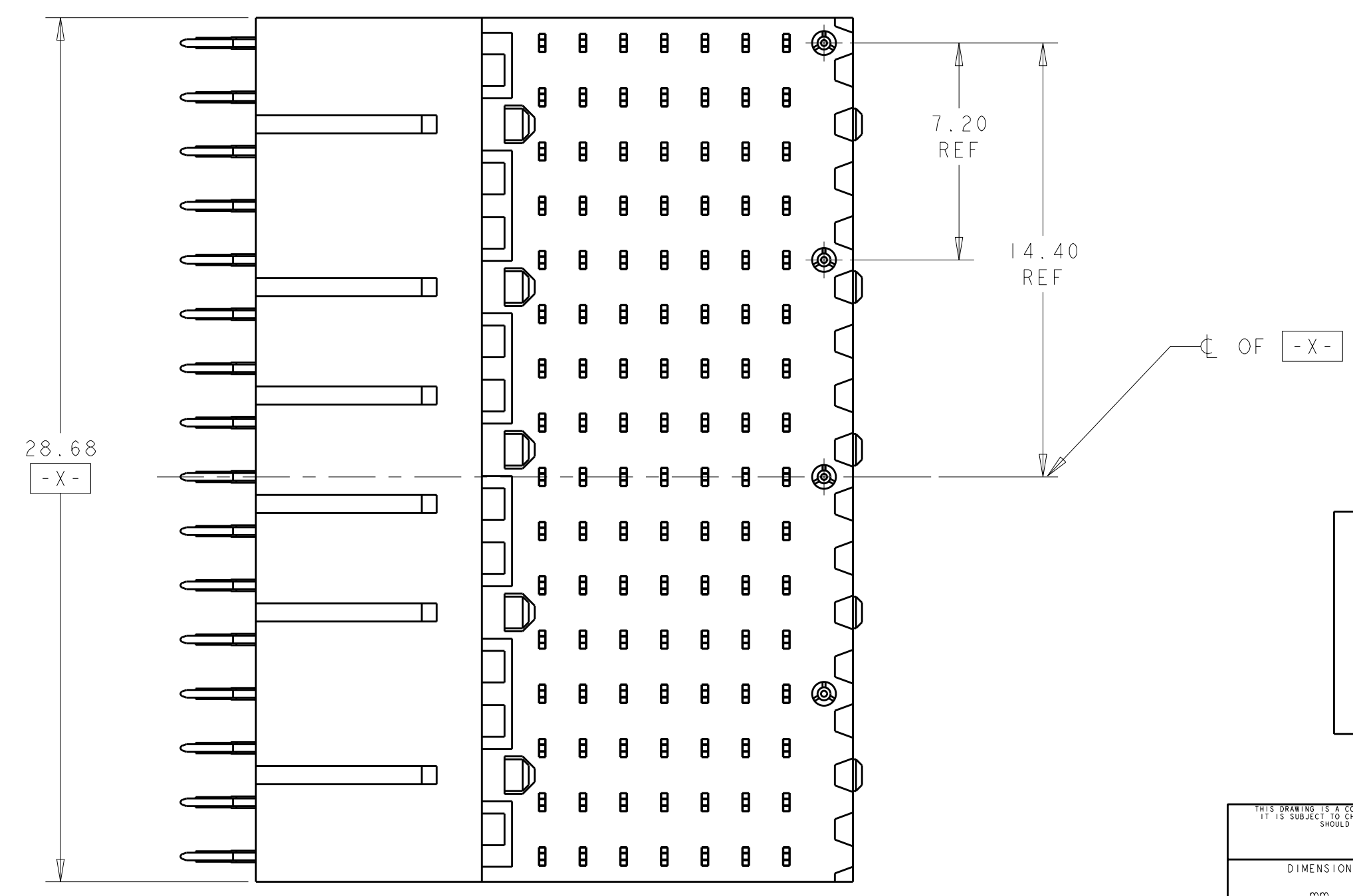
TABLE 1
INTERCONNECTIONS WITH BACKPLANE CONNECTOR 1410140

TYPICAL INTERCONNECTIONS FOR EACH COLUMN (WAFER): 1-16		
CONTACT USAGE	DAUGHTERCARD CONNECTOR PIN	BACKPLANE CONNECTOR PIN
SIGNAL	ax	bx
SIGNAL	bx	cx
SIGNAL	dx	ex
SIGNAL	fx	gx
SIGNAL	gx	hx
GROUND	cx, ex, (ALL COMMONED)	ax, dx, fx, ix

NOTE: "x" DESIGNATES THE COLUMN NUMBER



PC BOARD LAYOUT (CONNECTOR SIDE)
SEE SHEET 2 FOR RTM
SCALE 5:1



THIS PRINT IS
PRELIMINARY
UNQUALIFIED PRODUCT
CONTACT PRODUCT ENGINEERING
BEFORE USING THIS PRINT

DIMENSIONS: mm		TOLERANCES UNLESS OTHERWISE SPECIFIED:		DWN: 05AUG2009 BY: Brent D. Toth CHK: M.R. MCALONIS APP'D: M.R. MCALONIS		Tyco Electronics Harrisburg, PA 17105-3608	
9 PLC ±0.5		1 PLC ±0.13		PRODUCT SPEC: 108-2072		NAME: RIGHT-ANGLE PLUG ASSEMBLY, 7 ROW, CENTER, 20.3mm, SINGLE ENDED, MULTIGIG RT2 MGX, DAUGHTERCARD CONN, VITA 46	
5 PLC ±		4 PLC ±		APPLICATION SPEC: 114-13056		SIZE: CAGE CODE: DRAWING NO: RESTRICTED TO	
MATERIAL: SEE TABLE		FINISH: SEE TABLE		WEIGHT: -		A11 00779 C=2000878	
CUSTOMER DRAWING				SCALE: 5:1		SHEET 1 OF 2 REV 1	

THIS PRODUCT HAS NOT COMPLETED VALIDATION TESTING

单击下面可查看定价，库存，交付和生命周期等信息

[>>TE Connectivity\(泰科\)](#)