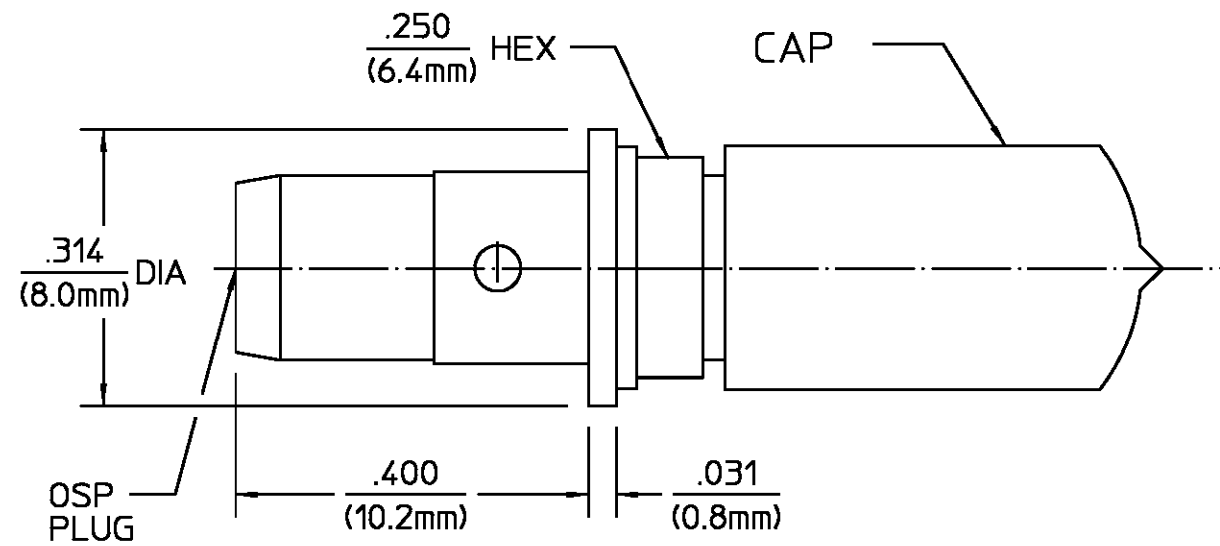



REVISIONS			
REV	DESCRIPTION	DATE	APPROVED
B	EC 0U20-0426-00	05/03/01	RR



HOUSING	STAINLESS STEEL PER ASTM-A484 AND ASTM-A582, TYPE 303	GOLD PLATE PER MIL-G-45204 OVER NICKEL PLATE PER QQ-N-290
CAP	VINYL PLASTIC	N/A
DIELECTRIC	TFE FLUOROCARBON PER ASTM-D-1457	N/A
CENTER CONTACT	BERYLLIUM COPPER PER ASTM B 196, ALLOY C17300, CONDITION H	GOLD PLATE PER MIL-G-45204 OVER COPPER PLATE PER MIL-C-14550
COMPONENT	MATERIAL	FINISH

UNLESS OTHERWISE SPECIFIED DIMENSIONS ARE IN INCHES TOLERANCE ON FRAC. DEC. ANGLES ± 1/64 ±.005 ± °	DRAWN BY T.BIER	DATE 6-2-89	 AMP Incorporated 140 Fourth Avenue Waltham, MA 02451-7599	
	CHECKED BY	APPD BY		
These drawings and specifications are the property of Omni Spectra Incorporated and shall not be reproduced or copied or used in whole or in part as the basis for the manufacture or sale of item(s) without written permission.	USE ASS'Y PROCEDURE	TITLE OSP STRAIGHT CABLE PLUG - SOLDER CLAMP ATTACHMENT		
	NO. AP. 45-128 408-08289	SIZE B	CODE IDENT NO. 26805	4501-5010-00
		SCALE 5:1		REV B
				SHEET 1 OF 1

CUSTOMER DRAWING

AMP PART # 1059361-1
SHEET 1 OF 1

单击下面可查看定价，库存，交付和生命周期等信息

[>>TE Connectivity\(泰科\)](#)