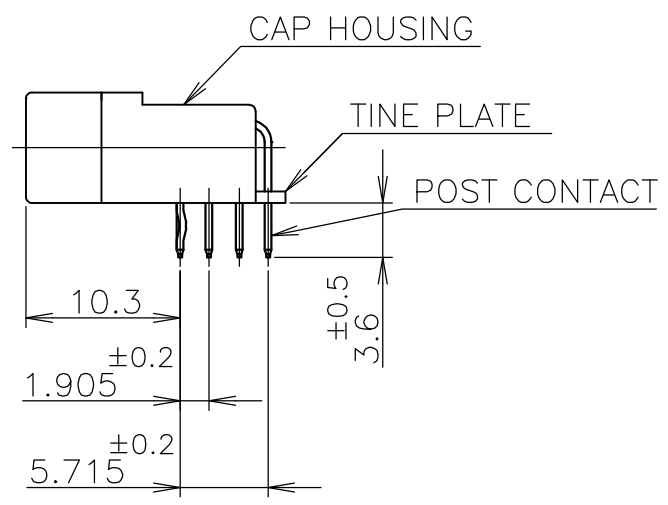
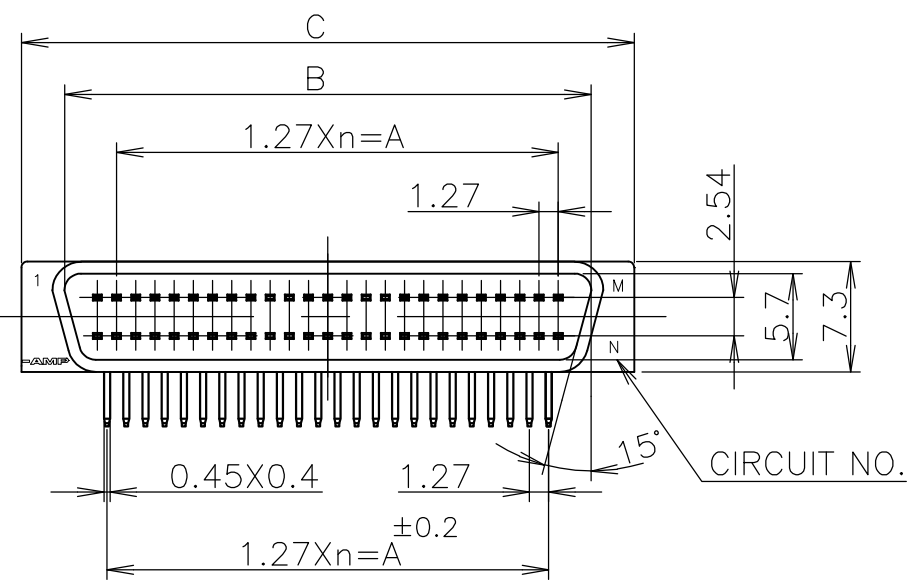
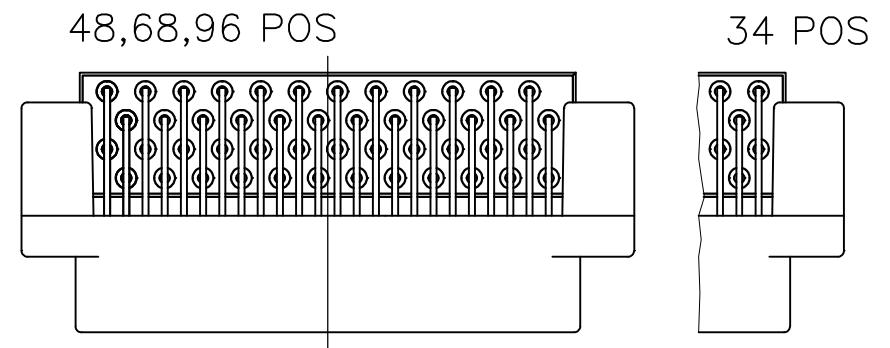
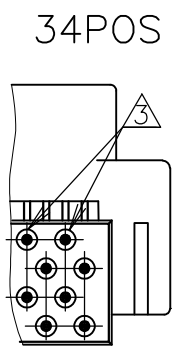
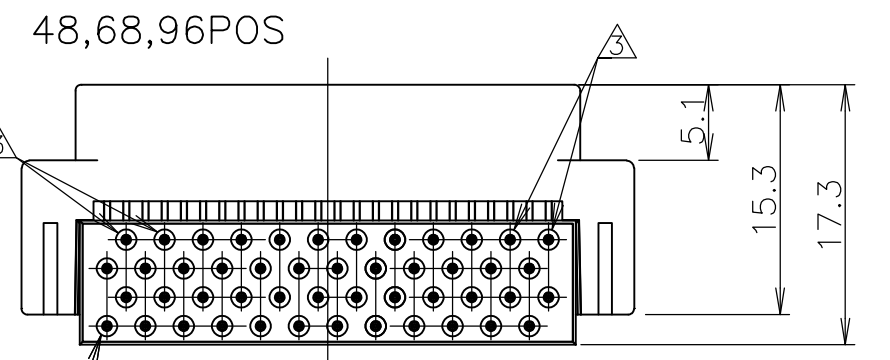
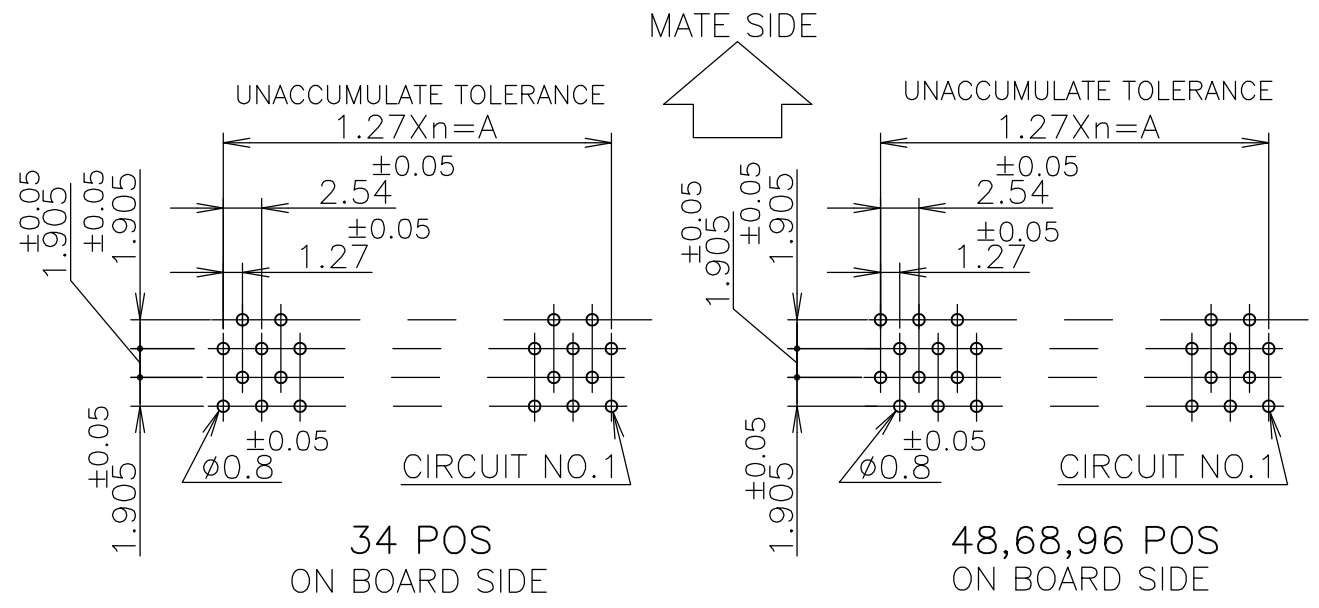


THIS DRAWING IS UNPUBLISHED. RELEASED FOR PUBLICATION AUG, 2004.
 © COPYRIGHT 2004 By - ALL RIGHTS RESERVED.

REVISIONS 変更					
P	LTR	DESCRIPTION	DATE	DWN	APVD
	A	REVISED PER ECO-16-010036	16NOV2016	AP	DG



- 1 MATERIAL AND FINISH
CAP HOUSING AND TINE PLATE ; THERMOPLASTIC (UL94V-0) COLOR:BLACK
POST CONTACT ; PHOS-BRONZE FINISH,OVER NICKEL
MATING END:0.0002 MIN. OR 0.00076 MIN. GOLD
TERMINATION END:TIN OVER SEALING TREATMENT.
- 2 P.C.B. LAYOUT AND P.C.B. TREATMENT(REF.)
USE A P.C.B. SURFACE ARE TREATED WITH SOLDER RESIST.
- 3 KINK POSITIONS(4 POSITIONS).
- 4 OBSOLETE PARTS: OBSOLETE CIS STREAMLINING PER D.RENAUD/D.SINISI



OBSOLETE	Au PL. 0.0002 MIN.	96	48	59.69	64.06	71.00	47	96	5174684-8
		68	34	41.91	46.28	53.22	33	68	5174684-7
		48	24	29.21	33.58	40.52	23	48	5174684-6
		34	17	20.32	24.69	31.63	16	34	5174684-5
REMARK		N	M	A	B	C	n	POS.	PART NO.
		CIRCUIT NO.			DIMENSION				

THIS DRAWING IS A CONTROLLED DOCUMENT.

DWN COREL WANG 23AUG04
 CHK STEVEN YAO 23AUG04
 APVD I.ENOMOTO 23AUG04

STE TE Connectivity

NAME 名称: CAP ASSY HORIZONTAL (W/KINK)
 AMPLIMITE .050 SERIES I B-TO-B CONN.

PRODUCT SPEC 製品規格: 108-60036
 APPLICATION SPEC 取付適用規格: -

SIZE A3 CAGE CODE 00779 DRAWING NO 番号 G-5174684 RESTRICTED TO -

WEIGHT 0.000000

CUSTOMER DRAWING SCALE 尺度 NTS SHEET 1 OF 1 REV A

GENERAL TOLERANCE

10 ≥	±0.2
30 ≥ > 10	±0.25
100 ≥ > 30	±0.3
ANGLES	±3°

LEAD FREE

单击下面可查看定价，库存，交付和生命周期等信息

[>>TE Connectivity\(泰科\)](#)