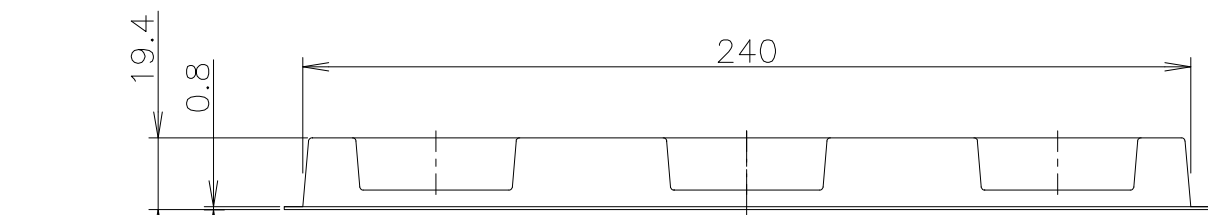
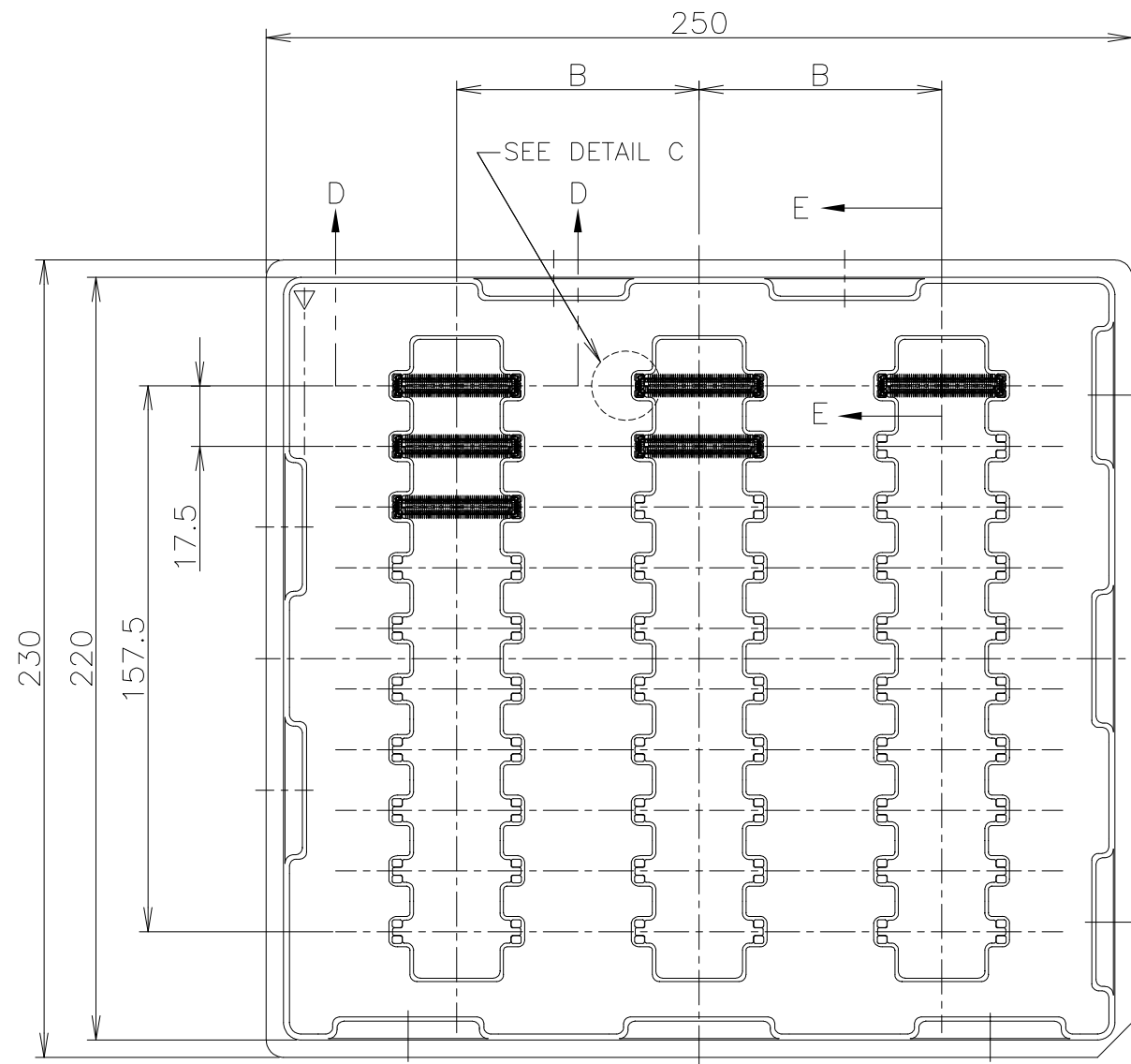
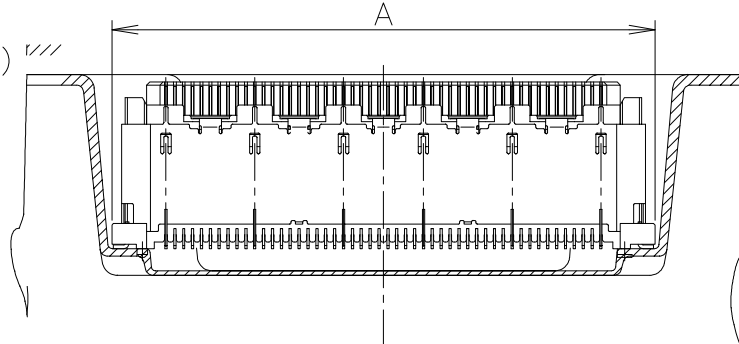
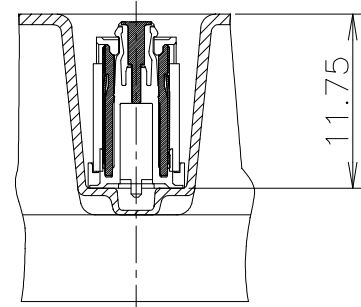
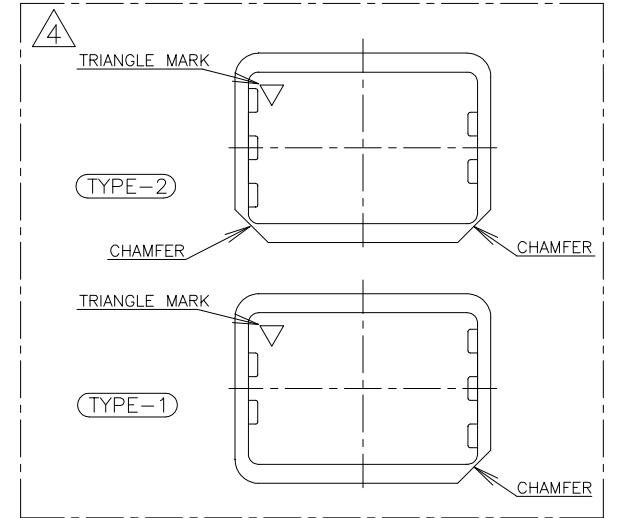
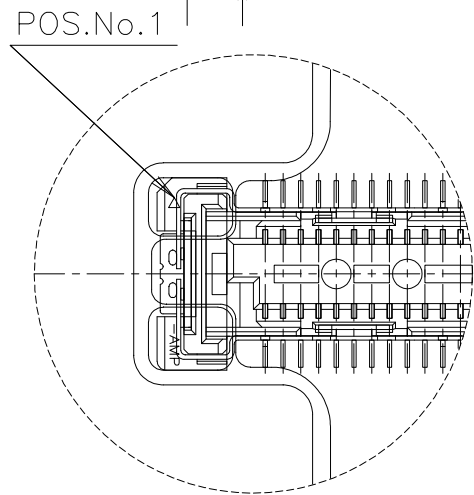


P	LTR	DESCRIPTION	DATE	DWN	APVD
A		REVISED ECR-08-000340	01FEB08	T.T	T.F
A1		OBSOLETE PER ECO-16-011823	10AUG2016	B.J	S.Y

AS SHOWN: TYPE-1



SEALANT	TOOLING STATUS	ROW	QTY	B	A	POS.	TRAY P/N	PART NO.
(A) OBSOLETE	AVAILABLE	3	30	70	54.7	160	7-912063-9	6-5316564-1
	AVAILABLE	↑	↑	↑	48.7	140	7-912063-6	6-↑-0
	NOT AVAILABLE	↓	↓	↓	42.7	120	7-912067-1	5-↓-9
	↑	↓	↓	↓	36.7	100	7-↑-0	5-↓-8
	3	30	70	33.7	90	6-↑-9	5-↓-7	7-↓-8
	5	50	43	30.7	80	6-↑-8	5-↓-6	6-↓-9
	↑	↑	↑	27.7	70	6-↑-7	5-↓-5	7-↓-7
	↑	↑	↑	24.7	60	6-↑-6	5-↓-4	7-↓-6
	↑	↑	↑	21.7	50	6-↑-5	5-↓-3	7-↓-5
	↓	↓	↓	18.7	40	6-↑-4	5-↓-2	7-↓-4
	NOT AVAILABLE	5	50	43	15.7	30	6-912067-3	5-5316564-1
	AVAILABLE	3	30	70	54.7	160	7-912063-9	1-5316564-1
	AVAILABLE	↑	↑	↑	48.7	140	7-912063-6	1-↑-0
	NOT AVAILABLE	↓	↓	↓	42.7	120	7-912067-1	↓-9
	↑	↓	↓	↓	36.7	100	7-↑-0	↓-8
	3	30	70	33.7	90	6-↑-9	↓-7	7-↓-7
	5	50	43	30.7	80	6-↑-8	↓-6	7-↓-6
	↑	↑	↑	27.7	70	6-↑-7	↓-5	7-↓-5
	↑	↑	↑	24.7	60	6-↑-6	↓-4	7-↓-4
	↑	↑	↑	21.7	50	6-↑-5	↓-3	7-↓-3
	↓	↓	↓	18.7	40	6-↑-4	↓-2	7-↓-2
	NOT AVAILABLE	5	50	43	15.7	30	6-912067-3	5316564-1



△ TRAY TYPE-1 AND TYPE-2 MUST BE
 PILED UP BY TURNS.
 (REFER TO PACKING SPECIFICATIONS)

GENERAL TOLERANCE
 一般公差
 10 ≥ ±0.2
 30 ≥ >10: ±0.25
 100 ≥ >30: ±0.3
 ANGLES: ±3°

THIS DRAWING IS A CONTROLLED DOCUMENT.

DIMENSIONS:
 單位: 耗
 mm

TOLERANCES UNLESS
 OTHERWISE SPECIFIED:
 一般公差

MATERIAL
 材料

0 PLC ±
 1 PLC ±
 2 PLC ±
 3 PLC ±
 4 PLC ±
 ANGLES ±
 FINISH
 仕上

DWN HAWKING HE 20DEC04
 CHK STEVEN YAO 20DEC04
 APVD I.ENOMOTO 20DEC04
 PRODUCT SPEC
 製品規格
 108-60047
 APPLICATION SPEC
 取付適用規格
 114-5255
 WEIGHT

STE TE Connectivity

SOFT TRAY ASSY
 FH 0.6BTB CONNECTOR
 REC 12H W/G-CONT

NAME 名稱

SIZE CAGE CODE DRAWING NO 番号 RESTRICTED TO

A3 00779 C-5316564

CUSTOMER DRAWING SCALE 1:2 SHEET 1 OF 3 REV A1

单击下面可查看定价，库存，交付和生命周期等信息

[>>TE Connectivity\(泰科\)](#)