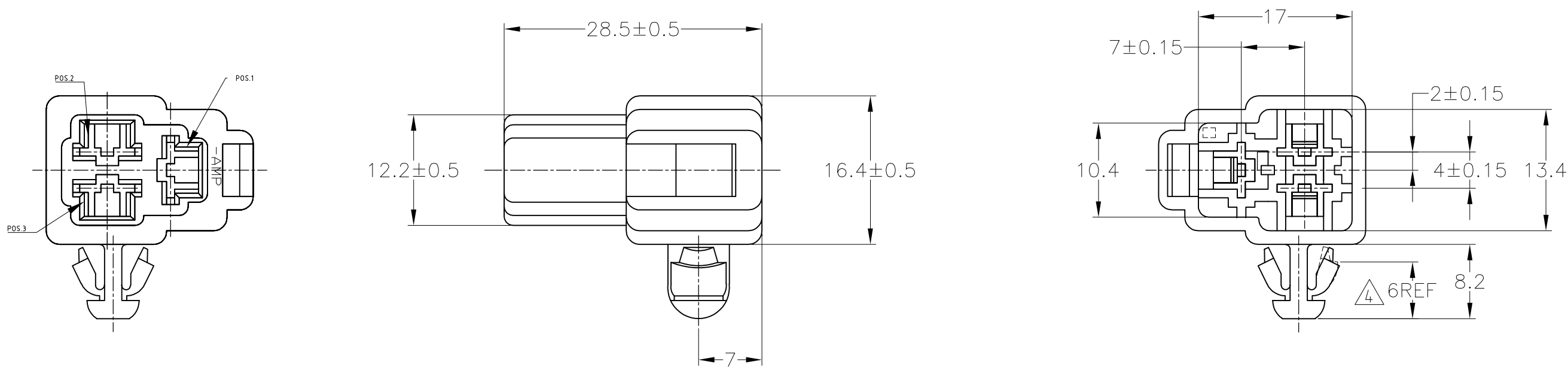


THIS DRAWING IS UNPUBLISHED. RELEASED FOR PUBLICATION
 © COPYRIGHT BY TYCO ELECTRONICS CORPORATION. ALL RIGHTS RESERVED.

LOC	DIST	REVISIONS					
		P	LTR	DESCRIPTION	DATE	DWN	APVD
J	—	B1	REDRAWN W/CHANGE	ECR-07-030673	19DEC07	TS	KB
		B2	REVISED PER ECO-13-017142		01NOV13	B.P	D.Z



1. 嵌合する相手ハウジングは型番 172132
2. 適用端子は型番 170340, 170341, 170349
3. 適用パネル穴径 7.0mm, 板厚 0.65~1.2mm
- △4 パネルに取付けた時のパネル内側に必要なスペース (参考寸法)

1. THE MATING COUNTERPART NUMBER 172132
2. APPLIDE CONTACT; PART NUMBER 170340, 170341 AND 170349.
3. APPLICABLE PANEL: HOLD DIMENSION 7.0mm
: THICKNESS 0.65~1.2mm

- △4 A SPACING REQUIRED INSIDE OF THE PANEL FOR MOUNTING PANEL (REFERENCE DIMENSION)
- △5 OBSOLETE PARTS: OBSOLETE CIS STREAMLINING PER D.RENAUD/D.SINISI

△5 OBSOLETE	淡灰 LIGHT GRAY	6-172384-6
	黄 YELLOW	172384-7
	灰 GRAY	172384-6
	緑 GREEN	172384-4
	茶 BROWN	172384-3
	黒 BLACK	172384-2
	自然色 NATURAL	172384-1
	COLOR 色	PART NUMBER 型番

THIS DRAWING IS A CONTROLLED DOCUMENT.		DWN T.SHINOHARA 19DEC07	Tyco Electronics Corporation Kawasaki, Japan	
DIMENSIONS: 単位: 耗 mm		CHK K.BETSUI 19DEC07	NAME 名称 B2	
TOLERANCES UNLESS OTHERWISE SPECIFIED: 一般公差		APVD K.BETSUI 19DEC07	250 SERIES HOUSING LANCE CONNECTOR 3POSITION CAP HOUSING PANEL MOUNT TYPE	
0 PLC ± - 1 PLC ± - 2 PLC ± - 3 PLC ± - 4 PLC ± - ANGLES ± -		PRODUCT SPEC 製品規格 -	SIZE A3	CAGE CODE 00779
MATERIAL 材料 6/6 NYLON		APPLICATION SPEC 取付適用規格 -	DRAWING NO 番号 G-172384	RESTRICTED TO -
FINISH 仕上 SEE TABLE		WEIGHT -	SCALE 尺度 2:1	
		CUSTOMER DRAWING		SHEET 1 OF 1
				REV B2

一般公差 (GENERAL TOLERANCE)	
10以下	: ±0.2
10を超え 30以下	: ±0.25
30を超え 100以下	: ±0.3
角 度	: ±3°

单击下面可查看定价，库存，交付和生命周期等信息

[>>TE Connectivity\(泰科\)](#)