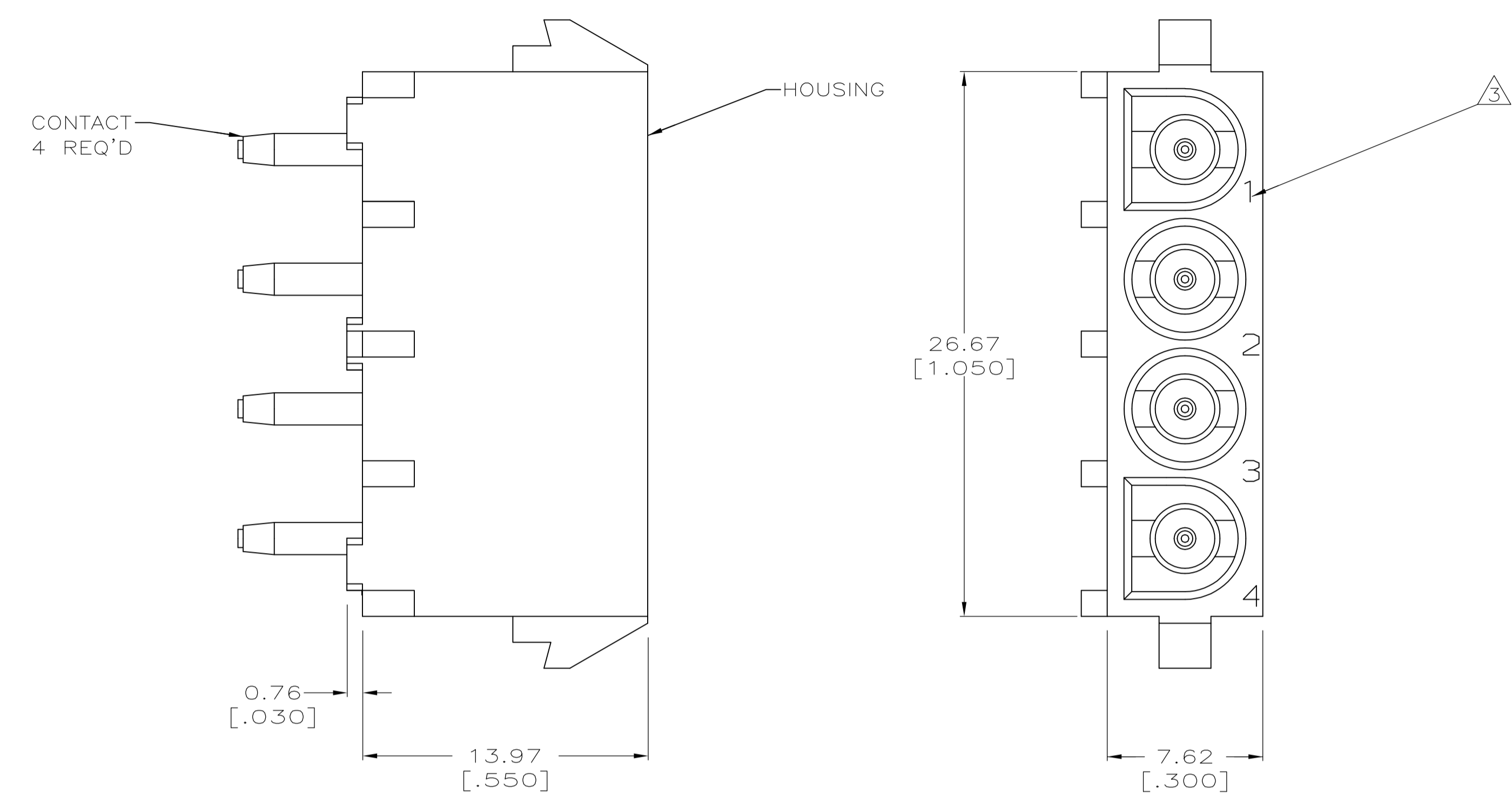
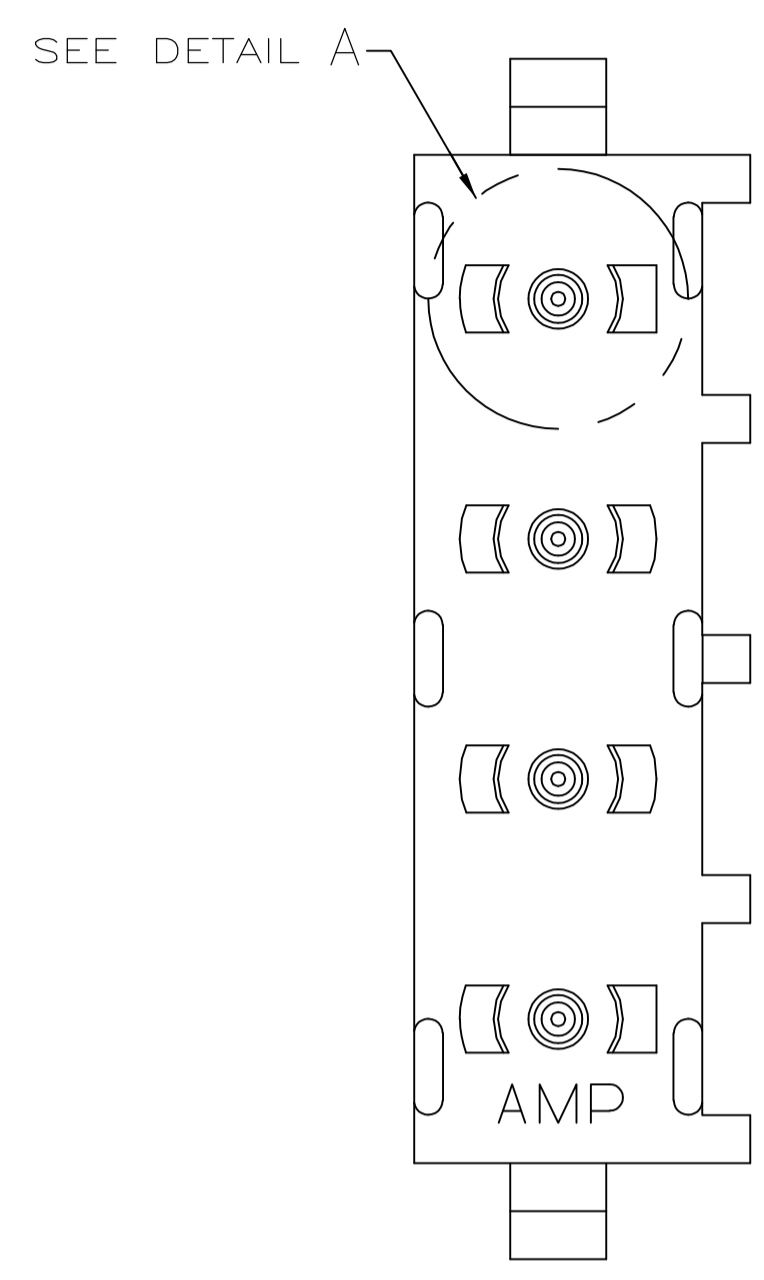
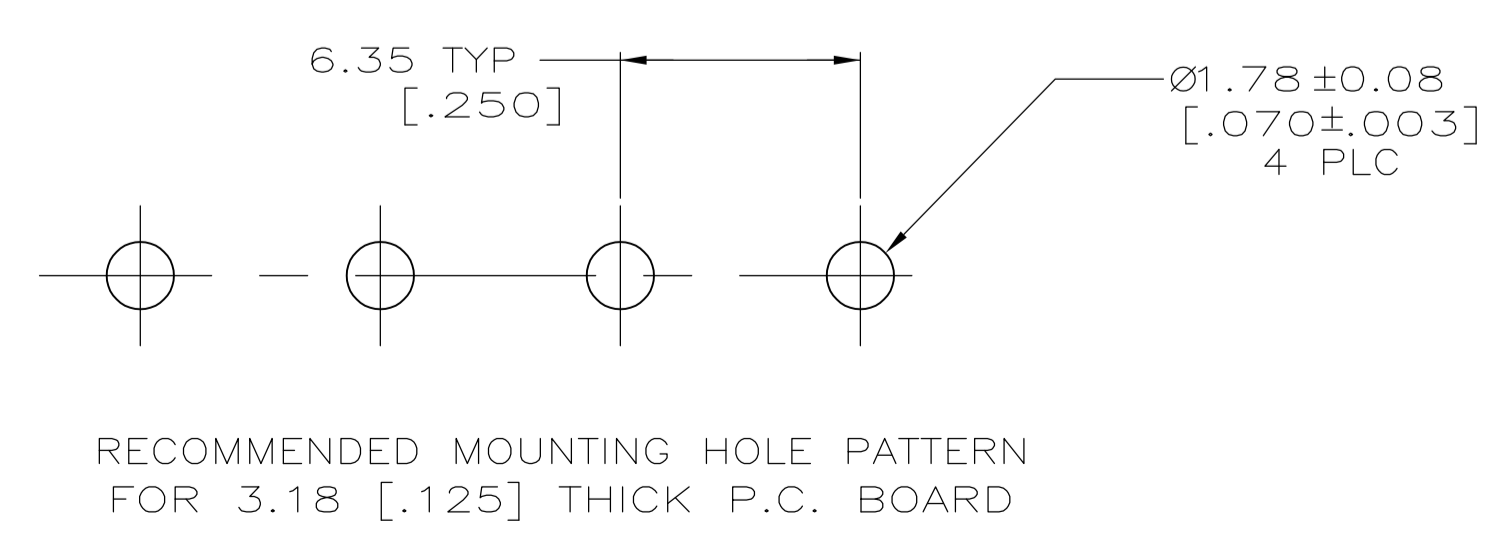
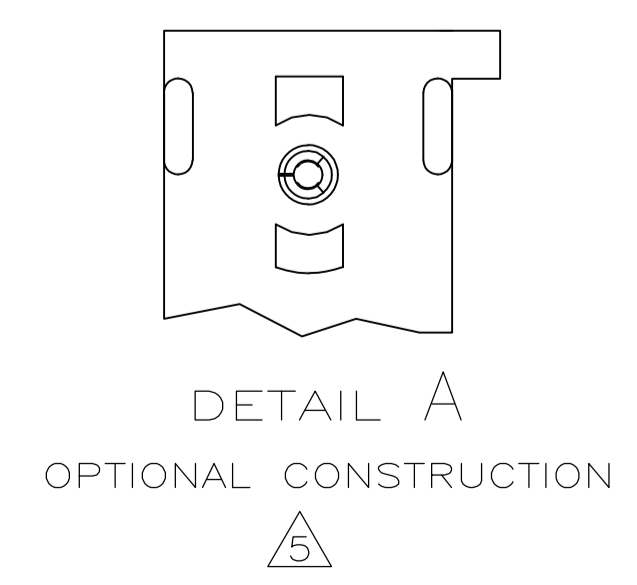
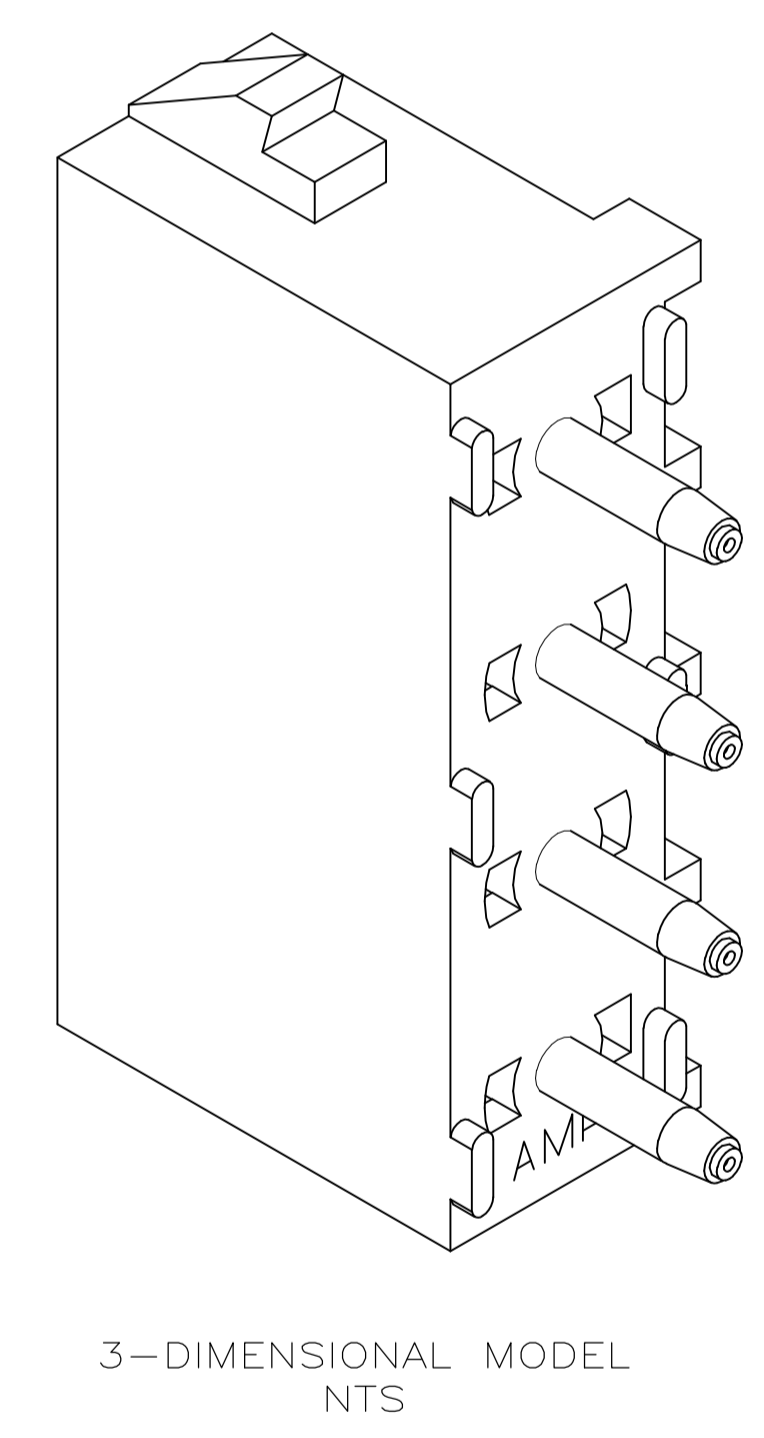
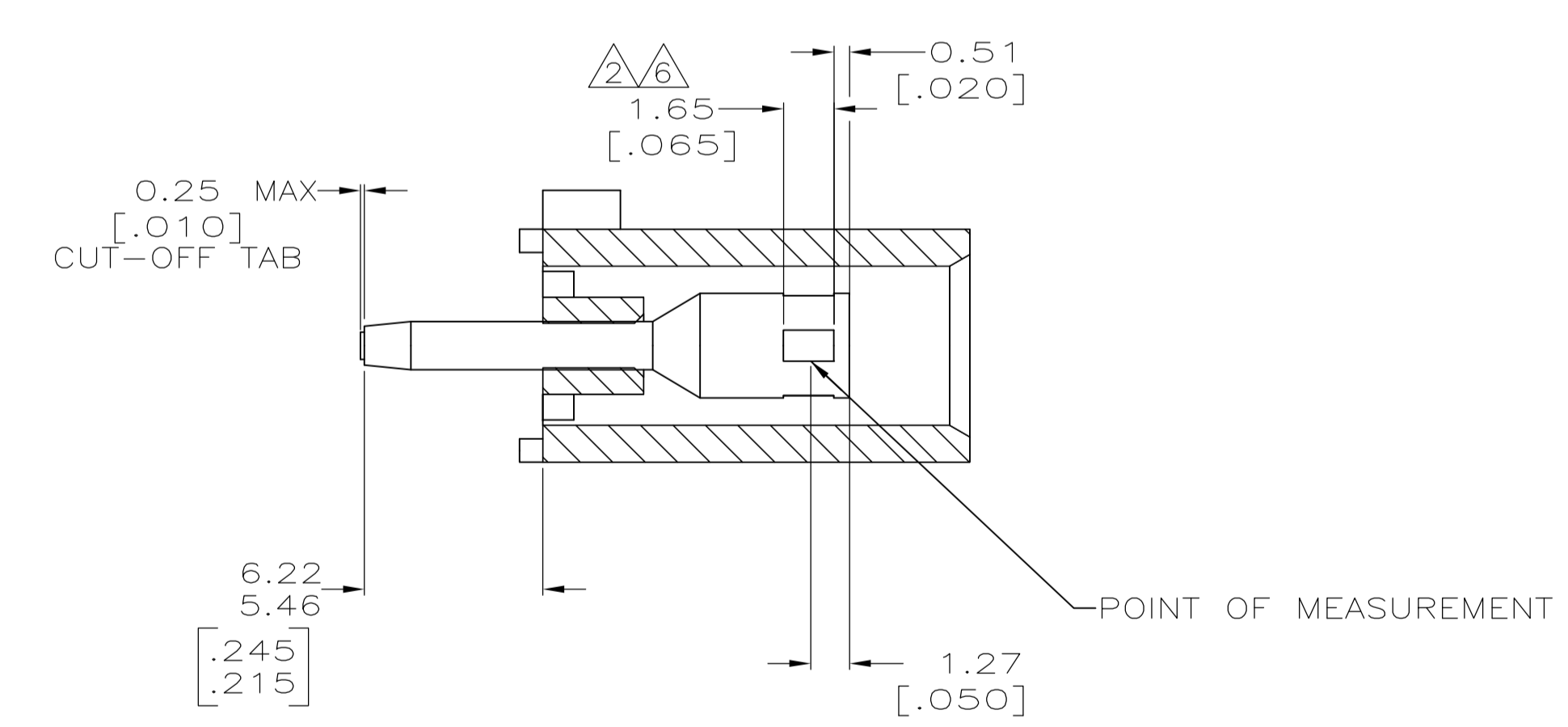


LOC		DIST		REVISIONS			
CM	00	REV	DATE	BY	CHK	APP'D	
J		REVISED PER EC 0G3B-1094-04	18FEB05	KW	SR		
J1		REV PER ECO-09-021826	08SEP09	KK	AEG		



- PARTS COMPLY TO AMP SOLDERABILITY SPECIFICATION 109-11-3.
- CONTACT IS PLATED OVERALL WITH 0.00127 [.000050] NICKEL, THEN 0.00076 [.000030] GOLD OVER CONTACT LENGTH INDICATED AND MATTE TIN LEAD ON SOLDER TAIL END.
- CIRCUIT IDENTIFICATION CHARACTERS ARE ADJACENT TO THE INDICATED CAVITIES, BUT LOCATION AND ORIENTATION MAY DIFFER FROM PRINT.
- DIMENSIONS IN BRACKETS ARE IN INCHES.
- DRAIN HOLES LOCATED AS SHOWN. OPTIONAL CONSTRUCTION- ALL DRAIN HOLES LOCATED 90° AS SHOWN IN DETAIL A.
- CONTACT IS PLATED OVERALL WITH 0.00127 [.000050] NICKEL, THEN 0.00076 [.000030] GOLD OVER CONTACT LENGTH INDICATED AND MATTE TIN ON SOLDER TAIL END.
- OBsolete PARTS: OBSOLETE CIS STREAMLINING PER D.RENAUD/D.SINISI



OBsolete	PHOSPHOR BRONZE, GOLD	NYLON, UL94V-2, NATURAL	-350988-5-
OBsolete	PHOSPHOR BRONZE, PRE-TIN	NYLON, UL94V-2, NATURAL	350988-4
OBsolete	PHOSPHOR BRONZE, GOLD	NYLON, UL94V-2, NATURAL	-350988-3-
	CONTACT MATERIAL AND FINISH	HOUSING MATERIAL	PART NUMBER

METRIC

DIMENSIONS:		TOLERANCES UNLESS OTHERWISE SPECIFIED:		APPROVED		Tyco Electronics	
mm	[INCHES]	0 PLC	±	10-05-98	10-05-98	Tyco Electronics Corporation Greensboro, NC 27409	
		1 PLC	±	10-05-98	10-05-98	NAME: SOCKET HEADER ASSEMBLY, 4 CIRCUIT UNIVERSAL MATE-N-LOK™	
		2 PLC	±			SIZE: A1	
		3 PLC	±			CAGE CODE: 00779	
		4 PLC	±			DRAWING NO: 350988	
		ANGLES	±			RESTRICTED TO: -	
						WEIGHT: -	
						CUSTOMER DRAWING	
						SCALE: 5:1 SHEET 1 OF 1 REV J1	

单击下面可查看定价，库存，交付和生命周期等信息

[>>TE Connectivity\(泰科\)](#)