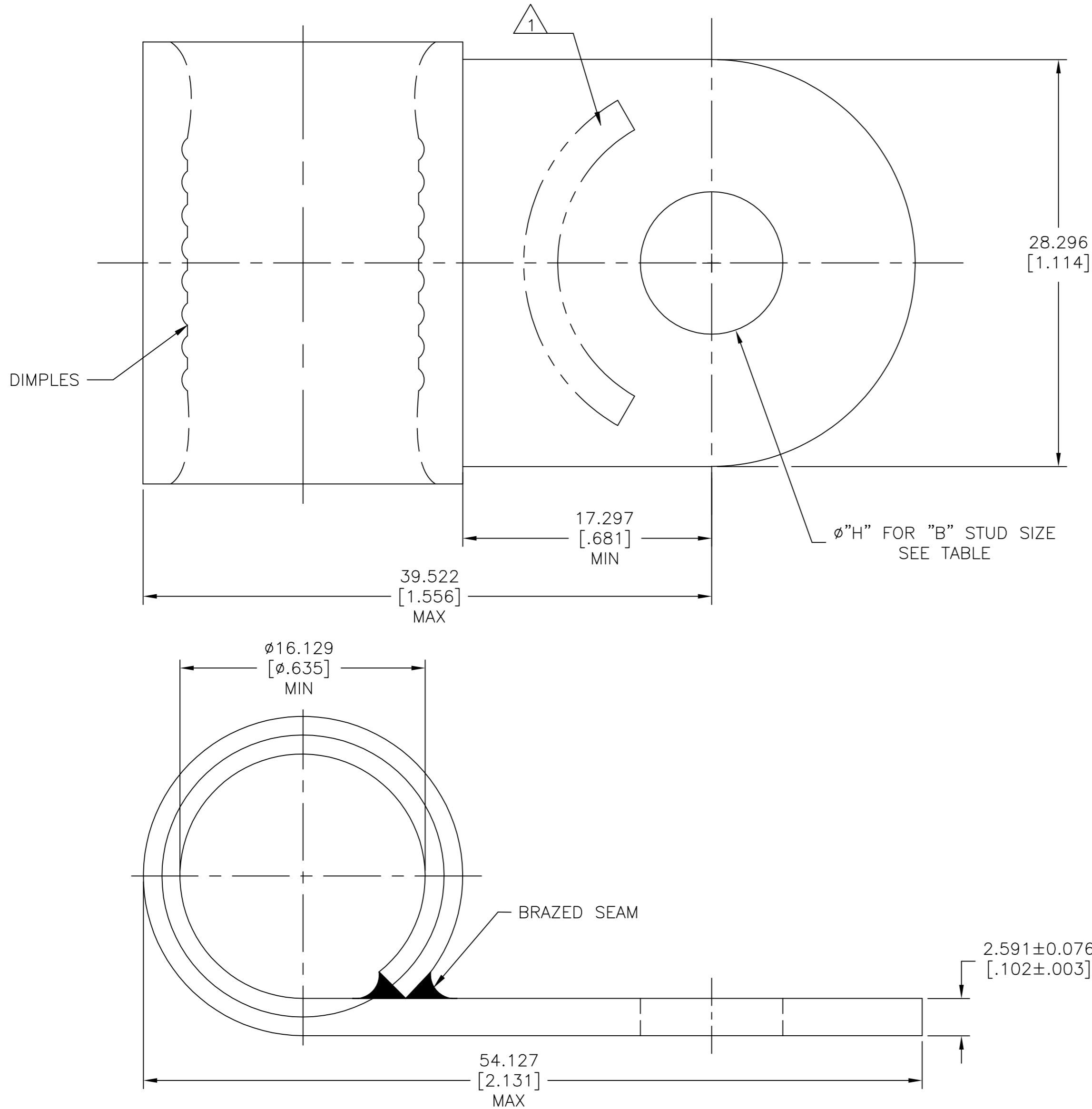


THIS DRAWING IS UNPUBLISHED. RELEASED FOR PUBLICATION
 © COPYRIGHT - By - ALL RIGHTS RESERVED.

REVISIONS					
P	LTR	DESCRIPTION	DATE	DWN	APVD
E1		REVISED PER ECO-12-003798	29FEB12	KH	DR
E2		REVISED PER ECO-17-008808	31JAN2018	RS	DR



AMP WIRE RANGE	E13288 Listed	LR7189 Certified
4/0 AWG SOLID OR STRANDED	4/0 AWG STRANDED	4/0 AWG SOLID OR STRANDED

- △1 STAMP AMP 4/0W* APPROX AS SHOWN
- △2 COPPER PER ASTM B-152, ANNEALED
- △3 0.00254 [.000100] MIN TIN PER ASTM B-545

50	LOOSE PIECE	3/8	9.906±0.203 [.390±.008]	321277-1
QTY	PACKAGE TYPE	STUD SIZE "B"	Ø"H"	PART NO

AMP INCORPORATED
 CUSTOMER SERVICE SYSTEMS

FOR ADDITIONAL PRODUCT INFORMATION OR COPIES OF DRAWINGS AND TECHNICAL DOCUMENTS	PRODUCT INFORMATION CENTER 1-800-522-6752	RECOMMENDED OPERATING TEMPERATURE: 170° C [338° F] MAX
FOR APPLICATION TOOLING INFORMATION	TOOLING ASSISTANCE CENTER 1-800-722-1111	VOLTAGE RATING: NOT APPLICABLE
FOR ORDER ENTRY	1-800-526-5142	WIRE CROSS SECTIONAL AREA RANGE: 96.3-117mm ² [190,000-231,000] CIR MILS SOLID OR STRANDED

THIS DRAWING IS A CONTROLLED DOCUMENT.		DWN TA BRINKMAN 4-8-93	TE Connectivity Ltd.	
DIMENSIONS: mm [INCHES]		CHK DA PATTERSON 4-8-93		
TOLERANCES UNLESS OTHERWISE SPECIFIED:		APVD DA PATTERSON 4-8-93	NAME TERMINAL, RING TONGUE, FLAG, SOLISTRAND 4/0 AWG	
0 PLC ± - 1 PLC ± - 2 PLC ± - 3 PLC ± 0.127[.005] 4 PLC ± - ANGLES ± - FINISH		PRODUCT SPEC UL 486 A-B	SIZE A2	CAGE CODE 00779
MATERIAL △2		FINISH △3	DRAWING NO C=321277	RESTRICTED TO -
CUSTOMER DRAWING			SCALE 4:1	SHEET 1 of 1
			REV E2	

单击下面可查看定价，库存，交付和生命周期等信息

[>>TE Connectivity\(泰科\)](#)