

1. INTRODUCTION

This instruction sheet cover the use of SPIRAP Hand Tool 500901 (shown in Figure 1), which is used to wrap SPIRAP tubing around a bundle of wires. Read these instructions carefully before using this tool.

Reasons for reissue are provided in Section 3, REVISION SUMMARY.



NOTE

Dimensions in this document are in millimeters [with inches in brackets]. Figures and illustrations are for reference only and are not drawn to scale.

2. WRAPPING PROCEDURE

1. Cut SPIRAP tubing to required length.
2. Select the appropriate slot according to the size of the SPIRAP tubing. See Figure 1 for slot sizes.

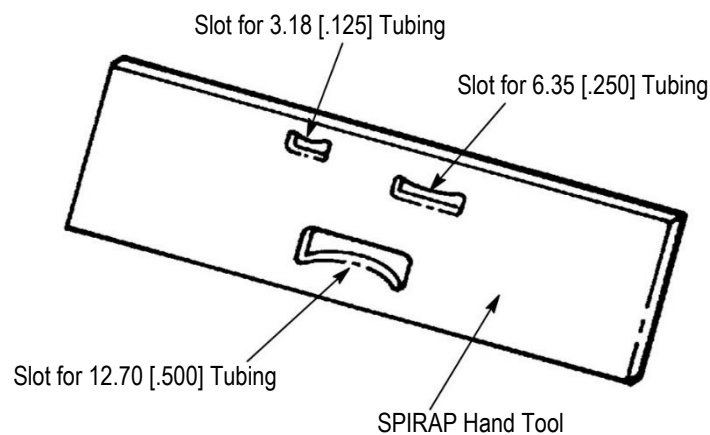


Figure 1

3. Hook point of SPIRAP tubing over the edge of tool near slot to be used. See Figure 2.

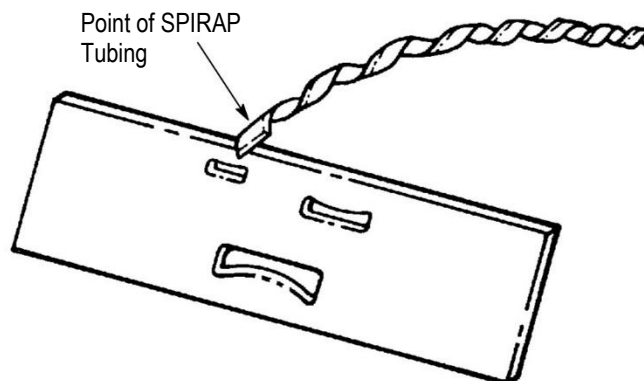


Figure 2

4. Thread SPIRAP tubing through slot and untwist a short length of it. Curvature of SPIRAP tubing must follow curvature of slot as shown in Figure 3.

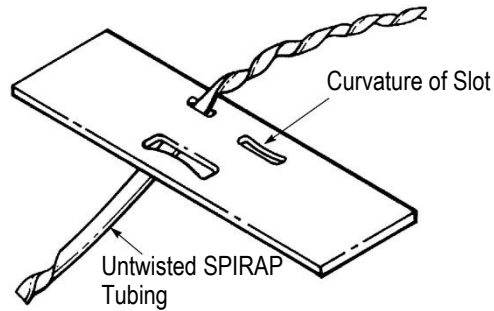


Figure 3

5. Hook point of untwisted SPIRAP tubing into bundle of wires. See Figure 4.
6. Hold end of SPIRAP tubing in bundle of wires and wrap tubing around the bundle by rotating the tool around the bundle. See Figure 4.

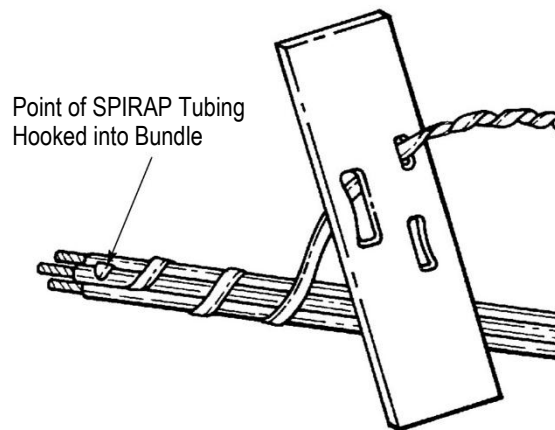


Figure 4

3. REVISION SUMMARY

Since the previous release, the following changes and additions were made to this document:

- Updated document to corporate requirements
- New logo

单击下面可查看定价，库存，交付和生命周期等信息

[>>TE Connectivity\(泰科\)](#)