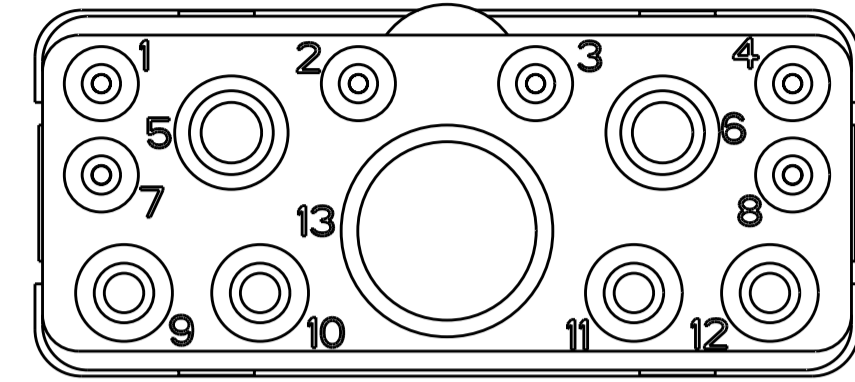
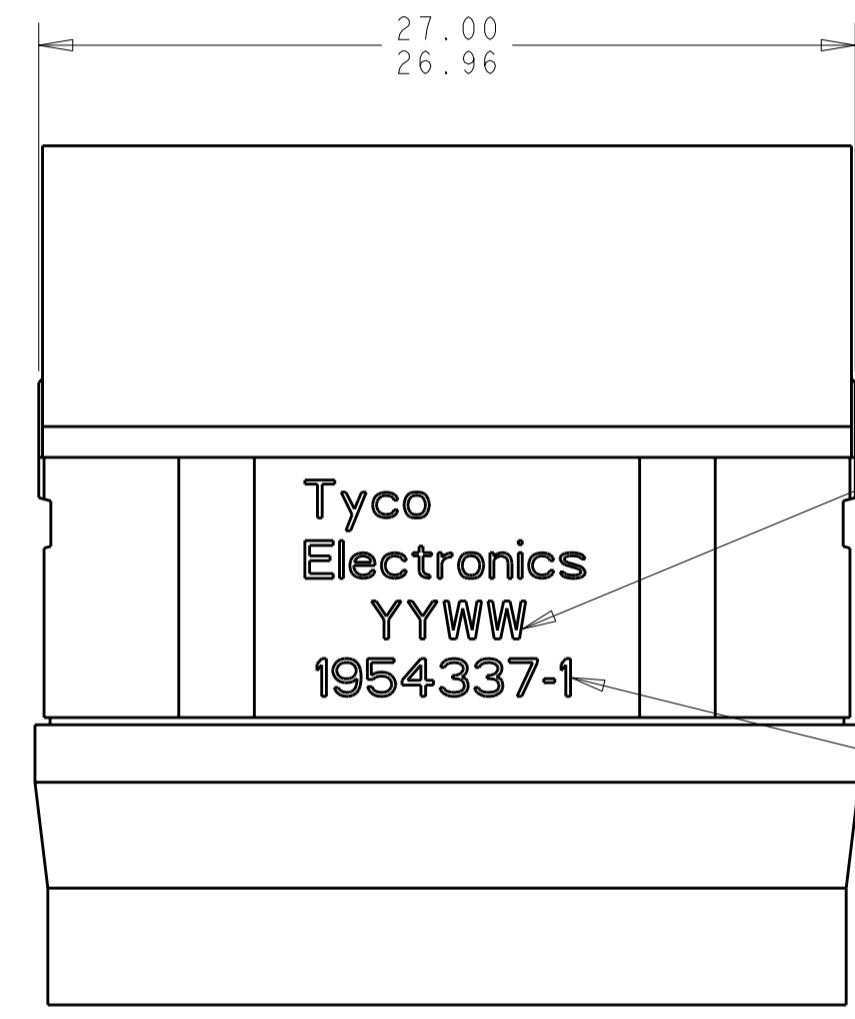
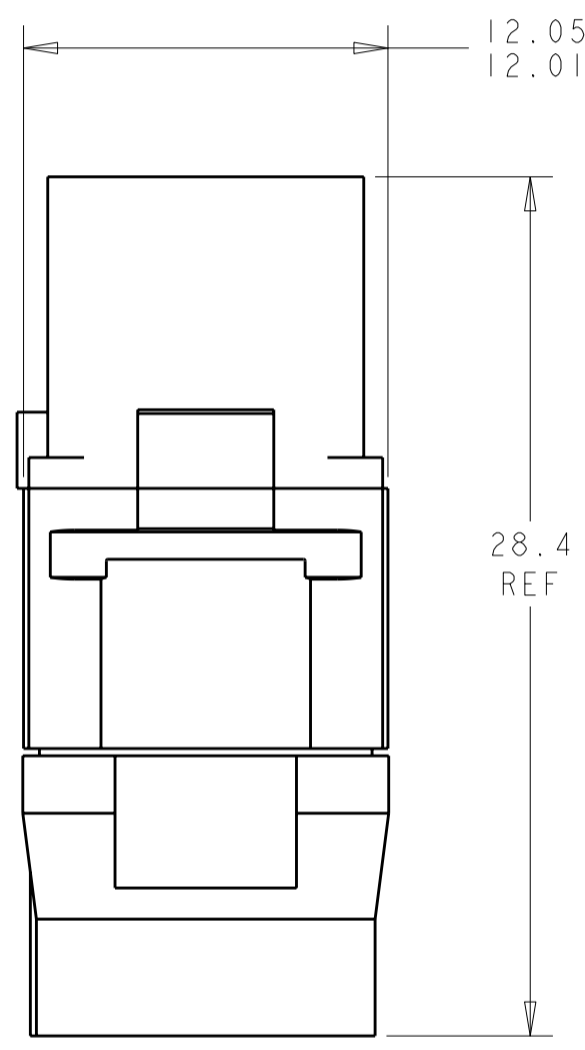


THIS DRAWING IS UNPUBLISHED. RELEASED FOR PUBLICATION 20
 © COPYRIGHT 20 BY TYCO ELECTRONICS CORPORATION. ALL RIGHTS RESERVED.

LOC		DIST		REVISIONS					
P	LTR	DESCRIPTION	DATE	DWN	APVD				
		1	DF	DF	A5	DRAWN	-	-	-
		2				REVISED	29APR2010	RF	JM

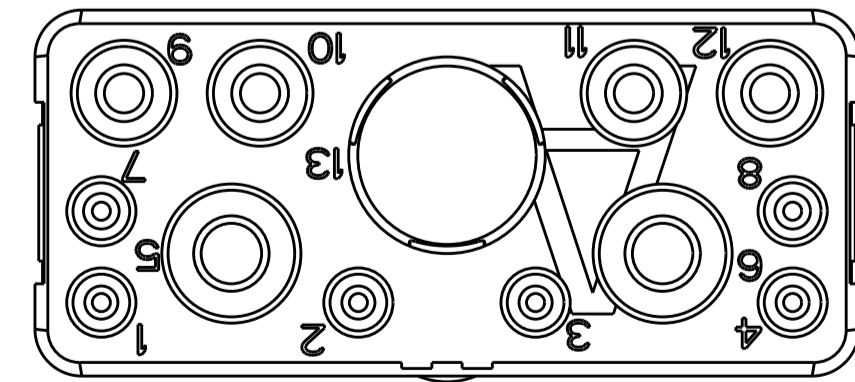


MATING FACE



- 1 FRONT & REAR INSULATORS: HIGH TEMP THERMOPLASTIC OR THERMOSET EPOXY PER ASTM D5948. CONTACT RETENTION CLIPS: STAINLESS STEEL PER AISI 302 OR COPPER ALLOY PER ASTM B194 REAR GROMMET: FLUROSILICONE ELASTOMER PER MIL-R-25988 B EXCEPT 4.6.6.1
- 2 DATE CODE: YEAR & WEEK (YY WW)
- 3 THE PART NUMBER MAY BE MARKED EITHER ON THE REAR INSULATOR OR GROMMET.
- 4. DESCRIPTIVE PART NUMBER: GPRBE13PISA
 THIS INSERT CONTAINS:
 2 CAVITIES FOR SIZE 12 SOCKET CONTACTS, 1738018-1
 4 CAVITIES FOR SIZE 16 SOCKET CONTACTS, 1738014-1
 6 CAVITIES FOR SIZE 20 SOCKET CONTACTS, 1738012-1
 1 CAVITY FOR SIZE 5 POWER SOCKET CONTACT, 1954722-1
- 5. THIS PRODUCT IS SOLD BY TYCO ELECTRONICS UNDER A LICENSE FROM RADIALL SA.

THIS PRINT IS
PRELIMINARY
 UNQUALIFIED PRODUCT
 CONTACT PRODUCT ENGINEERING
 BEFORE USING THIS PRINT



REAR FACE

1954337-1
 PART NUMBER

THIS DRAWING IS A CONTROLLED DOCUMENT FOR TYCO ELECTRONICS CORPORATION IT IS SUBJECT TO CHANGE AND THE CONTROLLING ENGINEERING ORGANIZATION SHOULD BE CONTACTED FOR THE LATEST REVISION.		DWN	BH	30 JAN 2007	Tyco Electronics Harrisburg, PA 17105-3608
DIMENSIONS:		CHK	JPM	30 JAN 2007	
mm	TOLERANCES UNLESS OTHERWISE SPECIFIED:	APVD	JPM	30 JAN 2007	
	0 PLC ±-	PRODUCT SPEC	NAME		
	1 PLC ±0.1		INSERT ASSEMBLY, SOCKET, ENVIRONMENTAL, ARRANGEMENT 13PI, KEY A, GPRB		
	2 PLC ±0.05	APPLICATION SPEC	SIZE	CAGE CODE	DRAWING NO
	3 PLC ±-		A2	00779	C-1954337
	4 PLC ±-		SCALE	4:1	SHEET 1 OF 1
	ANGLES ±1	WEIGHT	REV 2		
	FINISH	CUSTOMER DRAWING			

单击下面可查看定价，库存，交付和生命周期等信息

[>>TE Connectivity\(泰科\)](#)