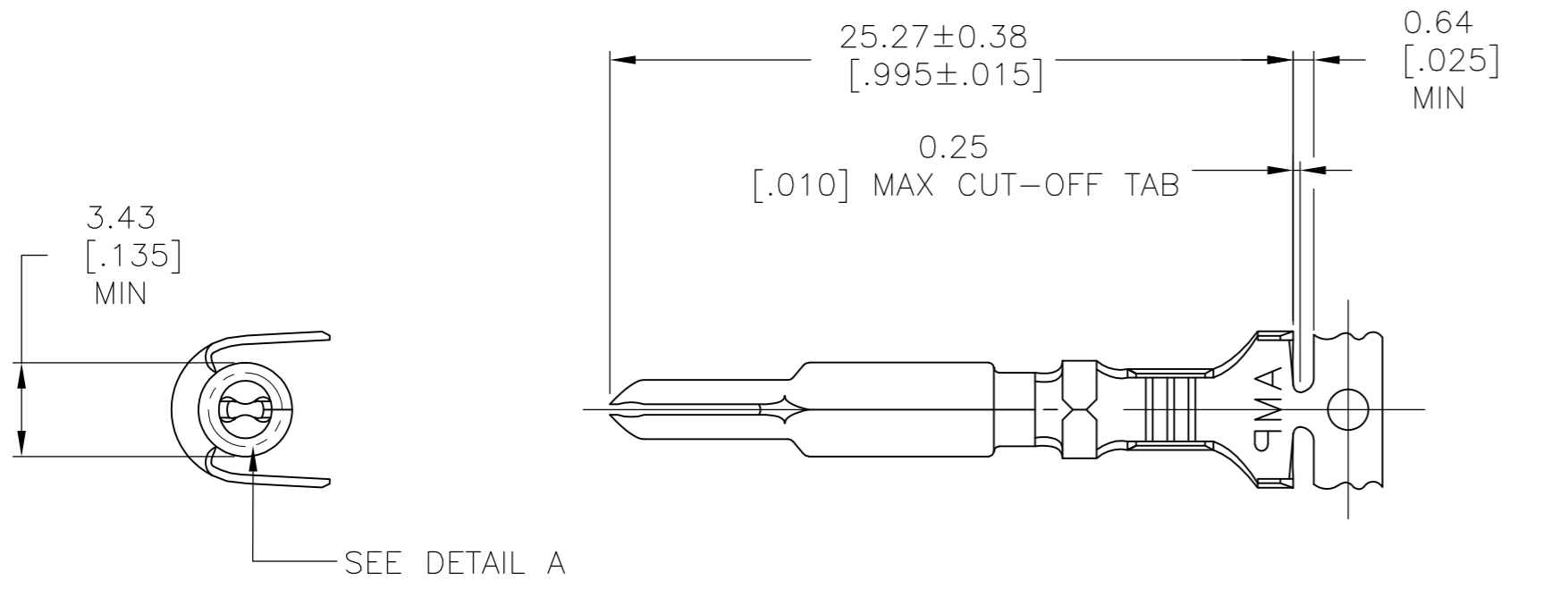
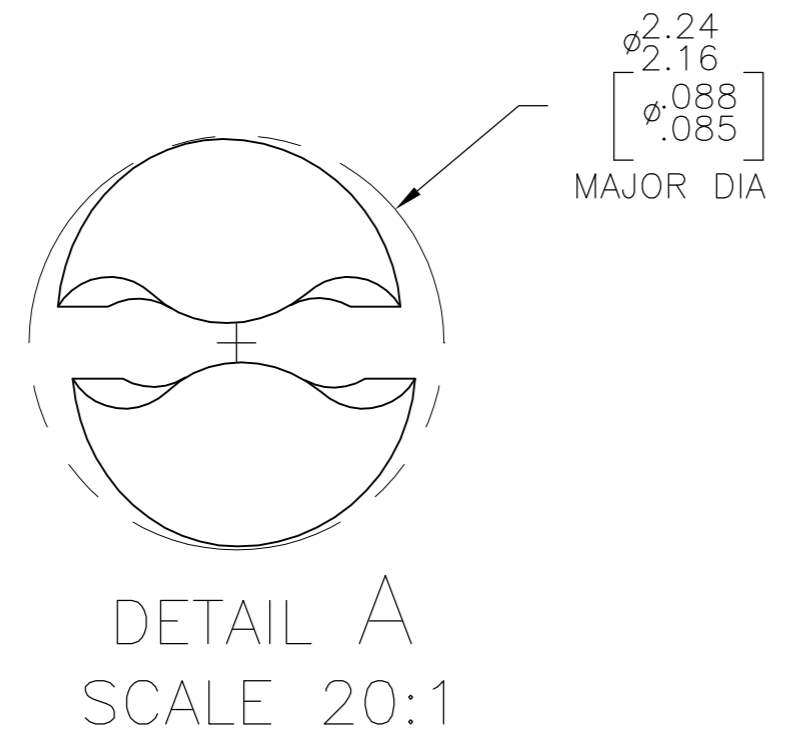
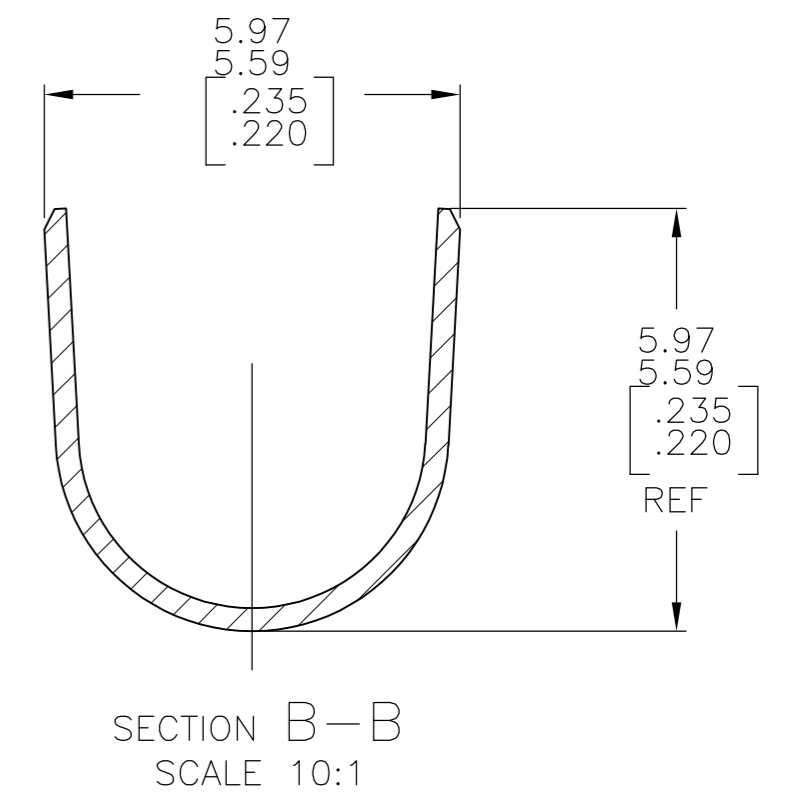
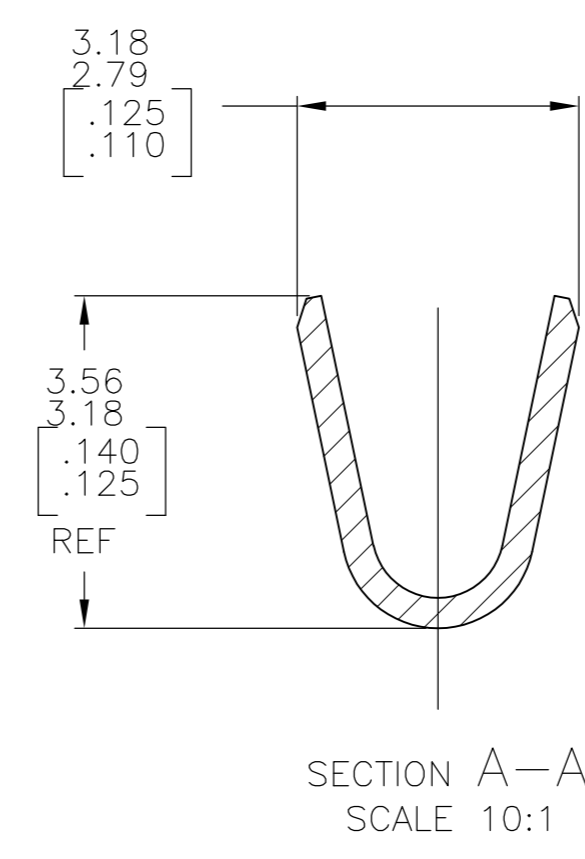
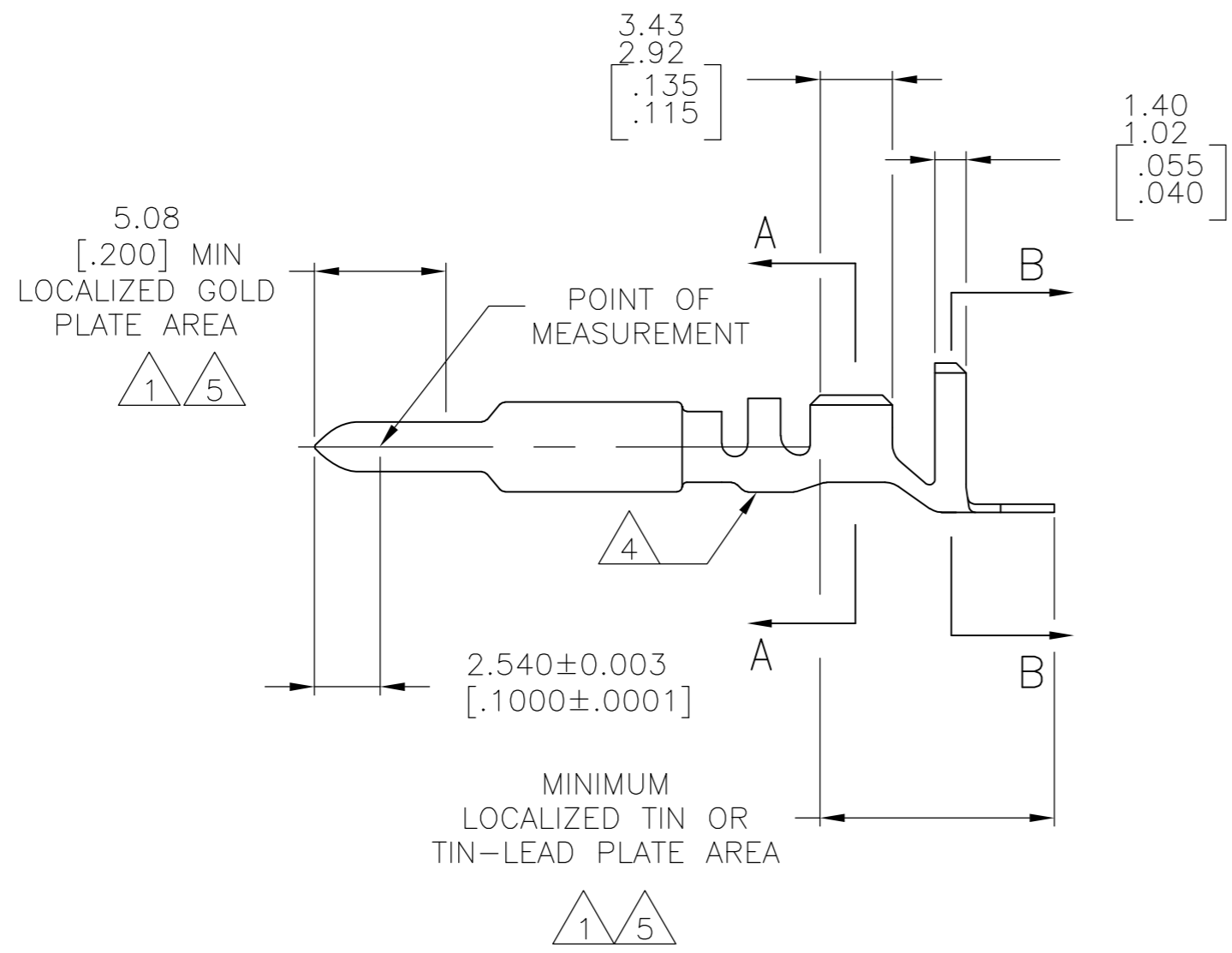


THIS DRAWING IS UNPUBLISHED. RELEASED FOR PUBLICATION
 © COPYRIGHT - By - ALL RIGHTS RESERVED.

LOC		DIST		REVISIONS			
P	LTR	DESCRIPTION		DATE	DWN	APVD	
CM	00	M		REVISED PER ECR-13-008204	10DEC2013	KH	TM



SEE DETAIL A



- 1 0.00076[.000030] MIN GOLD AT POINT OF MEASUREMENT IN THE LOCALIZED GOLD PLATE AREA, 0.00127[.000050] MIN TIN-LEAD IN TIN-LEAD PLATE AREA, 0.00127[.000050] MIN NICKEL UNDERPLATE ON ENTIRE CONTACT.
- 2 WIRE RANGE: 0.5-2mm² [20-14 AWG] INSULATION RANGE: 3.30-5.08 [.130-.200] DIA.
- 3 DIMENSIONS IN BRACKETS ARE IN INCHES.
- 4 LETTER "P" STAMPED IN THIS LOCATION.
- 5 0.00076[.000030] MIN GOLD AT POINT OF MEASUREMENT IN THE LOCALIZED GOLD PLATE AREA, 0.00127[.000050] MIN TIN IN TIN PLATE AREA, 0.00127[.000050] MIN NICKEL UNDERPLATE ON ENTIRE CONTACT.
- 6 SUPERSEDED BY 1-770005-0
- 7 SUPERSEDED BY 1-770005-1

FINISH	MATERIAL	PART NUMBER
4 GOLD 5	0.30 [.012] PH BRZ	1-770005-1
4 GOLD 5	0.30 [.012] BRASS	1-770005-0
7 4 GOLD 1	0.30 [.012] PH BRZ	770005-4
4 PRE-TIN	0.30 [.012] PH BRZ	770005-3
6 4 GOLD 1	0.30 [.012] BRASS	770005-2
4 PRE-TIN	0.30 [.012] BRASS	770005-1

THIS DRAWING IS A CONTROLLED DOCUMENT.

DWN S. CARPENTER 20MAY03	TE Connectivity PIN, UNIVERSAL MATE-N-LOK(TM) II
CHK C. JONES 20MAY03	
APVD C. JONES 20MAY03	
PRODUCT SPEC	
MATERIAL SEE TABLE	NAME
TOLERANCES UNLESS OTHERWISE SPECIFIED:	SIZE A2
0 PLC ± -	CAGE CODE 00779
1 PLC ± -	DRAWING NO C=770005
2 PLC ± -	RESTRICTED TO
3 PLC ± -	SCALE 4:1
4 PLC ± -	SHEET 1 OF 1
ANGLES ± -	REV M
FINISH SEE TABLE	CUSTOMER DRAWING

单击下面可查看定价，库存，交付和生命周期等信息

[>>TE Connectivity\(泰科\)](#)