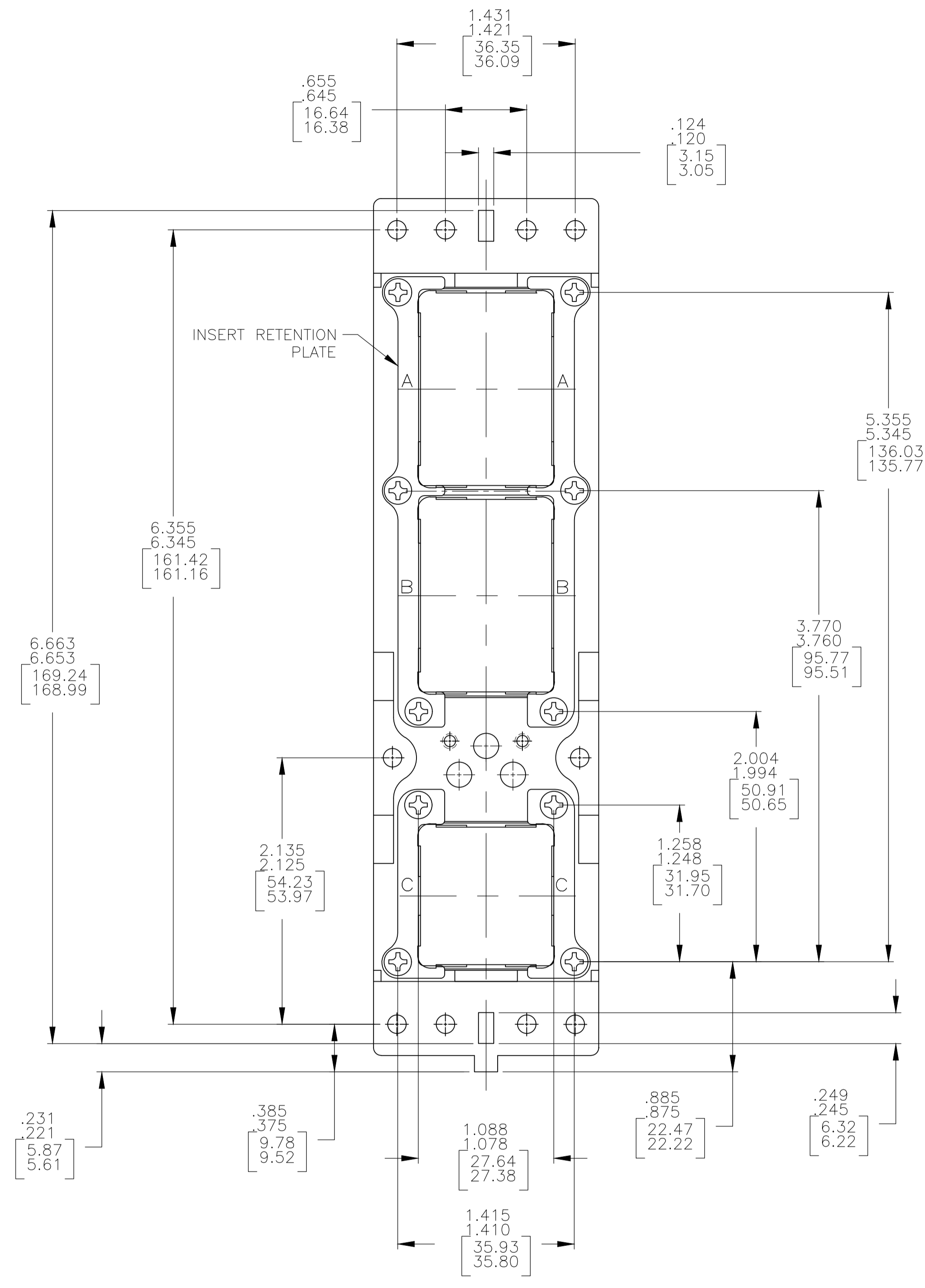
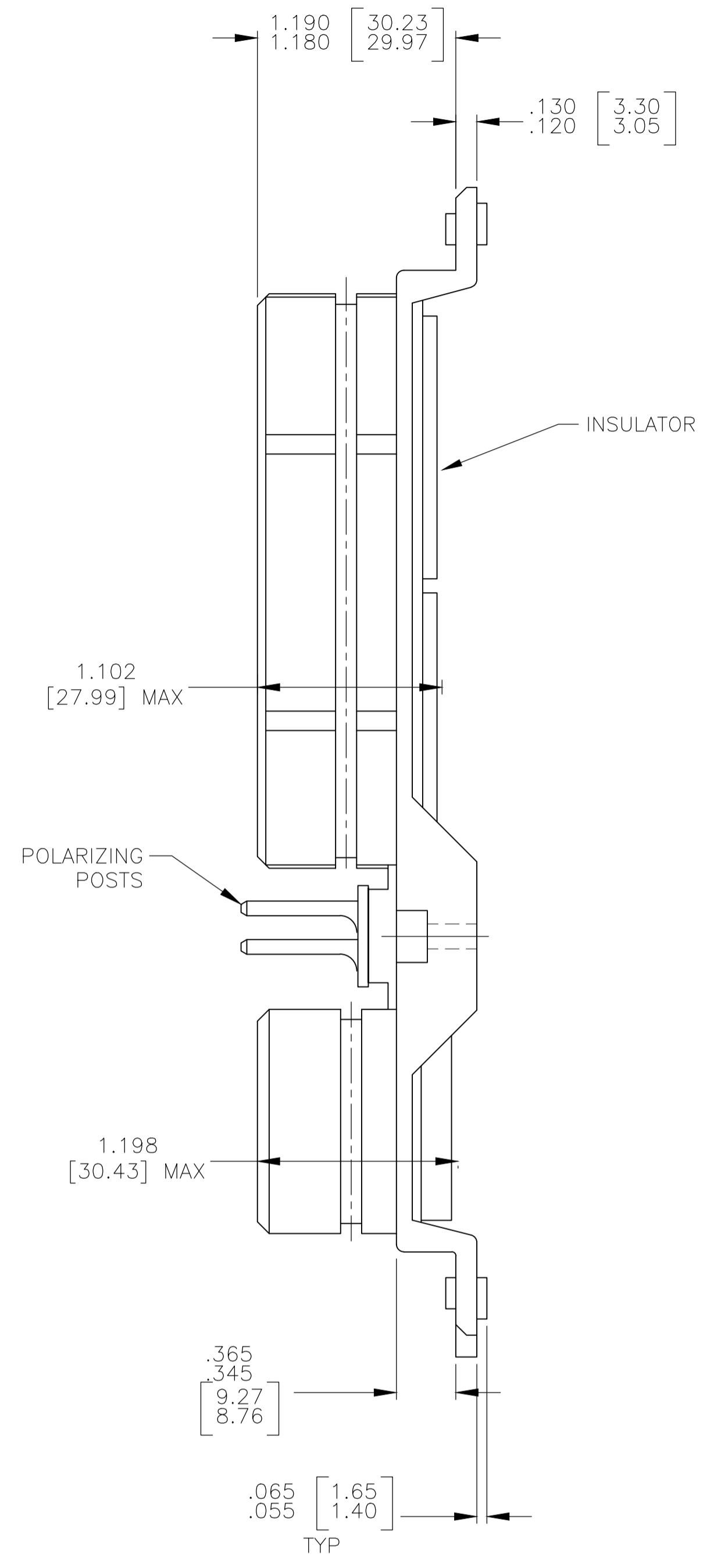
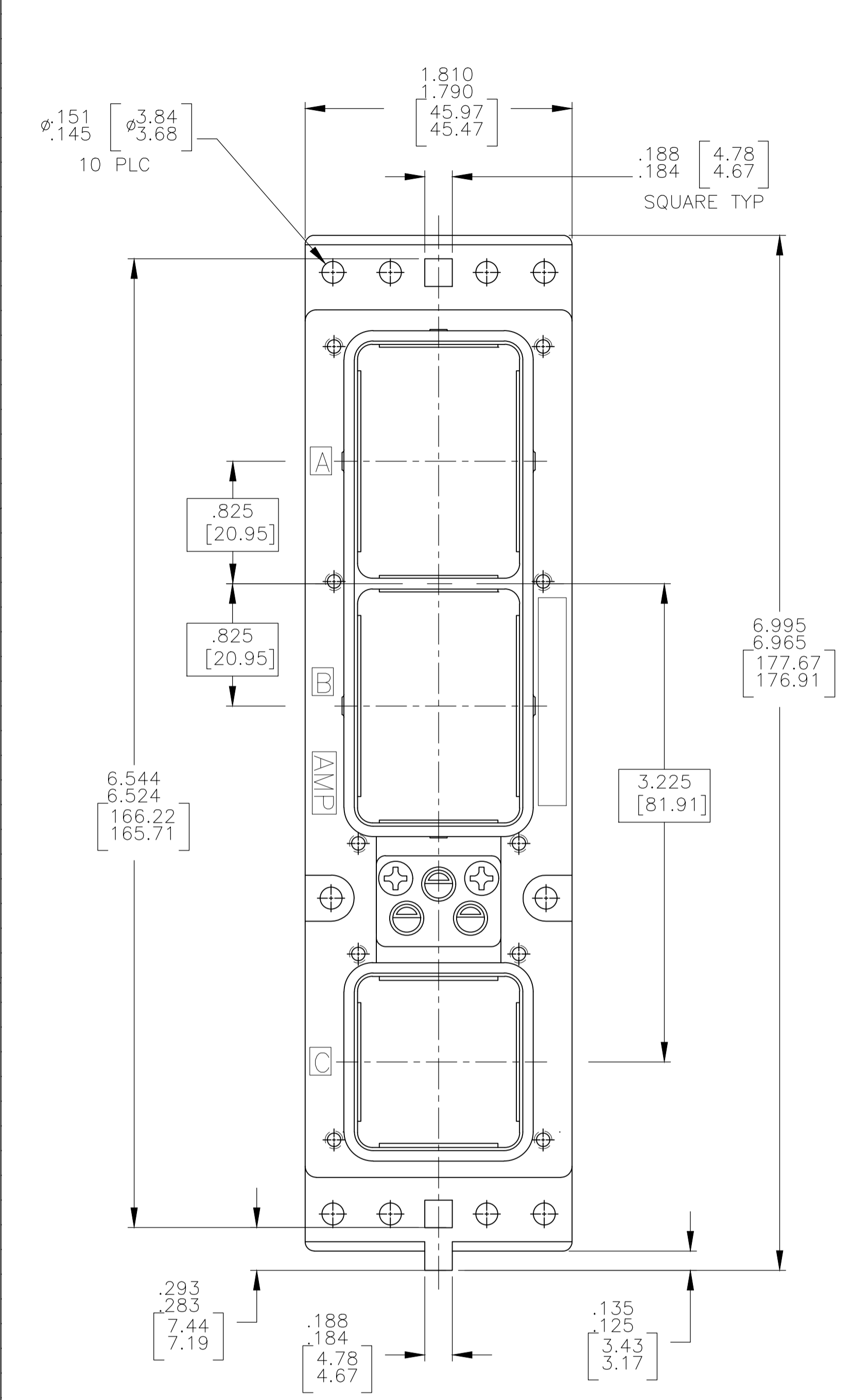


REVISIONS				
P	LTR	DESCRIPTION	DATE	APP'D
AH	REVISED PER ECO-17-018523		19JAN2018	PHM CT



NIC66H26A02AA0	7	4-208972-1
NIC66H20A08AA1	9	4-208972-0
NIC66H52A03AA0	9	3-208972-9
NIC66H21A06AA0	7	3-208972-8
NIC66H21A03AA0	7	3-208972-7
NIC66H20A00AA0	7	3-208972-6
NIC66H26A00AA1	9	3-208972-5
-	-	3-208972-4
NIC66H23A00CB1	7	3-208972-3
NIC66HN20A00AA0	8	3-208972-2
NIC66H52A00AA0	9	3-208972-1
NIC66H54A01AA1	7	2-208972-0
NIC66H20A AA0	7	2-208972-9
-	-	2-208972-8
-	-	2-208972-7
-	-	2-208972-6
NIC66H53A01AA0	7	2-208972-5
NIC66H51A00AA0	7	2-208972-4
NIC66H23A02AA0	7	2-208972-3
NIC66H26A01SA1	7	2-208972-2
NIC66H23A05AA0	7	2-208972-1
NIC66H22A13AA0	7	2-208972-0
-	-	1-208972-9
NIC66H23A01CB1	9	1-208972-8
-	-	1-208972-7
NIC66H21A00AA0	9	1-208972-6
NIC66H26A01AA0	7	1-208972-5
NIC66H21A02AA0	7	1-208972-4
NIC66H26A01AA1	7	1-208972-3
NIC66H21A02AA1	7	1-208972-2
NIC66H21A14AA0	7	1-208972-1
NIC66H25A01AA1	7	1-208972-0
NIC66H25A01AA0	7	208972-9
NIC66H22A01AA1	7	208972-8
NIC66H23A01AA1	7	208972-7
-	-	208972-6
NIC66H23A01AA0	7	208972-5
-	-	208972-4
-	-	208972-3
NIC66H21A01AA1	9	208972-2
NIC66H21A01AA0	9	208972-1

- CONNECTOR DIMENSIONS ARE PER ARINC 600 SPECIFICATION
- KEYING SHOWN IN POSITION "01" FOR REFERENCE ONLY. CONNECTOR SHIPPED WITH KEYING PER ORDERING INSTRUCTIONS. FOR POSITION "00" KEYING SHIPPED UNASSEMBLED.
- FOR SHIPMENT CONTACTS (IF ORDERED) ARE INCLUDED IN A CONTAINER WITHIN THE CONNECTOR PACKAGE. COAX CONTACTS ARE NOT SUPPLIED AND MUST BE ORDERED SEPARATELY.
- SPECIAL WITH INSERTS 150/71C1/34 STANDARD MOUNTING. ALL CONTACTS ORDERED SEPARATELY. KEYED TO POSITION 01
- PRELIMINARY PART NUMBER, NOT RELEASED FOR PRODUCTION
- SEE SHEET 2 FOR INSERT ARRANGEMENTS
- CHEMICAL CONVERSION COATING PER MIL-C-5541, CLASS 1A
- ELECTROLESS NICKEL PER MIL-C-26074, CLASS 3 OR 4, GRADE B
- CHROMATE CONVERSION PER MIL-C-5541, CLASS 3, TYPE II.

COMPONENT	MATERIAL	FINISH
SHELL	DIE CAST ALUMINUM PER ASTM-B-85	7 8 9 SEE PART NUMBER TABLE
RETENTION PLATES	ALUMINUM ALLOY PER ASTM-B-209	7 8 9 SEE PART NUMBER TABLE
SCREWS AND LOCKWASHERS	STEEL OR STAINLESS STEEL	STAINLESS STEEL OR PASSIVATED
POLARIZING POSTS	ZINC ALLOY PER ASTM-B-86	ELECTROLESS NICKEL PER MIL-C-26074 CLASS 4, GRADE B
INSERTS	THERMOSET	-
FILLER PLUG	TEFLON	-
POLARIZING POST RETAINING PLATE	ALUMINUM ALLOY PER ASTM-B-209	BLUE ANODIZED PER MIL-A-8625

THIS DRAWING IS A CONTROLLED DOCUMENT.

DIMENSIONS: INCHES. TOLERANCES UNLESS OTHERWISE SPECIFIED:

0 PLC	± .005
1 PLC	± .005
2 PLC	± .005
3 PLC	± .005
4 PLC	± .005
ANGLES	± .005

MATERIAL SEE TABLE. FINISH SEE TABLE.

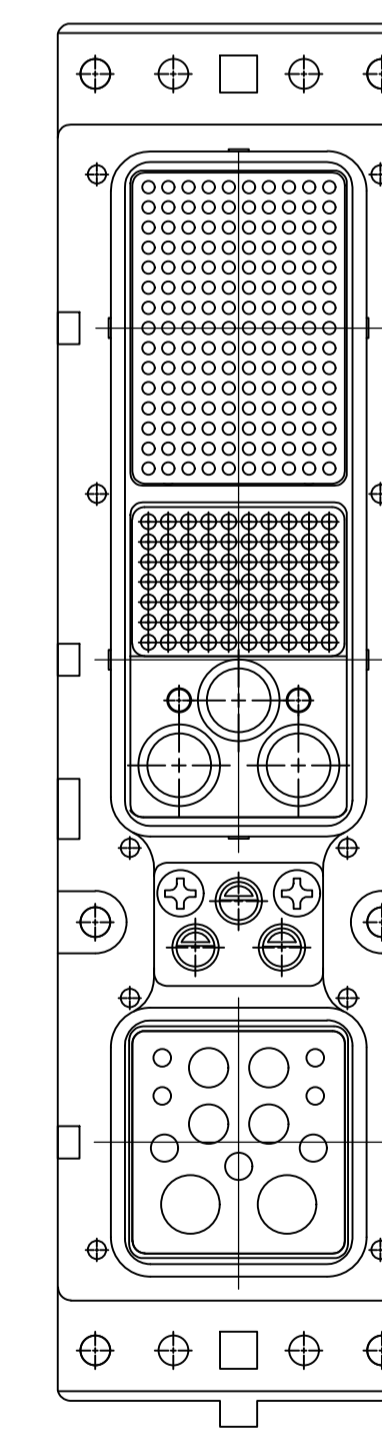
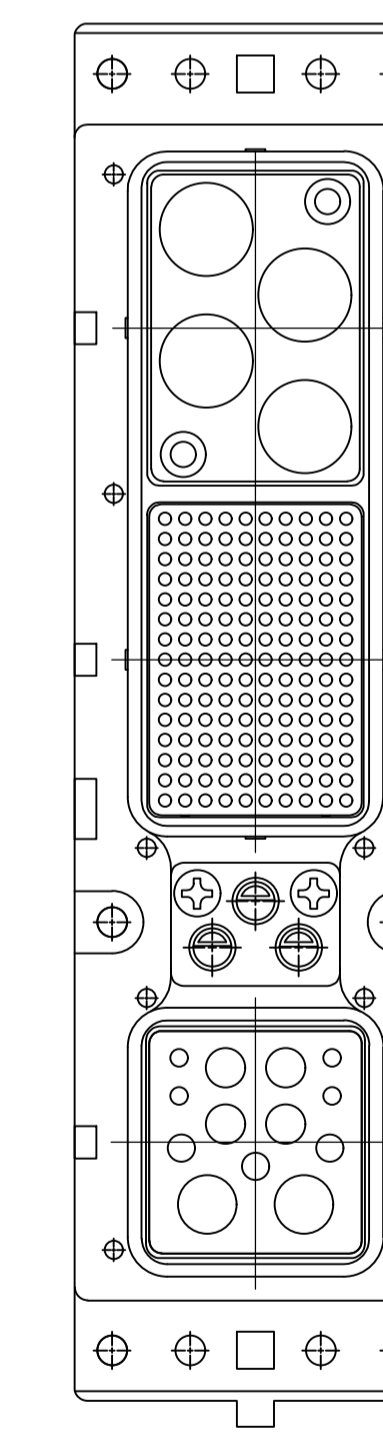
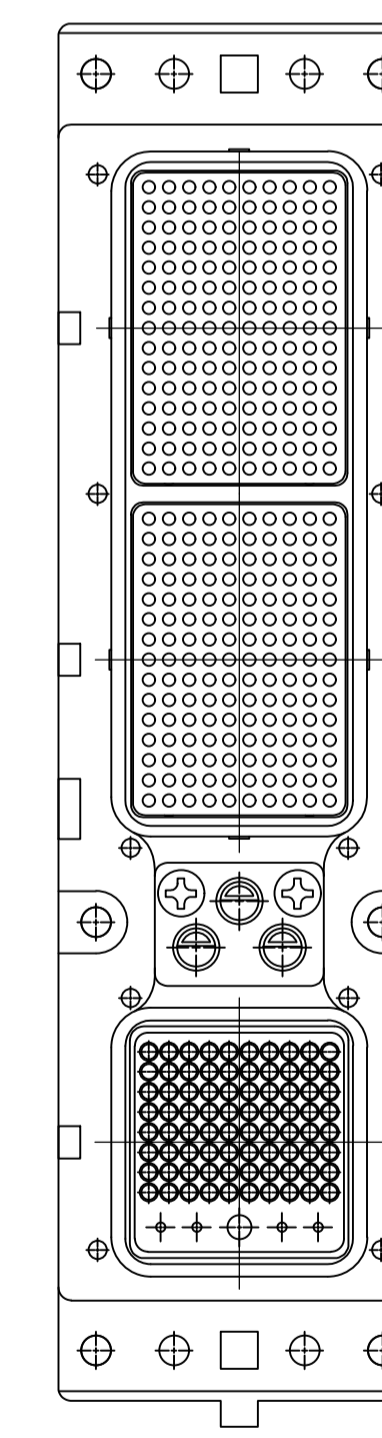
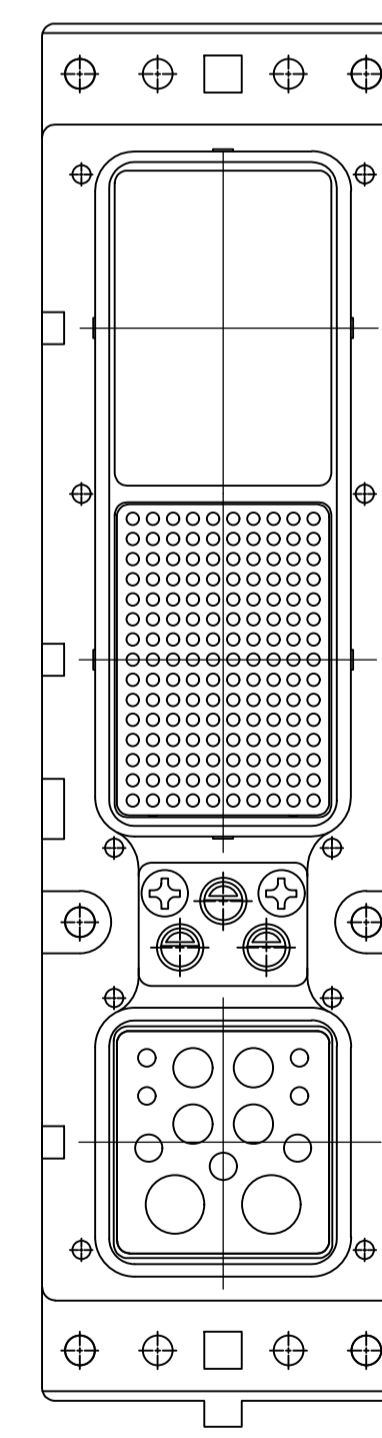
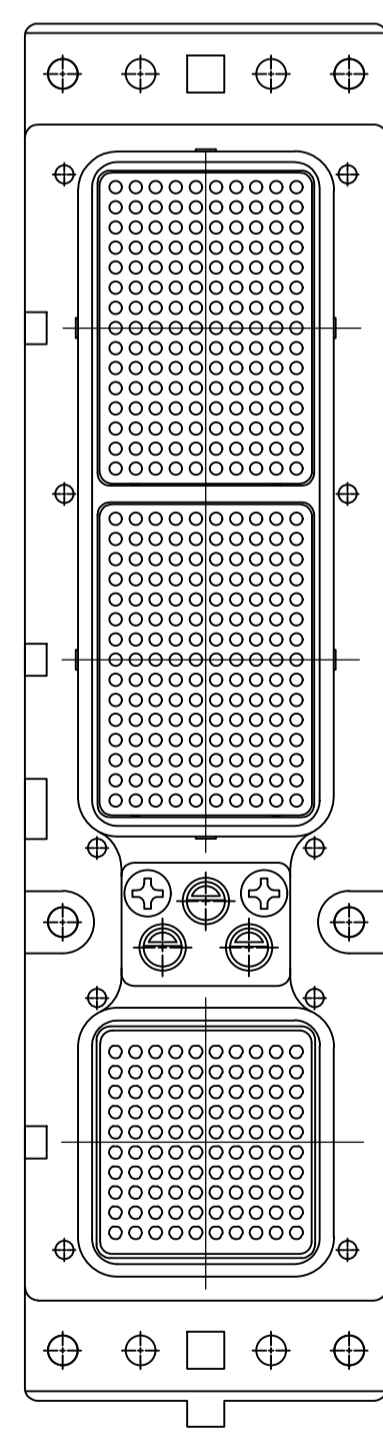
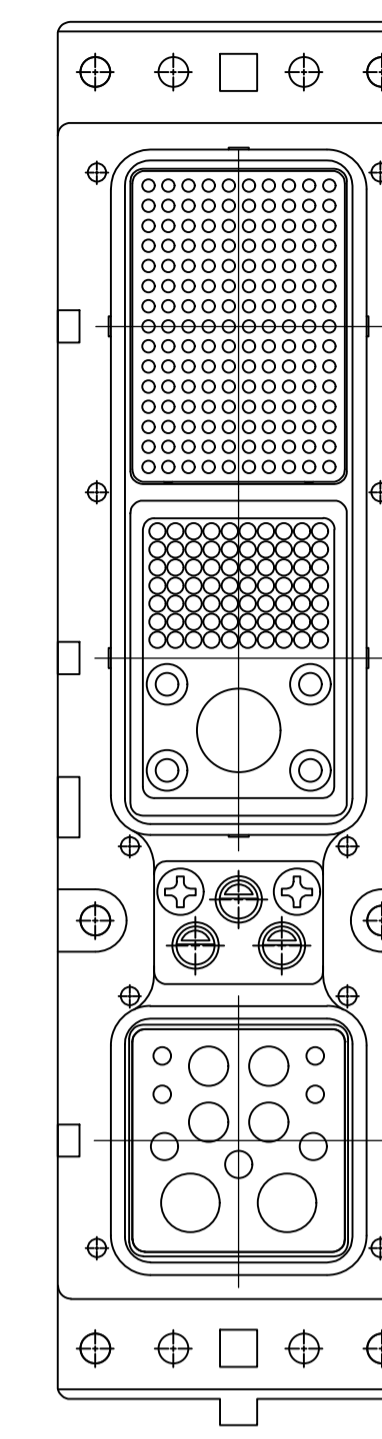
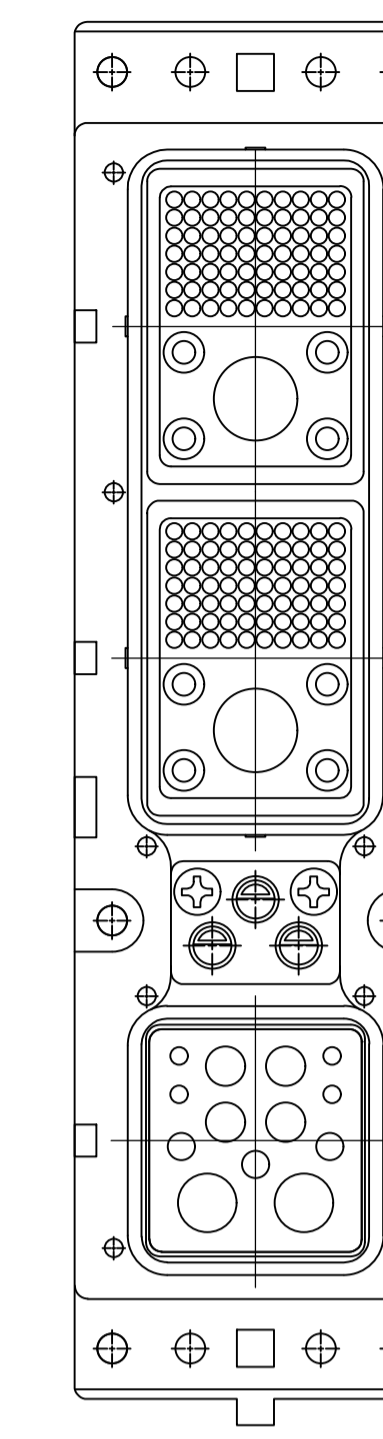
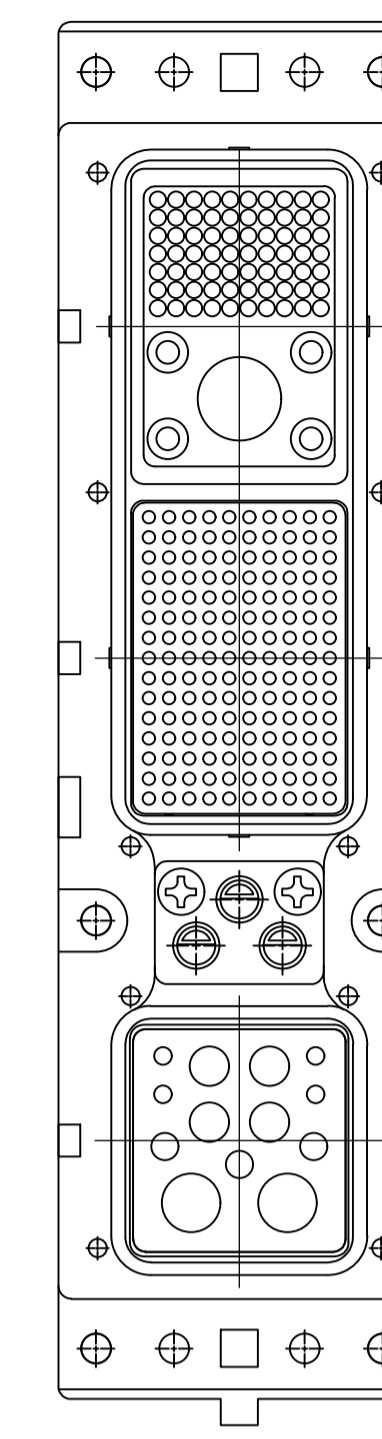
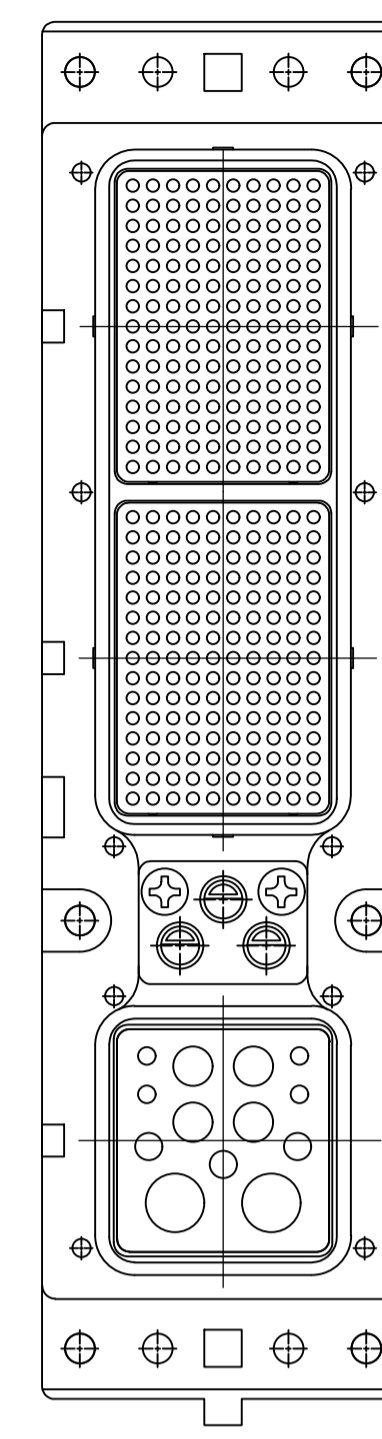
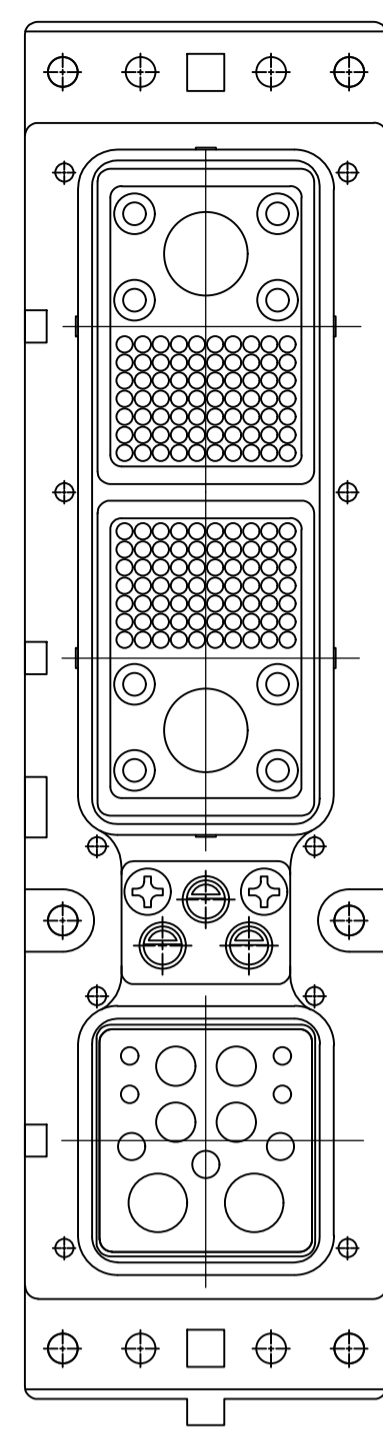
APPROVED: C.C. THOMAS, 11-27-95. REVISED: R. GROSS, 4-11-96.

NAME: CONNECTOR ASSY, SIZE 2, CLASS A, PLUG/ARINC 600.

SIZE: A1. CAGE CODE: 00779. DRAWING NO: 208972. RESTRICTED TO: CUSTOMER DRAWING. SCALE: 1:1. SHEET: 1 OF 2. REV: AH.

THIS DRAWING IS UNPUBLISHED. RELEASED FOR PUBLICATION. ALL RIGHTS RESERVED.

REV	DATE	DESCRIPTION	BY	APP'D
1		SEE SHEET 1		



THIS DRAWING IS A CONTROLLED DOCUMENT.		DWN C. THOMAS	11-27-95	 TE Connectivity Ltd.
		CHK R. GROSS	4-11-96	
		APP'D R. GROSS	4-11-96	NAME
		PRODUCT SPEC		CONNECTOR ASSY, SIZE 2
		APPLICATION SPEC		CLASS A, PLUG, ARINC-600
		WEIGHT		RESTRICTED TO
		A1 00779		208972
		CUSTOMER DRAWING		SCALE 1:1 SHEET 2 OF 2 REV AH

单击下面可查看定价，库存，交付和生命周期等信息

[>>TE Connectivity\(泰科\)](#)