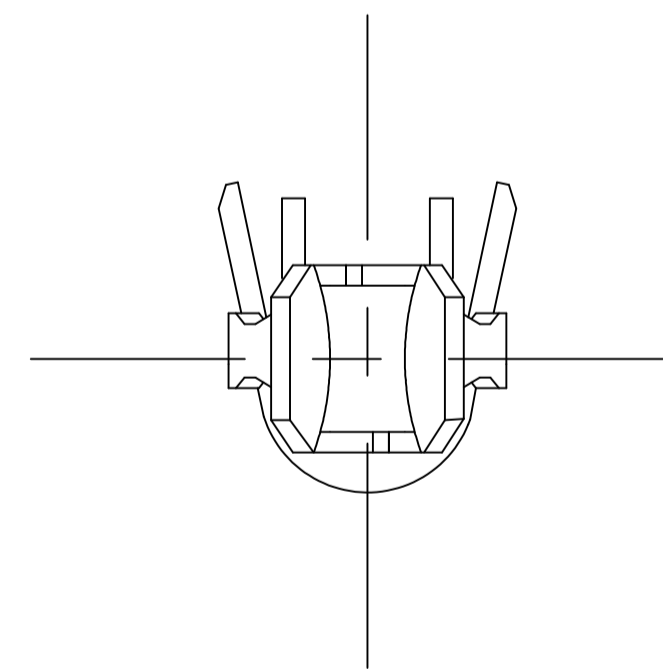
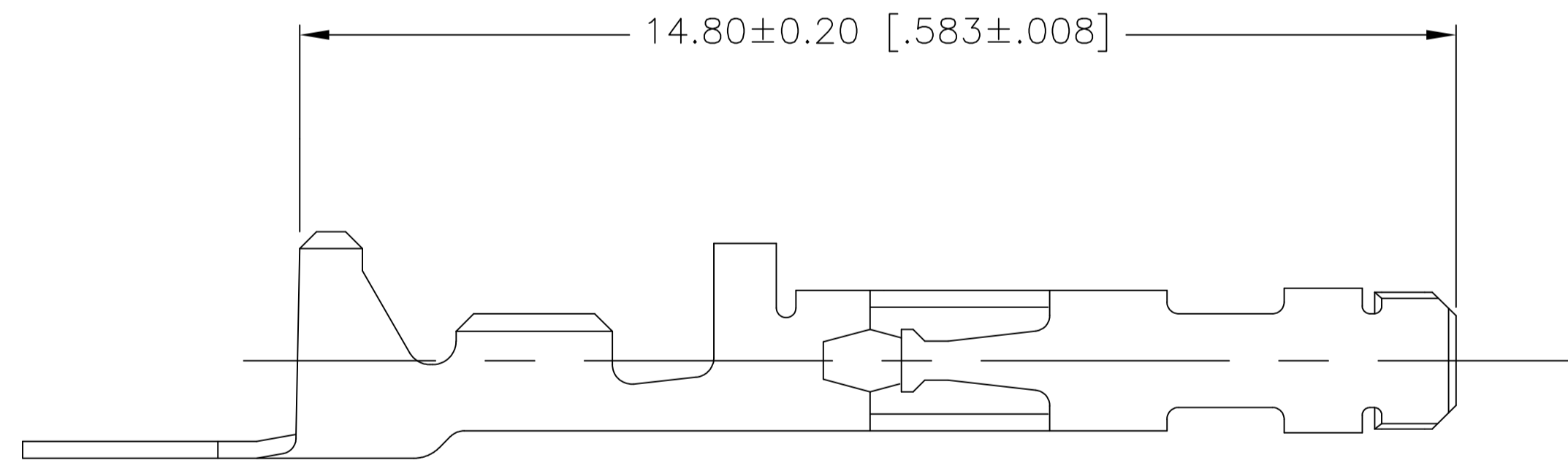
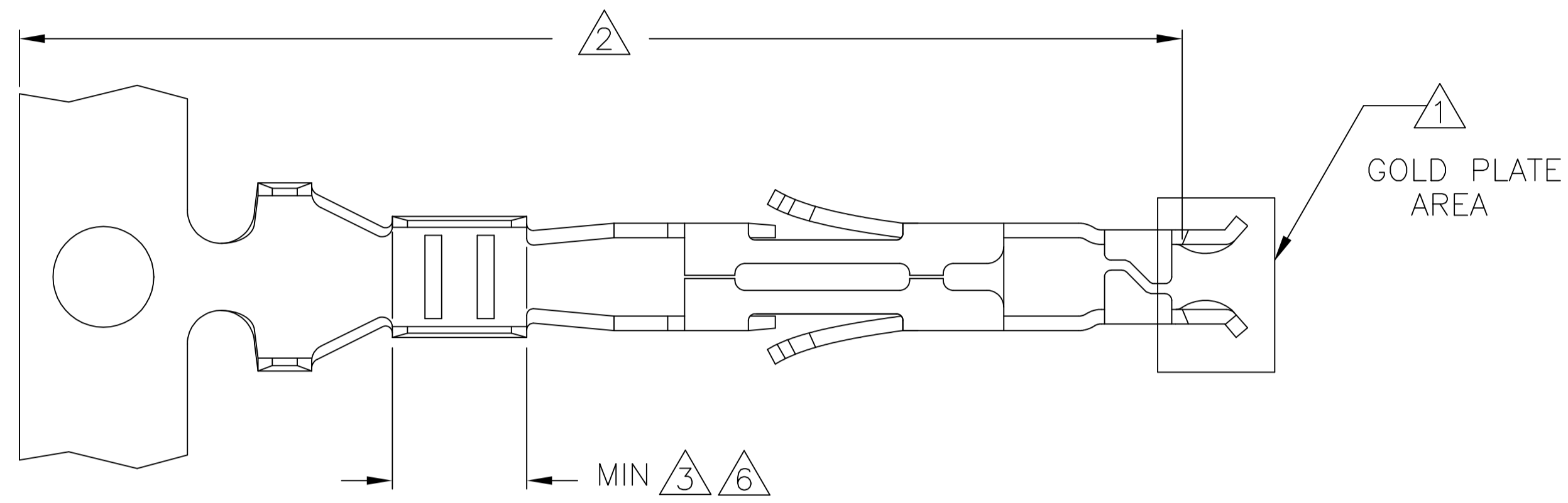


THIS DRAWING IS UNPUBLISHED. RELEASED FOR PUBLICATION  
 © COPYRIGHT - TE Connectivity ALL RIGHTS RESERVED.

REVISIONS					
P	LTR	DESCRIPTION	DATE	DWN	APVD
L		REVISED PER ECO-18-012589	13AUG2018	TZ	DZ



- ① FINISH: 0.76μm MIN GOLD OVER 1.27μm MIN NICKEL REQUIRED ON INNER SURFACE, PERMITTED ON OUTER SURFACE.
- ② FINISH: NICKEL BASE PLATE ON ALL SURFACES IN THIS AREA.
- ③ FINISH: 2.54μm MIN TIN-LEAD ON ALL SURFACES IN THIS AREA.
- 4. WIRE RANGE: 0.12-0.35mm<sup>2</sup> (26-22 AWG).
- 5. INSULATION RANGE; ø1.20-1.75 [ø.047-.069]
- ⑥ FINISH: 2.54μm MINIMUM TIN ON ALL SURFACES IN THIS AREA.

1-794142-3	①②⑥	0.22 [.009] PH BRZ	1-794139-3
794142-3	①②③	0.22 [.009] PH BRZ	794139-3
REFERENCE LOOSE PIECE	FINISH	MATERIAL	PART NUMBER

THIS DRAWING IS A CONTROLLED DOCUMENT.		DWN S. HOOVER 26-SEP-2002		
DIMENSIONS: mm		CHK D. COLEY 26-SEP-2002		
TOLERANCES UNLESS OTHERWISE SPECIFIED:		APVD D. COLEY 26-SEP-2002	NAME CONTACT, SOCKET, AMP-DUAC™ POWER CONNECTOR	
0 PLC ±		PRODUCT SPEC 108-1646	RESTRICTED TO	
1 PLC ±		APPLICATION SPEC 114-6067	SIZE A2	REV L
2 PLC ± 0.10 [.004]		WEIGHT 0.000000	CAGE CODE 00779	DRAWING NO C=794139
3 PLC ±		CUSTOMER DRAWING	SCALE 10:1	SHEET 1 of 1
4 PLC ±				
ANGLES ± 0° 30'				
FINISH				

单击下面可查看定价，库存，交付和生命周期等信息

[>>TE Connectivity\(泰科\)](#)