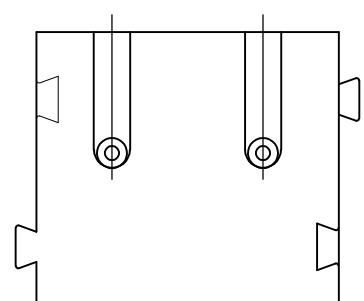
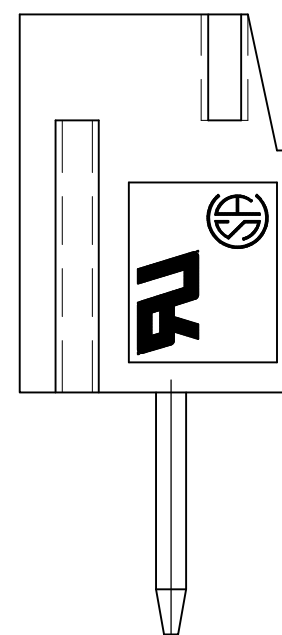
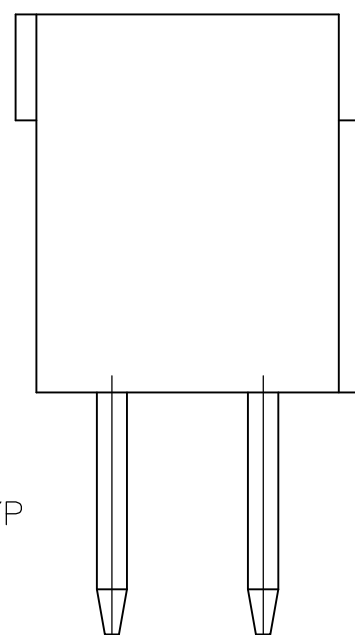
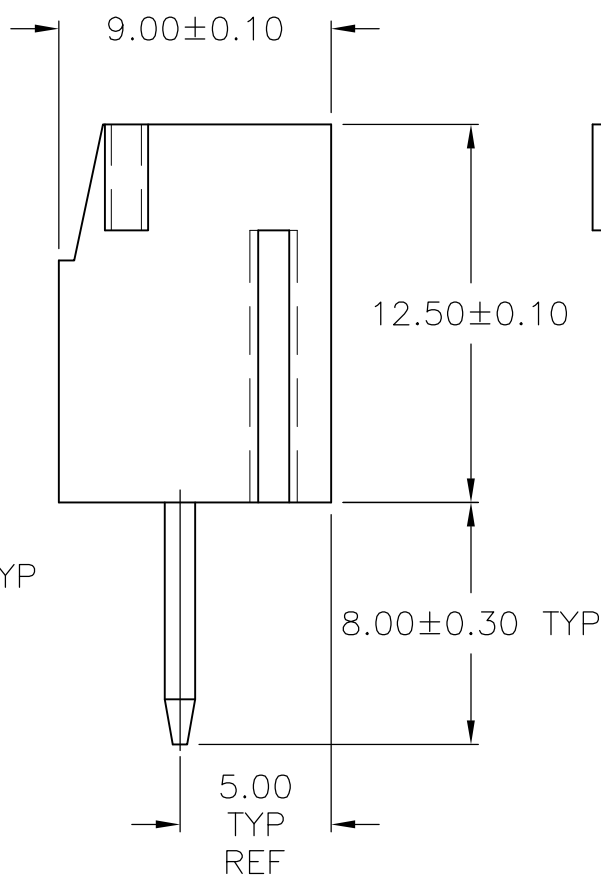
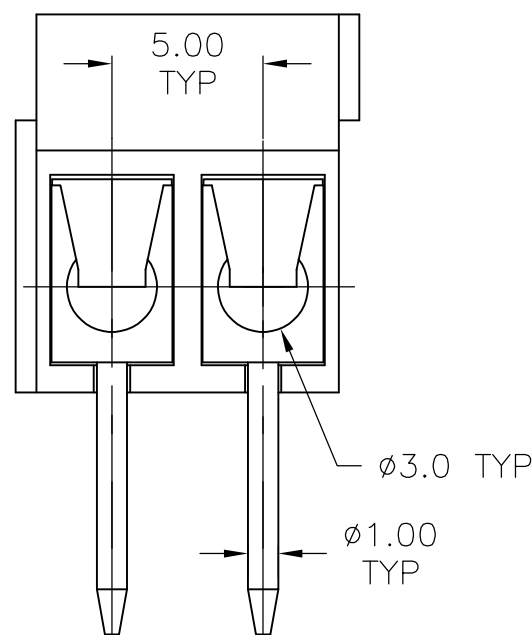
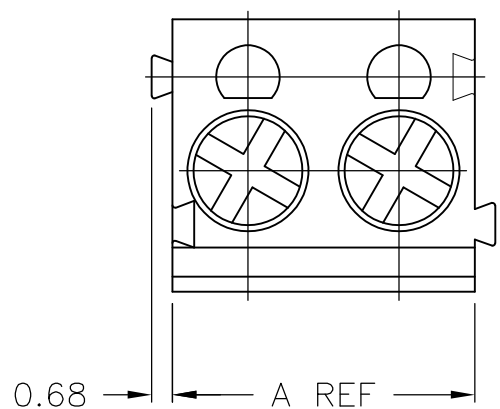


THIS DRAWING IS UNPUBLISHED. RELEASED FOR PUBLICATION  
 © COPYRIGHT BY TYCO ELECTRONICS CORPORATION. ALL RIGHTS RESERVED.

LOC	DIST	REVISIONS			
P	LTR	DESCRIPTION	DATE	DWN	APVD
FT	0	A2	REVISED PER ECO-10-011447	02JUN10	HMR CR

1. ALL DIMENSIONS ARE IN MM.
2. Recommended PC-Board-holes diameter:  $\phi 1.20\text{mm}$  to  $1.40\text{mm}$
3. BUCHANAN LOGO TO APPEAR ON HOUSING LOCATION OPTIONAL WHERE SPACE PERMITS.
4. PARTS TO BE WAVE SOLDER PROCESS CAPABLE UP TO  $265^{\circ}\text{C}$  FOR 10 SECONDS MAX.



40.00	8	1776816-8
30.00	6	1776816-6
20.00	4	1776816-4
10.00	2	1776816-2
DIM. A	NO. OF POS.	PART NUMBER

THIS DRAWING IS A CONTROLLED DOCUMENT.		DWN S SCHLEGEL 3/24/06	Tyco Electronics Corporation Harrisburg, Pa 17105-3608			
DIMENSIONS: mm		CHK C RICHARD 3/24/06				
TOLERANCES UNLESS OTHERWISE SPECIFIED:		APVD C RICHARD 3/24/06	NAME			
0 PLC ± - 1 PLC ± 0.3 2 PLC ± 0.25 3 PLC ± - 4 PLC ± - ANGLES ± -		PRODUCT SPEC	TERMINAL BLOCK PCB MOUNT, STRAIGHT SIDE WIRE ENTRY W/ INTERLOCK, 5.00mm PITCH			
MATERIAL		APPLICATION SPEC	SIZE	CAGE CODE	DRAWING NO	RESTRICTED TO
FINISH		WEIGHT	A3 00779		C-1776816	-
CUSTOMER DRAWING			SCALE	SHEET	REV	
			NTS	1 OF 2	A2	

THIS DRAWING IS UNPUBLISHED. RELEASED FOR PUBLICATION  
 © COPYRIGHT - BY TYCO ELECTRONICS CORPORATION. ALL RIGHTS RESERVED.

LOC	DIST	REVISIONS			
P	LTR	DESCRIPTION	DATE	DWN	APVD
FT	0	SEE SHEET 1	-	-	-

## 1. Application and Features:

- 1-1. This is the most standard version which is an economic and reliable solution for Cable to PC-Board connection .
- 1-2. Standard sizes are 2 and 3 way-blocks, but every number of contact can be combined, by simply plugging them together and can be ordered as required\*\*
- 1-3. Holes for test-pins .
- 1-4. With wire guard for wire protection (for that the screw doesn't press directly on the wire)

## 2. Technical Data:

### 2-1. Material:

- 2-1-1. HOUSING: NYLON 6.6  
UL 94 V-0 (Black).
- 2-1-2. Metal Housing: Brass(Cu Zn)  
Cu,Tin plated.
- 2-1-3. Screw: Steel galvanized and chromatized.
- 2-1-4. Wire guard: Stainless steel Tin plated.

### 2-2. Electrical:

- 2-2-1. Current rating: 10 Amps/way max.

2-2-2. Contact resistance: 20mΩ (Max).

2-2-3. Insulation resistance: 5000MΩ /1000V.

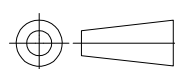
2-2-4. Withstanding Voltage: 1500VAC (1min).  
test time =60sec/1pcs

2-2-5. Operation Voltage: 300 VAC.

2-2-6. Wire Range: 12-22 AWG.

### 2-3. Mechanical:

- 2-3-1. Screw Torque: 4 Kg.cm (Max).
- 2-3-2. Operating temperature: -55°C to +105°C.
- 2-3-3. Solderability: 95% coverage (min).

THIS DRAWING IS A CONTROLLED DOCUMENT.		DWN S SCHLEGEL 3/24/06	Tyco Electronics Corporation Harrisburg, Pa 17105-3608	
DIMENSIONS: mm		CHK C RICHARD 3/24/06	NAME TERMINAL BLOCK PCB MOUNT, STRAIGHT SIDE WIRE ENTRY 5.00mm PITCH	
TOLERANCES UNLESS OTHERWISE SPECIFIED:		APVD C RICHARD 3/24/06	RESTRICTED TO	
		PRODUCT SPEC -	-	
0 PLC ± - 1 PLC ± 0.3 2 PLC ± 0.25 3 PLC ± - 4 PLC ± - ANGLES ± -		APPLICATION SPEC -	SIZE A3	CAGE CODE 00779
MATERIAL -	FINISH -	WEIGHT -	DRAWING NO C-1776816	REV A2
CUSTOMER DRAWING			SCALE NTS	SHEET 2 OF 2

单击下面可查看定价，库存，交付和生命周期等信息

[>>TE Connectivity\(泰科\)](#)