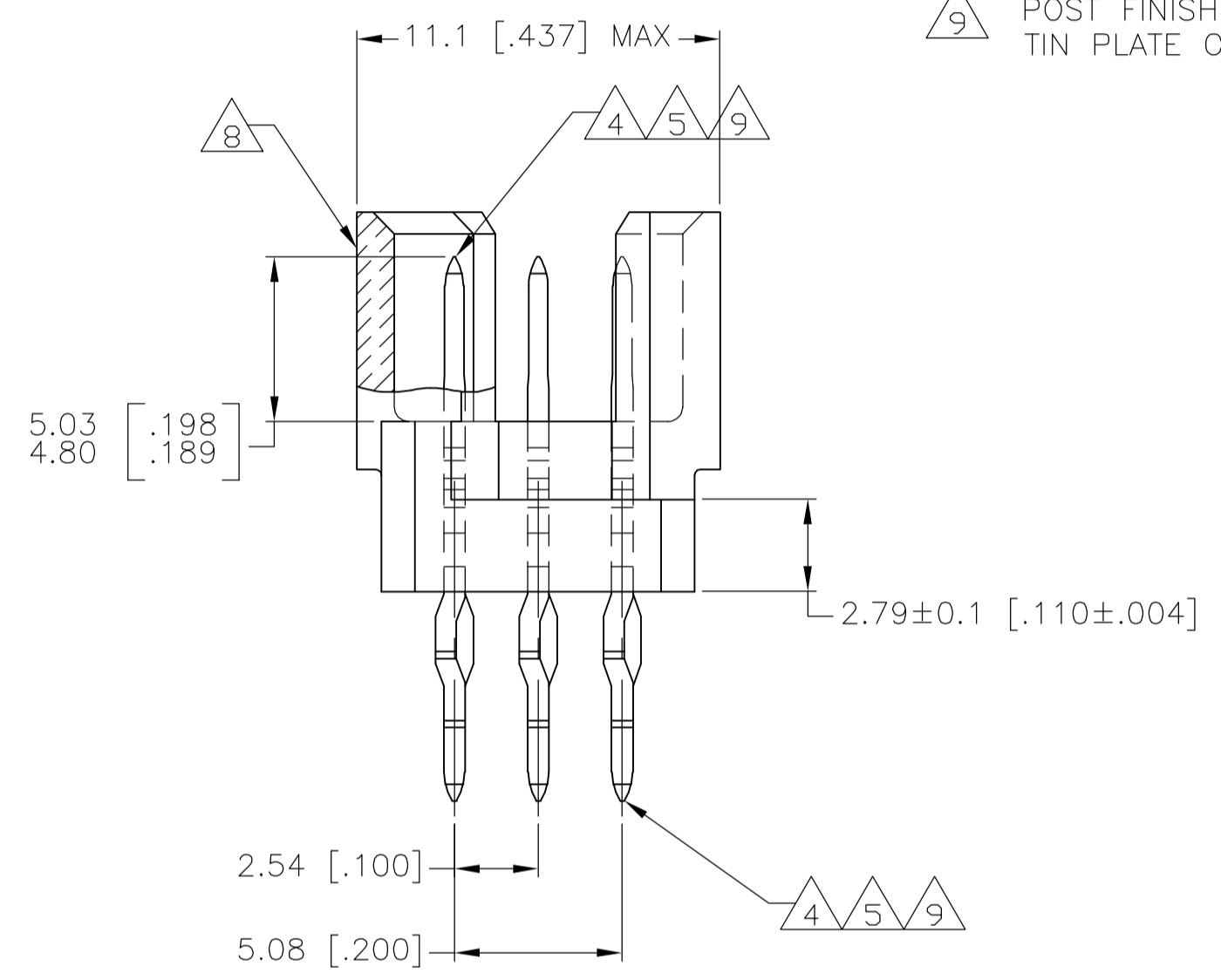


PC BOARD LAYOUT

1. DIMENSIONS IN BRACKETS ARE IN INCHES.
2. HOUSING MATERIAL: GLASS-FILLED POLYESTER, GRAY.
3. POST MATERIAL: PHOSPHOR BRONZE.
4. POST FINISH: DIN 41612 CLASS 3 IN CONTACT AREA. TIN-LEAD PLATE ON POSTS.
5. POST FINISH: DIN 41612 CLASS 2 IN CONTACT AREA. TIN-LEAD PLATE ON POSTS.
6. ACTION PIN POSTS REQUIRE 2.36 [.093] MIN THICK PC BOARD. RECOMMENDED PC BOARD HOLES ARE $\phi 1.151$ [.0453] PLATED THROUGH WITH 0.02-0.08 [.001-.003] COPPER AND 0.008 [.0003] MIN TIN-LEAD PLATING. FINISHED HOLE AFTER PLATING, $\phi 0.94-1.09$ [.037-.043].
7. PART NUMBER, DATE CODE MARKED THIS APPROXIMATE AREA.
8. MARKING ON THIS SIDE.
9. POST FINISH: DIN 41612 CLASS 2 CONTACT AREA TIN PLATE ON POSTS.



OBSOLETE	9	1-16	X	X	X	48	7-650918-5
SUPERSEDED BY 650918-5	4	1-16	X	X	X	48	650918-9
	5	1-16	X	X	X	48	650918-5
NOTES		POSITIONS LOADED	C	B	A	NO OF LOADED POSITIONS	ASSY PART NUMBER
		ROWS LOADED					

THIS DRAWING IS A CONTROLLED DOCUMENT.		DWN L.BRINER 10MAY91	Tyco Electronics Corporation Harrisburg, PA 17105-3608	
DIMENSIONS: mm [INCHES]		CHK D.C.RUBENDALL 15MAY91	NAME K.R.PARMER 15MAY91	
TOLERANCES UNLESS OTHERWISE SPECIFIED:		PRODUCT SPEC		
0 PLC ± -		APPLICATION SPEC		
1 PLC ± -		SIZE A1		
2 PLC ± 0.13 [.005]		CAGE CODE 00779		
3 PLC ± -		DRAWING NO 650918		
4 PLC ± -		RESTRICTED TO		
ANGLES ± -		WEIGHT		
MATERIAL		CUSTOMER DRAWING		
FINISH		SCALE 5:1		
		SHEET 1 OF 1		
		REV		

单击下面可查看定价，库存，交付和生命周期等信息

[>>TE Connectivity\(泰科\)](#)