

LOC	DIST	REV	DATE	BY	APPD
GP	00	H	08JUL2009	RG	DO

1. PART NUMBER CHANGES AND OR DESIGN CHANGES EFFECTING ITEM INTERCHANGEABILITY REQUIRE PRIOR TYCO ELECTRONICS APPROVAL AND AUTHORIZATION BY REVISION TO THE DRAWING.

△ MATERIAL:
 INSULATOR - NYLON 6/6, F/R, 30% GLASS FILLED, COLOR: BLACK
 CONTACTS - No. 20 PIN CONTACTS, BRASS ALLOY
 CROWN BAND - BERYLIUM COPPER
 OVERMOLD - PVC BLACK FOR [A] AND YELLOW (PMS 102) FOR [B] INSULATORS
 WIRE - No.24 AWG, 105°, 300 V, UL APPROVED
 CABLE JACKET - PU, COLOR: BLACK, DUROMETER: 85

△ FINISH:
 No. 20 CONTACTS - GOLD PLATED 0.75µm MIN THK. OVER NICKEL 1.27µm MIN THK.

4. OVERMOLD:
 CABLE AND INSULATOR SUB-ASSEMBLY OVERMOLDED WITH STRAIN RELIEF AND PERMANENTLY LOCATED WITH NO AIR GAP AND MOVEMENT.

5. COILED CABLE DESIGN
 12 CONDUCTOR "ZIP" COILED CORD
 COILED ZIP CORD CONSIST OF TWO SEPERATE CONDUCTOR BUNDLE
 EACH BUNDLE CONSIST OF SIX CONDUCTORS
 EACH BUNDLE CONTAIN A FOIL SHIELD/MYLAR SHEATH
 100 V INSULATOR BETWEEN BARRIER AND CONDUCTOR
 INDIVIDUAL CONDUCTOR No.24 AWG

6. COILED CABLE REQUIREMENTS:
 300 VAC MIN INSULATION FOR INDIVIDUAL CONDUCTOR INSULATION
 90° C TEMPERATURE RATING
 UL 94 V I FLAME RESISTANCE RATING

7. TESTING AND QUALITY ASSURANCE :
 A. COMPLETED ASSEMBLY MUST BE CHECKED FOR WORKMANSHIP AND CONFORMANCE TO DRAWING SPECIFICATION AND APPLICABLE TEST
 B. CONTINUITY
 C. CONNECTOR TO BE " FINGER SAFE" AS PER CSA C22.2 No. 60950 OR EN 60950

8. PACKAGING:
 ASSEMBLIES PER THIS DRAWING SHALL BE PACKED AND PACKAGED TO RESIST DAMAGE DURING SHIPMENT.

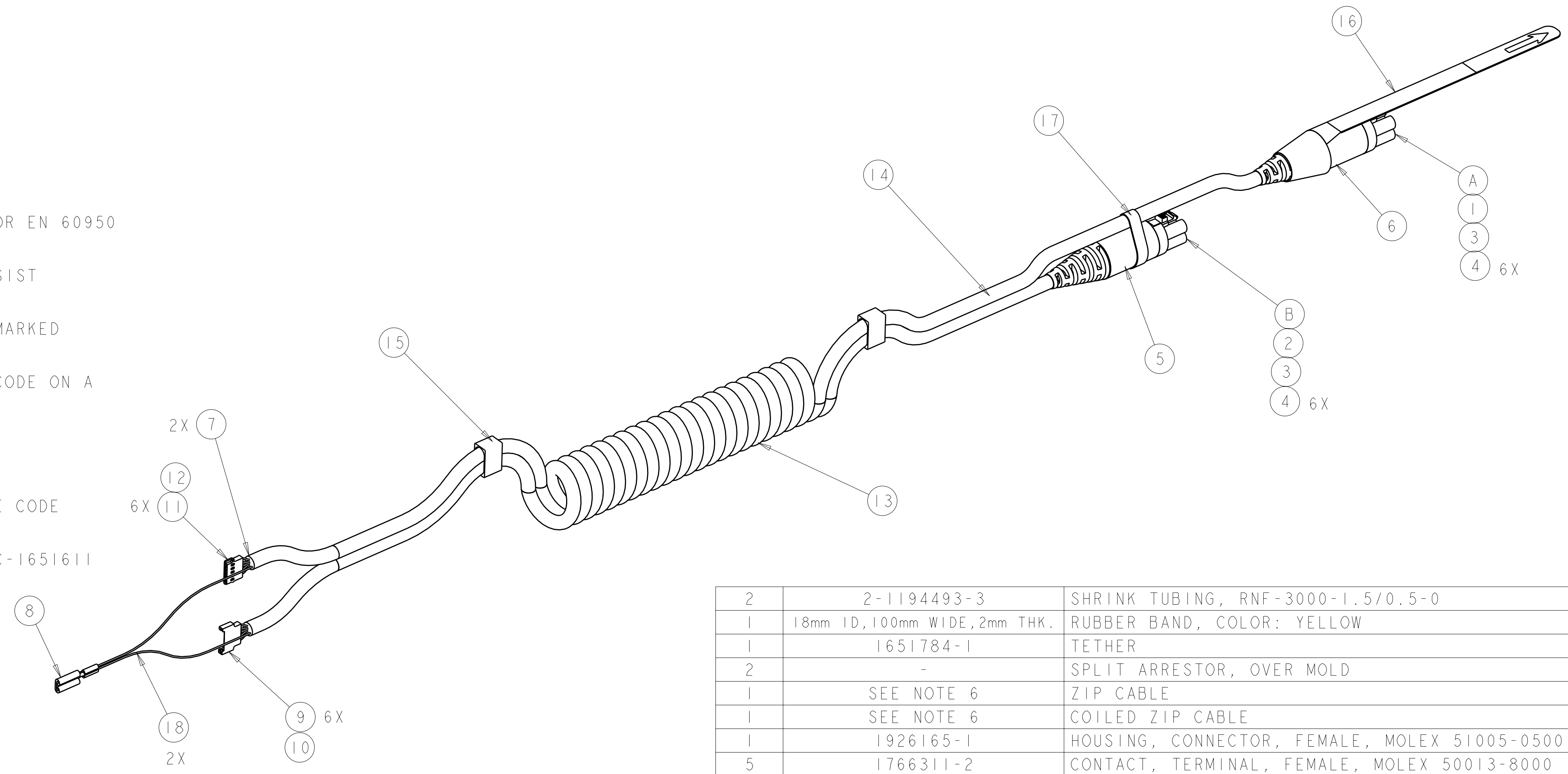
9. COMPLETED ASSEMBLY ARE PACKAGED AND LABELED ON THE PACKAGE/BAG MARKED AS FOLLOWS:

PRINT SEGWAY PART NUMBER, CURRENT SEGWAY REVISION AND DATE CODE ON A COMPUTER PRINTABLE LABEL AS SHOWN.

SEGWAY PN: 1716300001
 SEGWAY REVISION: AE

PRINT TYCO ELECTRONICS PART NUMBER, CURRENT REVISION AND DATE CODE ON A SEPARATE COMPUTER PRINTABLE LABEL.

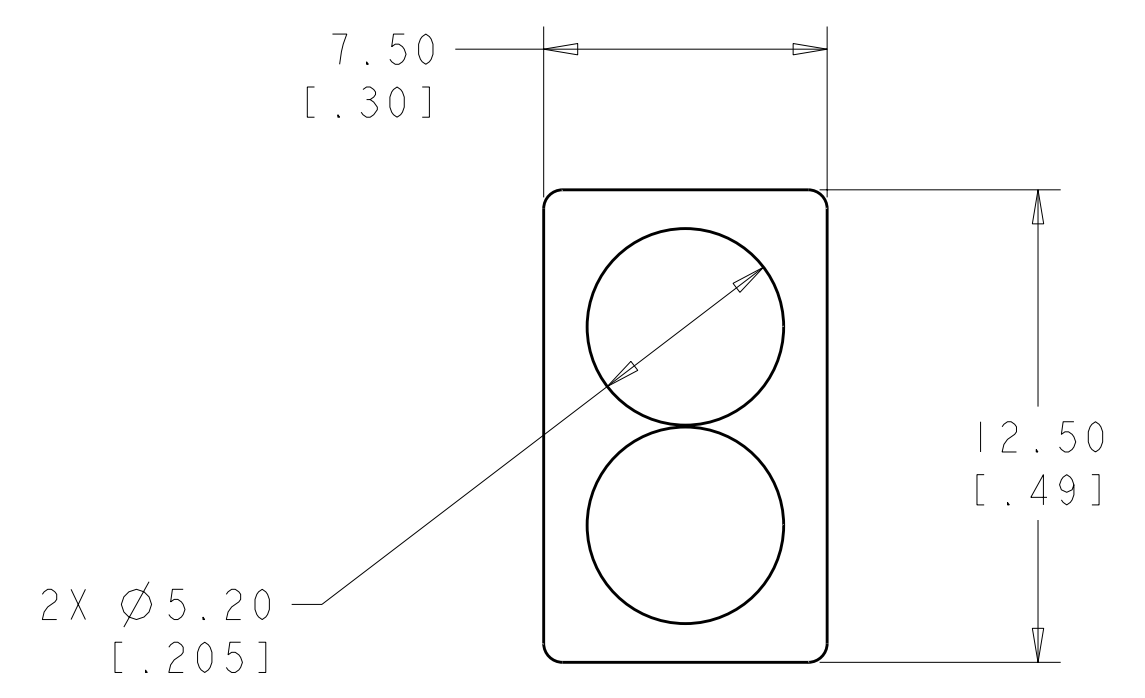
10. REFERENCE TYCO ELECTRONICS PART NUMBER 1651610-2, SEE DRAWING C-1651611 FOR MATING SOCKET CONTACT CABLE ASSY.



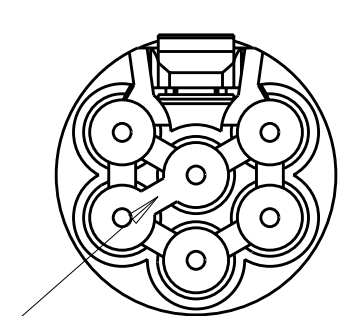
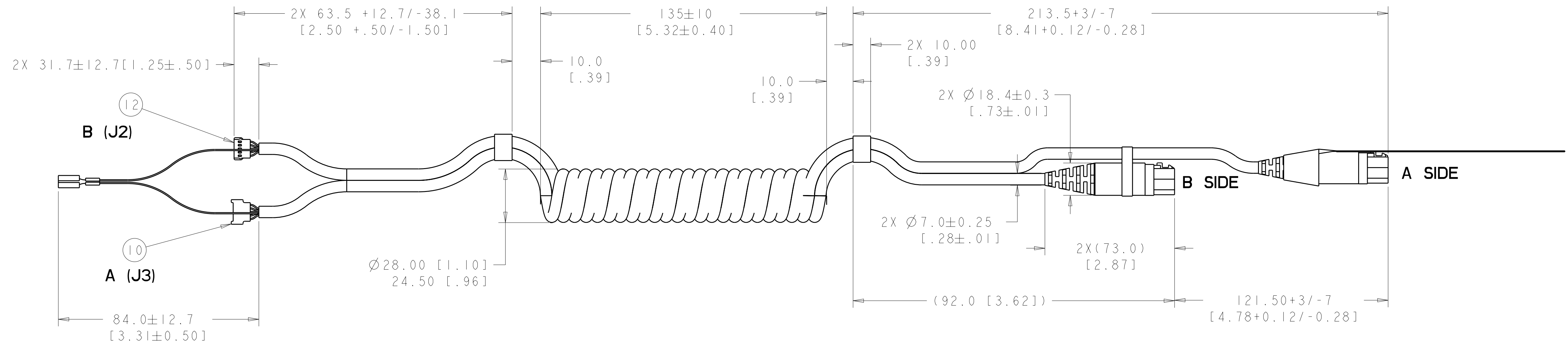
QTY	PART NO.	DESCRIPTION	ITEM	
2	2-1194493-3	SHRINK TUBING, RNF-3000-1.5/0.5-0	18	
1	18mm ID,100mm WIDE,2mm THK.	RUBBER BAND, COLOR: YELLOW	17	
1	1651784-1	TETHER	16	
2	-	SPLIT ARRESTOR, OVER MOLD	15	
1	SEE NOTE 6	ZIP CABLE	14	
1	SEE NOTE 6	COILED ZIP CABLE	13	
1	1926165-1	HOUSING, CONNECTOR, FEMALE, MOLEX 51005-0500	12	
5	1766311-2	CONTACT, TERMINAL, FEMALE, MOLEX 50013-8000	11	
1	1926165-2	HOUSING, CONNECTOR, MALE, MOLEX 51006-0500	10	
5	1766311-1	CONTACT, TERMINAL, MALE, MOLEX 50012-800	9	
1	1766310-1	QUICK DISCONNECT, MOLEX 19019-0006	8	
2	603313-4	SHRINK TUBING, POLYOLEFIN, 6.35mm ID	7	
1	COLOR=BLACK, PVC	STRAIN RELIEF, OVERMOLD, COLOR: BLACK	6	
1	COLOR=YELLOW, PMS 102, PVC	STRAIN RELIEF, OVERMOLD, COLOR: YELLOW	5	
12	1650161-5	CONTACT, PIN, No.20, CRIMP	4	
2	1651391-1	HOUSING, REAR INSERT	3	
B	1	1651388-1	HOUSING, PIN, FRONT, RIGHT KEY SLOT	2
A	1	1651387-1	HOUSING, PIN, FRONT, LEFT KEY SLOT	1
DESIGNATOR	QTY	PART NO.	DESCRIPTION	ITEM
	-1			

DIMENSIONS: mm 		TOLERANCES UNLESS OTHERWISE SPECIFIED: 9 PLC ± 1 PLC ±0.5 5 PLC ±0.25 4 PLC ± ANGLES ± FINISH #2		DWN 08JUL2009 CHN/GRZYBOWSKI D. ORRIS APVD 08JUL2009 CHAU/PERCHERAE		Tyco Electronics Harrisburg, PA 17105-3608	
MATERIAL: - FINISH: -		WEIGHT: - CUSTOMER DRAWING		NAME: CABLE ASSEMBLY, COILED CORD PRODUCT SPEC: PIN CONTACT, 6X No.20, DATA CONNECTOR APPLICATION SPEC: PN: 902-0131-00100E SIZE: A100779 CAGE CODE: C=1651610		RESTRICTED TO: - SCALE: 3:4 SHEET: 1 OF 5 REV: H	

LOC	DIST	REV	DATE	BY	APPD
GP	00	1			
		2			
		3			
		4			
		5			

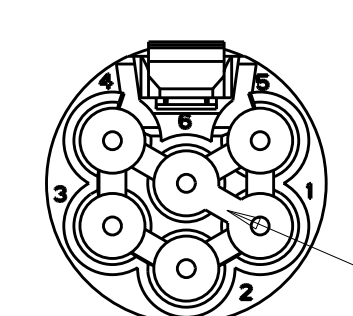


DETAIL ITEM 6
SCALE 5:1



RIGHT KEY FEATURE
B CONNECTOR

CONNECTOR B
FROM VIEW A-A
SCALE 2:1



LEFT KEY FEATURE
A CONNECTOR

CONNECTOR A
FROM VIEW A-A
SCALE 2:1

A SIDE

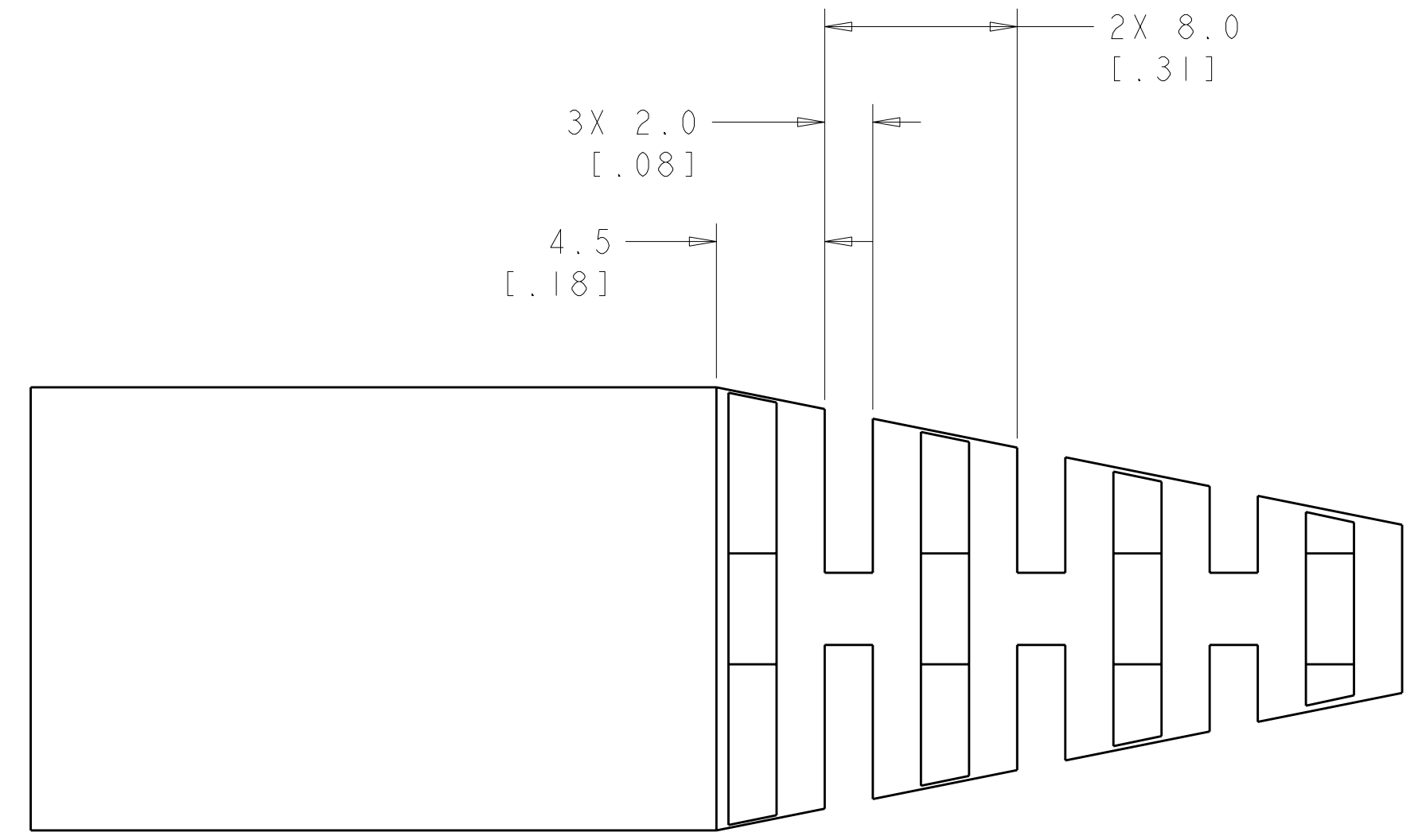
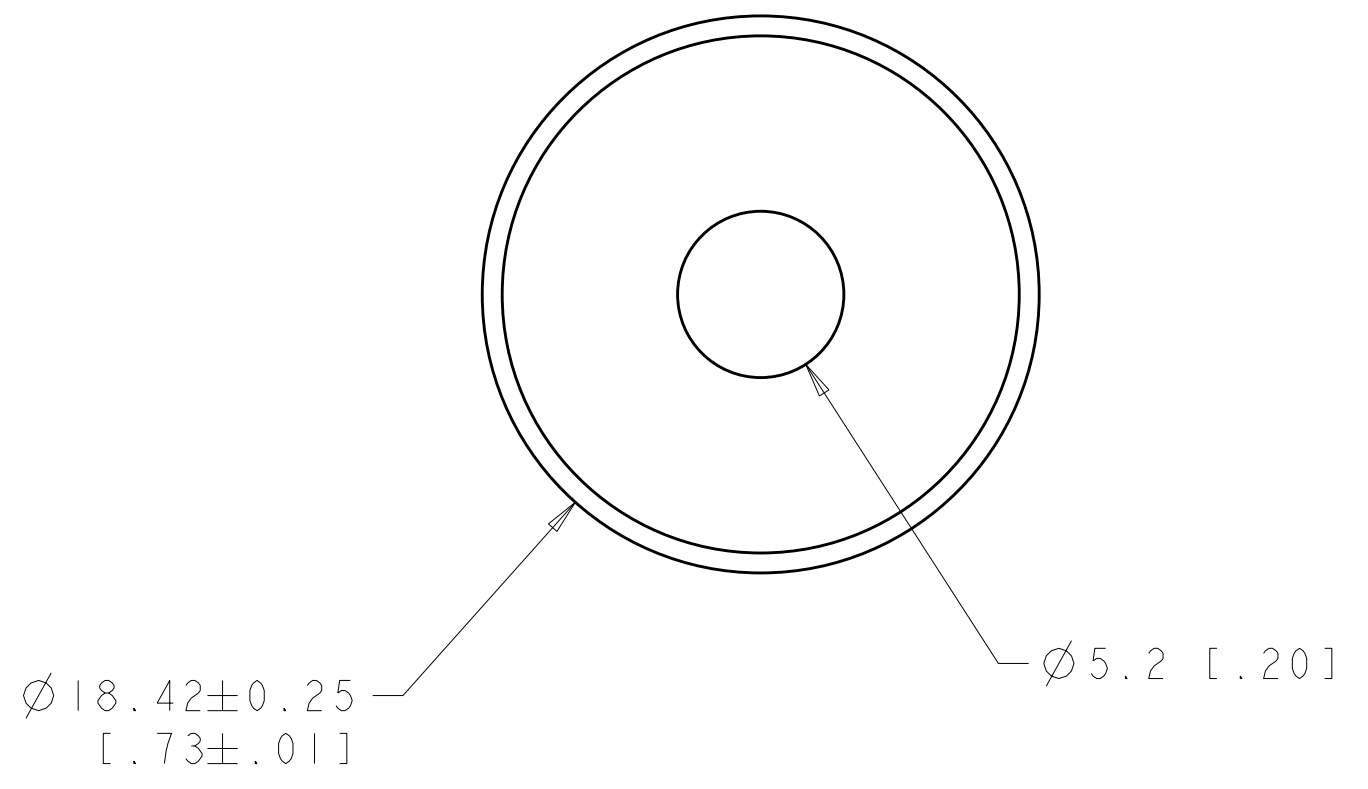
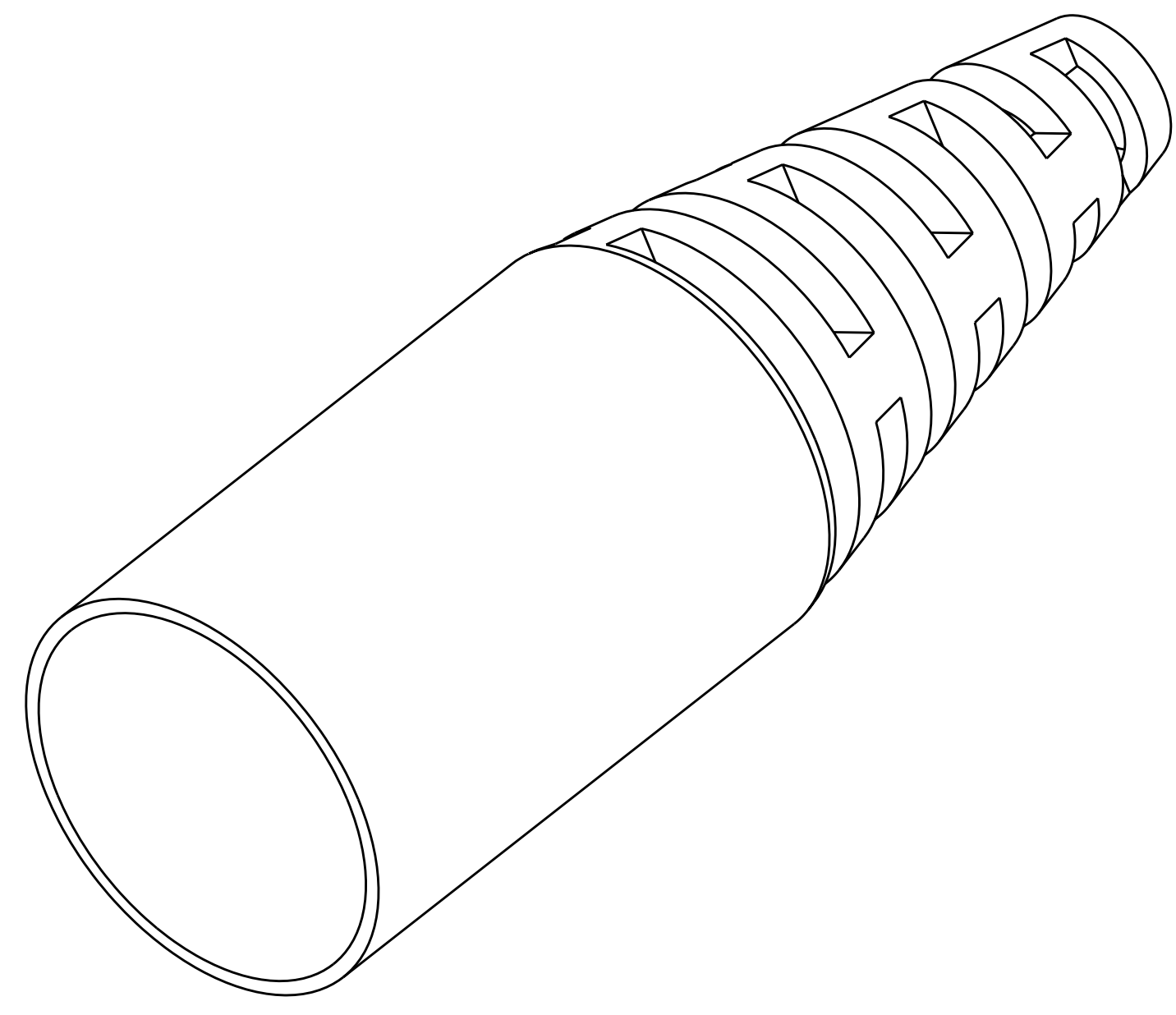
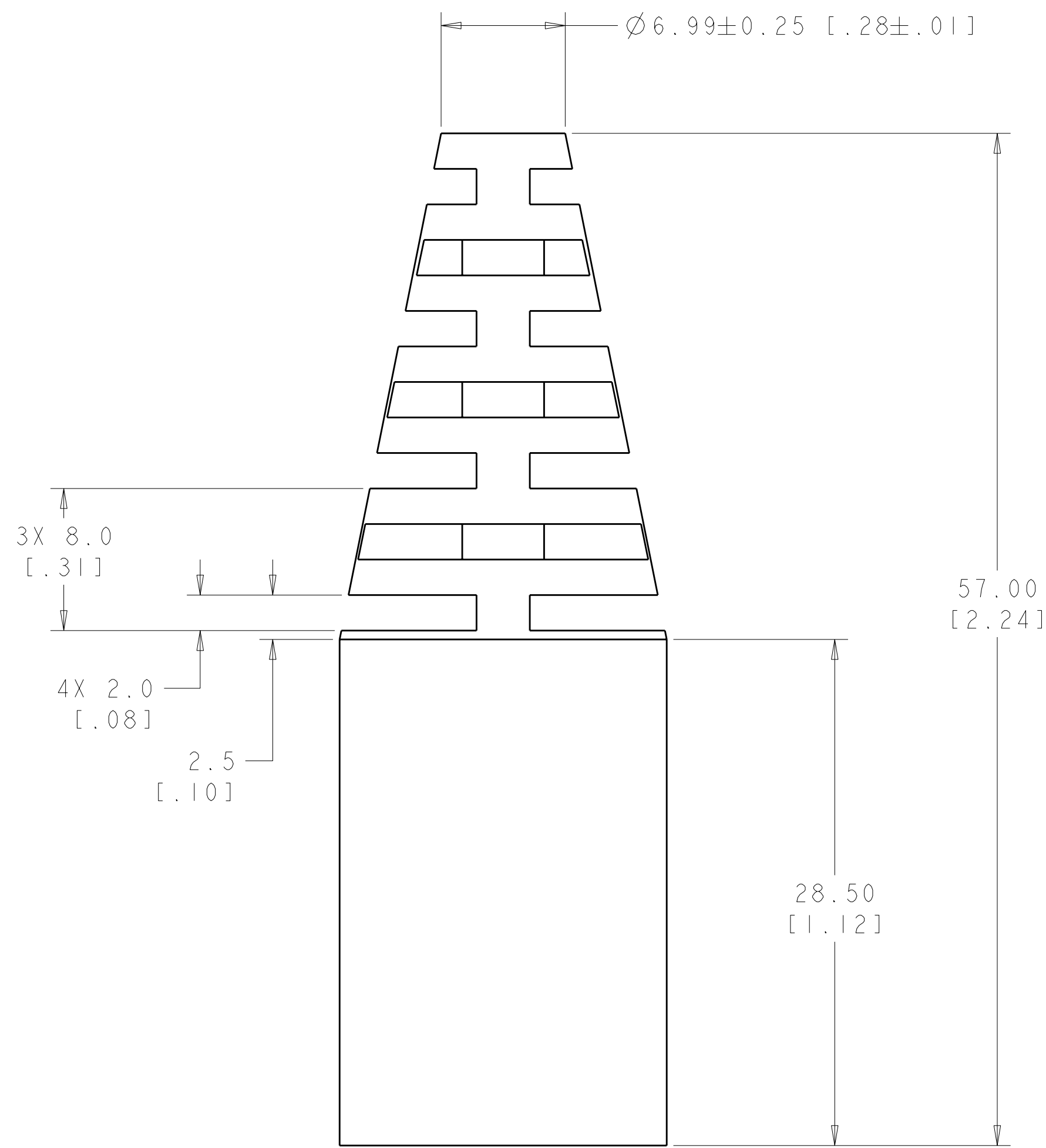
B SIDE

MOLEX CONNECTOR (J3) PIN NUMBER	WIRE COLOR	TYCO ELECTRONICS CONNECTOR (A) PIN NUMBER	SIGNAL NAME
1	PINK	6	PGNDA
TO ITEM 8	SEE ITEM 18	2	SHIELD
2	BLACK	3	WAKEA
3	RED	4	CANLA
4	GREEN	5	CANHA
5	PURPLE	1	PWR1NA

MOLEX CONNECTOR (J2) PIN NUMBER	WIRE COLOR	TYCO ELECTRONICS CONNECTOR (B) PIN NUMBER	SIGNAL NAME
5	BROWN	2	PGNDB
TO ITEM 8	SEE ITEM 18	6	SHIELD
4	GRAY	3	WAKEB
3	YELLOW	4	CANLB
2	BLUE	5	CANHB
1	ORANGE	1	PWR1NB

DIMENSIONS: mm 		TOLERANCES UNLESS OTHERWISE SPECIFIED: 0 PLC ± 1 PLC ±0.5 2 PLC ±0.25 3 PLC ± 4 PLC ± ANGLES ± FINISH #2		DWN: 08 JUL 2009 CHK: HAN/GRZYBOWSKI APVD: D ORRIS CHAU/PERCHERAE PRODUCT SPEC APPLICATION SPEC WEIGHT CUSTOMER DRAWING		Tyco Electronics Harrisburg, PA 17105-3608 NAME: CABLE ASSEMBLY, COILED CORD PIN CONTACT, 6X No.20, DATA CONNECTOR PN: 902-0131-00100E SIZE: CAGE CODE DRAWING NO. RESTRICTED TO A100779C=1651610 SCALE: 3:4 SHEET 2 OF 5 REV H	
--------------------	--	---	--	--	--	--	--

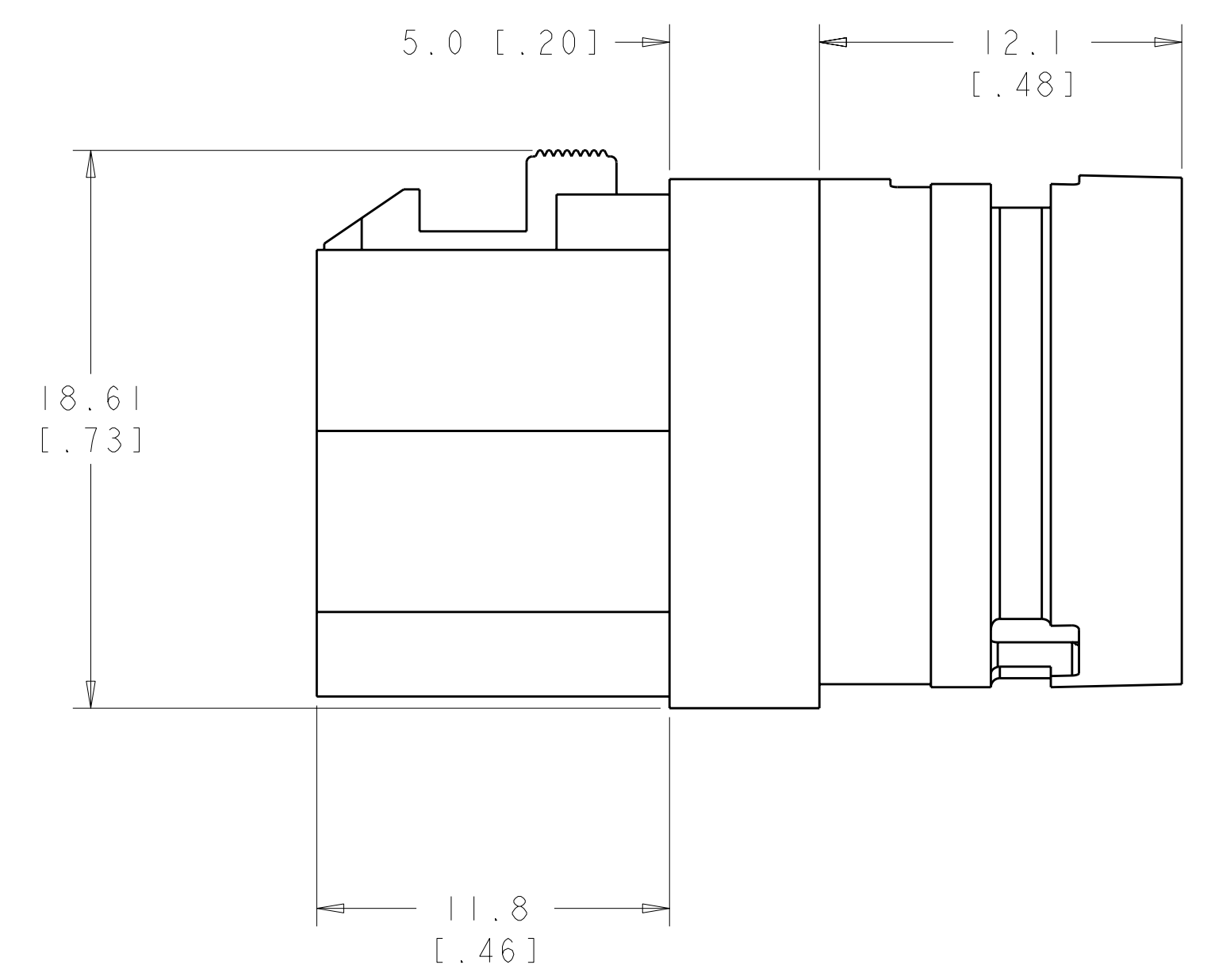
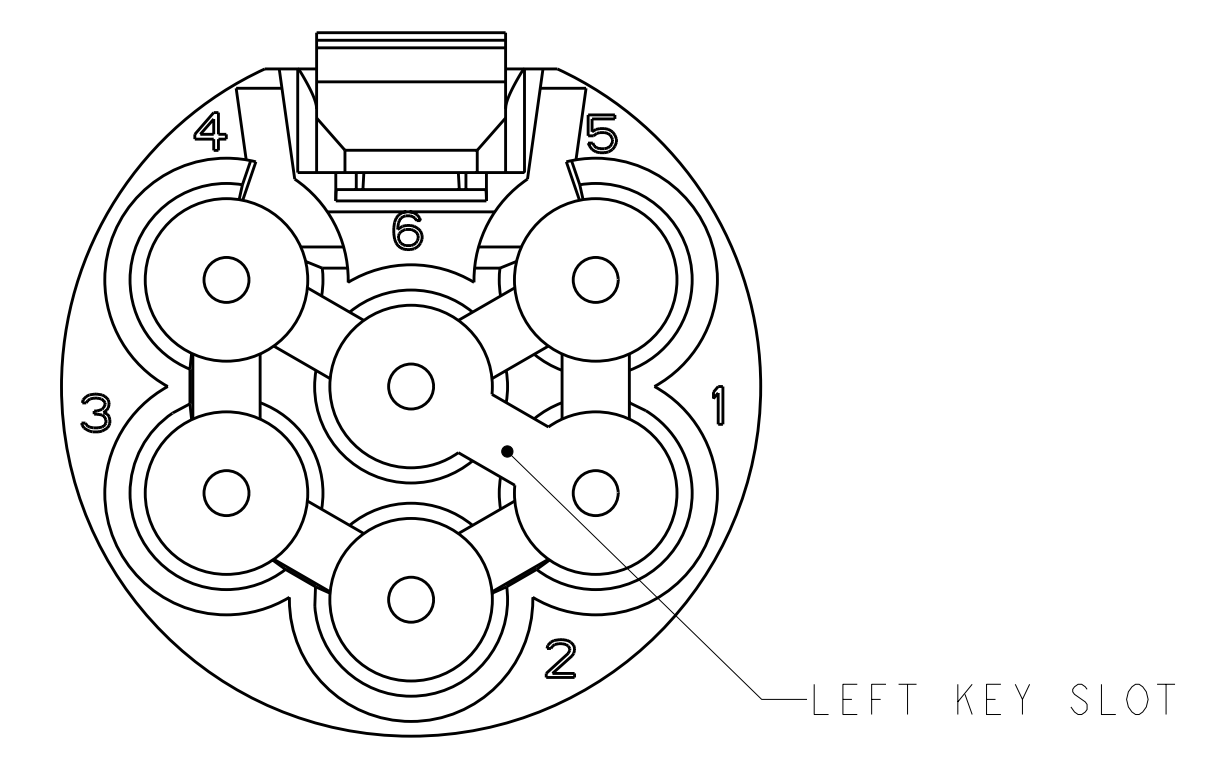
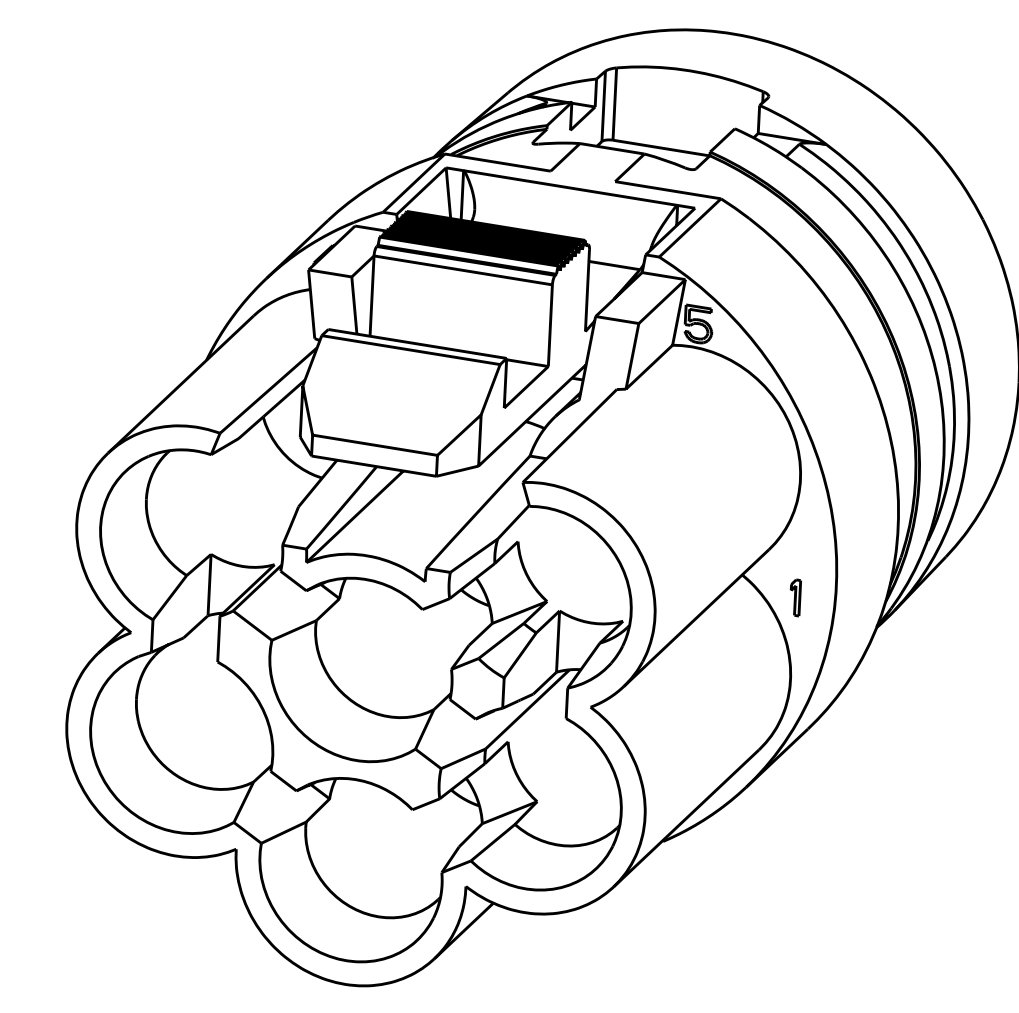
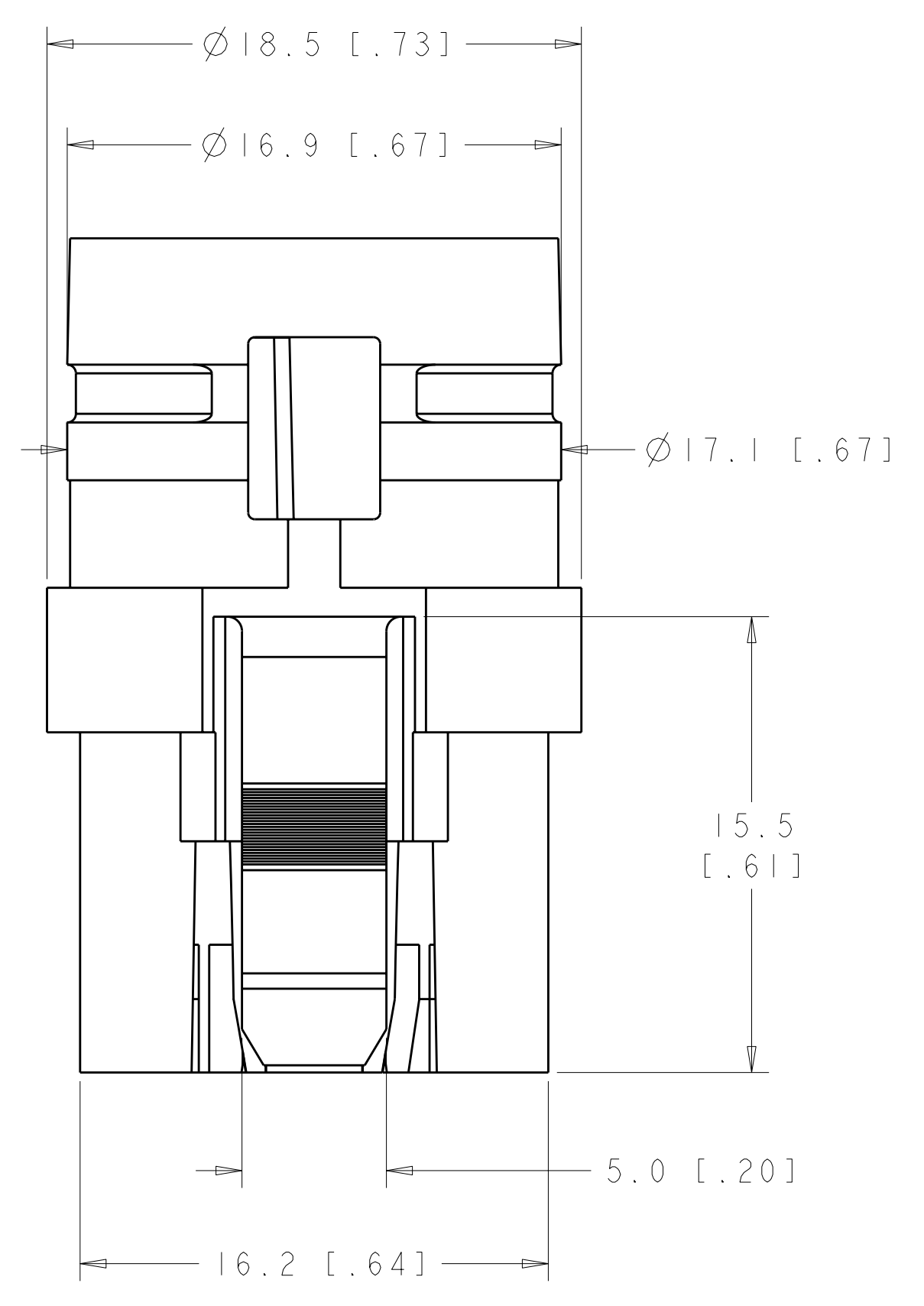
LOC	DIST	REV	DATE	BY	APPD
GP	00				
DESCRIPTION			DATE	DWN	APPD
SEE SHEET 1			-	-	-



STRAIN RELIEF IS PART OF THE CABLE ASSEMBLY
 SHOWN FOR REFERENCE INFORMATION ONLY

<small>THIS DRAWING IS UNPUBLISHED. RELEASED FOR PUBLICATION BY TYCO ELECTRONICS CORPORATION. ALL RIGHTS RESERVED. THIS DRAWING IS UNPUBLISHED. RELEASED FOR PUBLICATION BY TYCO ELECTRONICS CORPORATION. ALL RIGHTS RESERVED.</small>		DWN: 08 JUL 2009 CHK: HAN/GRZYBOWSKI APPD: 08 JUL 2009 PRODUCT SPEC: CHAU/PERCHERAE	Tyco Electronics Harrisburg, PA 17105-3608
DIMENSIONS: mm TOLERANCES UNLESS OTHERWISE SPECIFIED: 0 PLC ± 1 PLC ±0.5 2 PLC ±0.25 3 PLC ± 4 PLC ± ANGLES ±#2 FINISH	NAME: CABLE ASSEMBLY, COILED CORD PIN CONTACT, 6X No.20, DATA CONNECTOR PN: 902-0131-00100E	SIZE: A CAGE CODE: 100779 DRAWING NO: C-1651610	RESTRICTED TO: - SCALE: 3:4 SHEET: 3 OF 5 REV: H
MATERIAL: -		CUSTOMER DRAWING	

LOC	DIST	REVISIONS			
P	LTR	DESCRIPTION	DATE	DWN	APVD
GP	00	SEE SHEET 1	-	-	-



PIN HOUSING, LEFT KEY IS PART OF THE CABLE ASSEMBLY
 SHOWN FOR REFERENCE INFORMATION ONLY

<small>THIS DRAWING IS UNPUBLISHED. RELEASED FOR PUBLICATION BY TYCO ELECTRONICS CORPORATION. ALL RIGHTS RESERVED. THIS IS SUBJECT TO CHANGE WITHOUT NOTICE AND WITHOUT OBLIGATION. SHOULD BE CONTACTED FOR THE LATEST REVISION.</small>		DWN: 08 JUL 2009 CHK: HAN/GRZYBOWSKI APVD: D. ORRIS CHAU/PERCHERAE	Tyco Electronics Harrisburg, PA 17105-3608
DIMENSIONS: mm 	TOLERANCES UNLESS OTHERWISE SPECIFIED: 9 PLC ± 1 PLC ±0.5 2 PLC ±0.25 3 PLC ± 4 PLC ± ANGLES ± FINISH ±#2	NAME: HAN/GRZYBOWSKI PRODUCT SPEC: APPLICATION SPEC: WEIGHT: CUSTOMER DRAWING	Tyco Electronics Harrisburg, PA 17105-3608 NAME: CABLE ASSEMBLY, COILED CORD PIN CONTACT, 6X No.20, DATA CONNECTOR PN: 902-0131-00100E SIZE: A 00779 C=1651610 SCALE: 3:4 SHEET 5 OF 5 REV H

单击下面可查看定价，库存，交付和生命周期等信息

[>>TE Connectivity\(泰科\)](#)