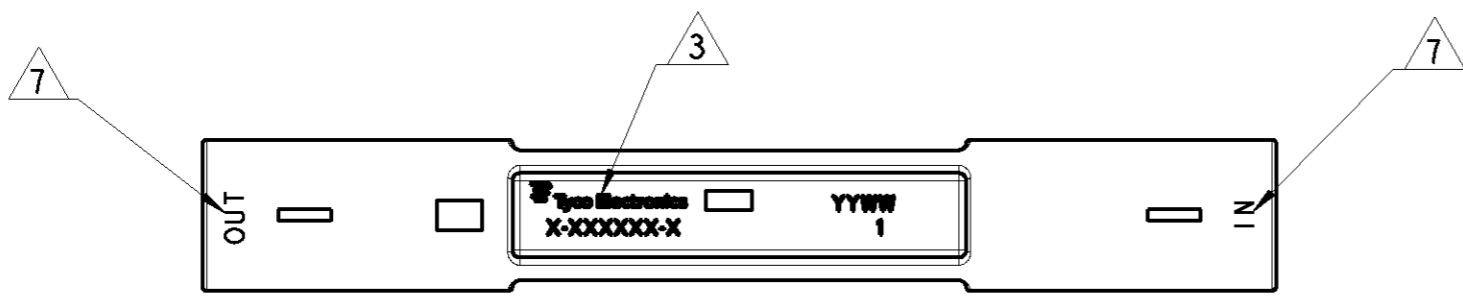
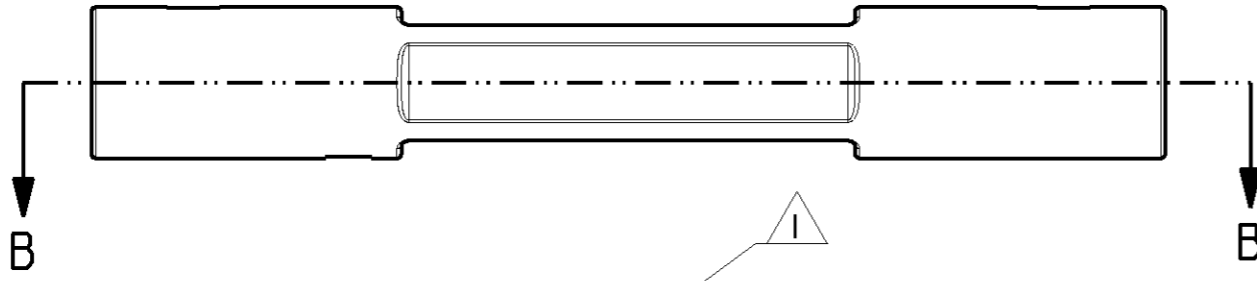


THIS DRAWING IS UNPUBLISHED. RELEASED FOR PUBLICATION 2005
 © COPYRIGHT 2005 BY TYCO ELECTRONICS CORPORATION. ALL RIGHTS RESERVED.

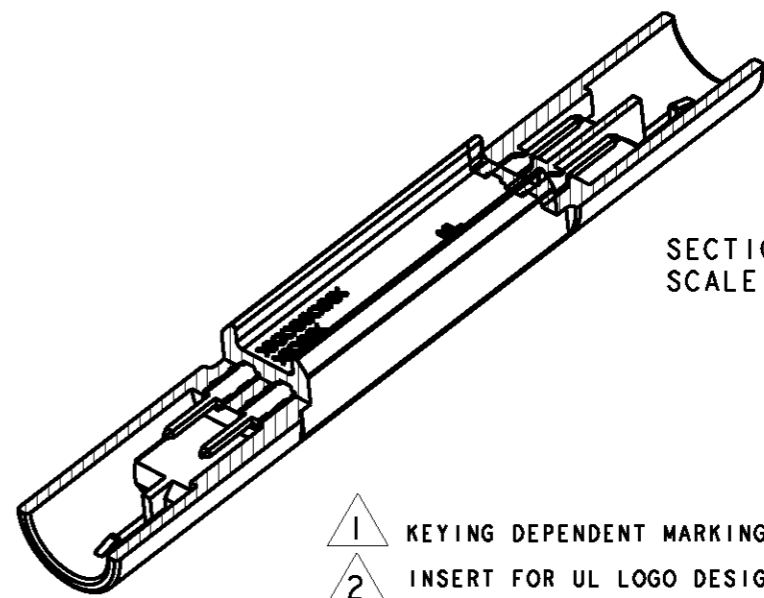
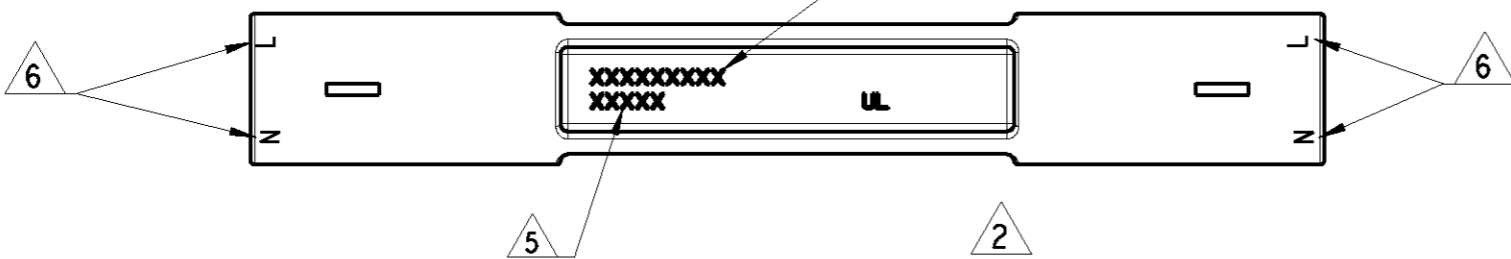
LOC	DIST	REVISIONS			
P	LTR	DESCRIPTION	DATE	DWN	APVD
1		A	FIRST ISSUE	19FEB2010	AV GT



KEYING HV-4

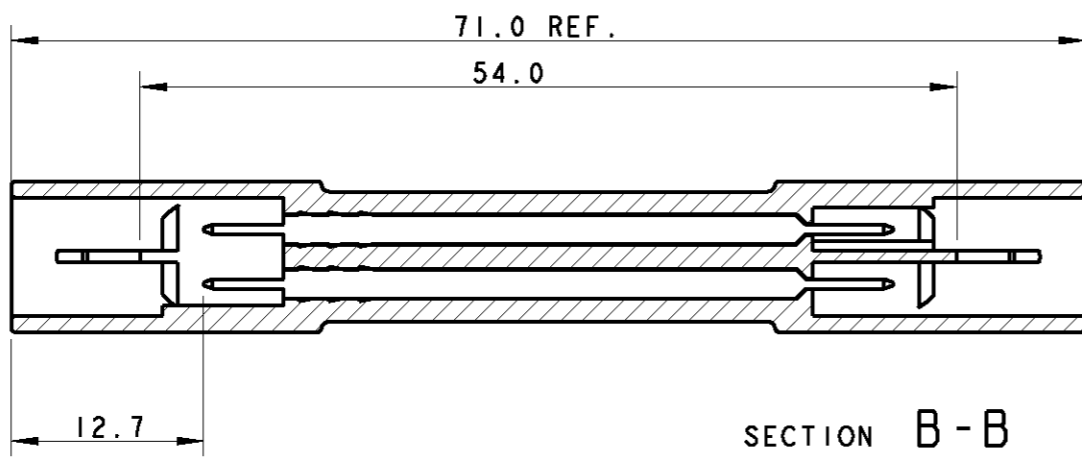


KEYING HV-5



SECTION A-A
SCALE 9:5

- 1 KEYING DEPENDENT MARKING (SEE TABLE)
- 2 INSERT FOR UL LOGO DESIGN BUT NOT EXECUTE
- 3 PART MARKING
-Tyco Electronics Product Identifier
Date Code
Part number
- 4 MATERIAL:
HOUSING PBT GFF15X
CONTACT: BRASS TIN PLATED
- 5 RAW MATERIAL IDENTIFICATION
PBT GFF15
- 6 WAY IDENTIFICATION
- 7 INPUT-OUTPUT WAY DESCRIPTION
- 8 NOT YET RELEASED FOR PRODUCTION



SECTION B-B

8	HV4-HV5	HIGH-VOLT 125 Vac	6A 125V AC~	293647-1	A
NOTE	KEYING	REMARKS	MARKING 1	P/N	REV.

THIS DRAWING IS A CONTROLLED DOCUMENT FOR TYCO ELECTRONICS CORPORATION IT IS SUBJECT TO CHANGE AND THE CONTROLLING ENGINEERING ORGANIZATION SHOULD BE CONTACTED FOR THE LATEST REVISION.		DWN 19FEB2010 A. Vecchia		Tyco Electronics AMP Italia S.r.l. 10093 Collegno TO	
DIMENSIONS: mm		TOLERANCES UNLESS OTHERWISE SPECIFIED: 0 PLC ±0.3 1 PLC ± 2 PLC ± 3 PLC ± 4 PLC ± ANGLES ±		CHK 19FEB2010 G. Turco APVD 19FEB2010 G. Turco	
MATERIAL 4		FINISH		NAME OUTLET BRIDGE ASS'Y FOR USA MARKET	
WEIGHT		PRODUCT SPEC		APPLICATION SPEC	
CUSTOMER DRAWING		SCALE 2:1		SHEET 1 OF 1 REV A	

单击下面可查看定价，库存，交付和生命周期等信息

[>>TE Connectivity\(泰科\)](#)