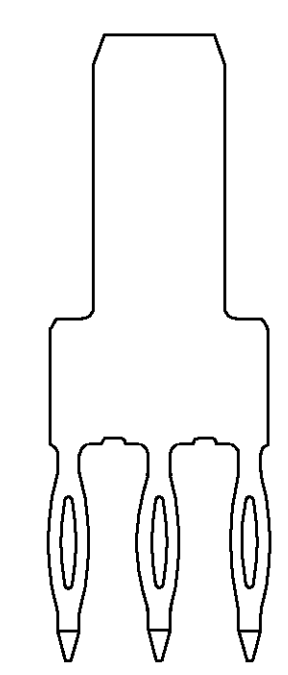
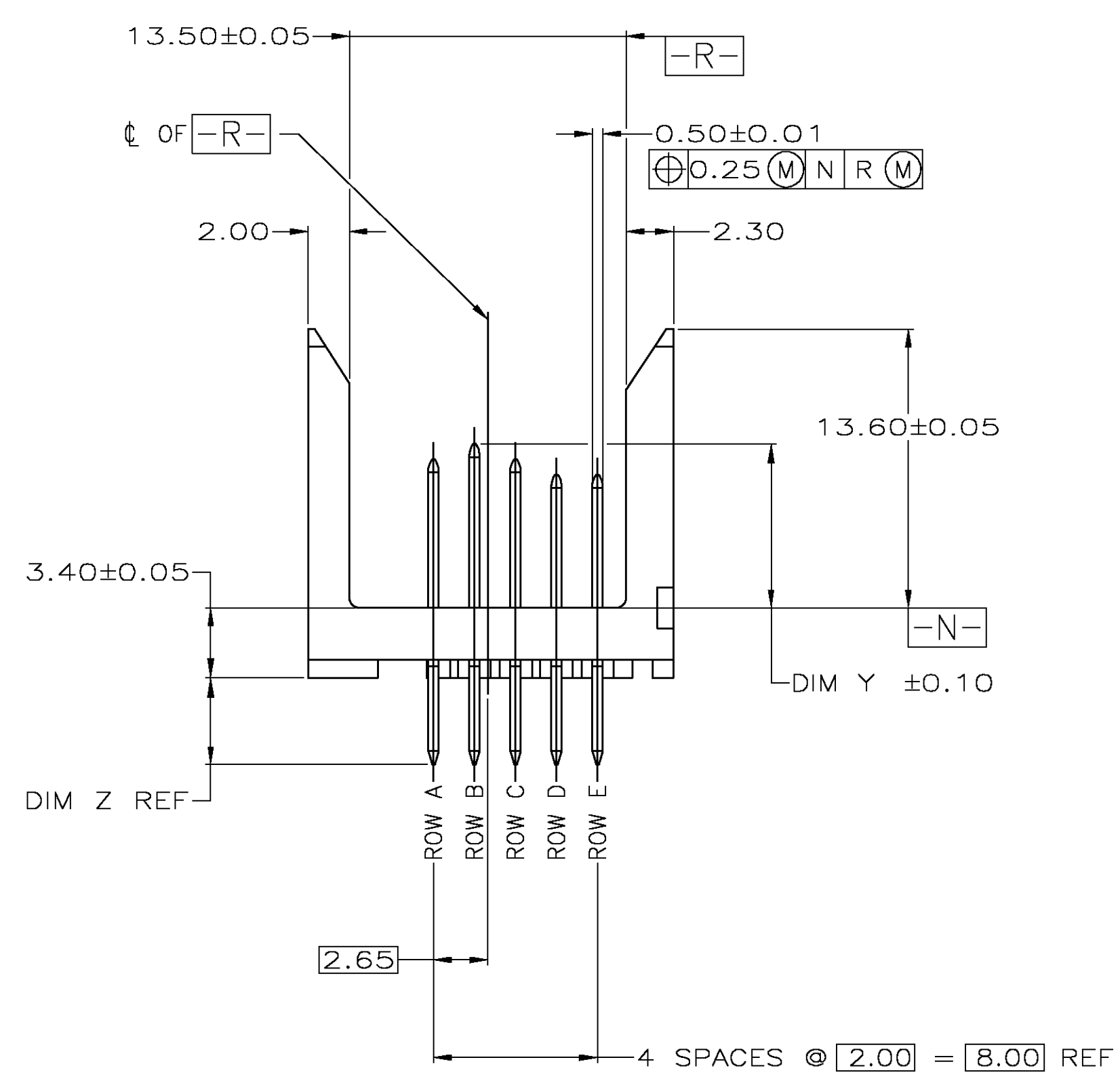


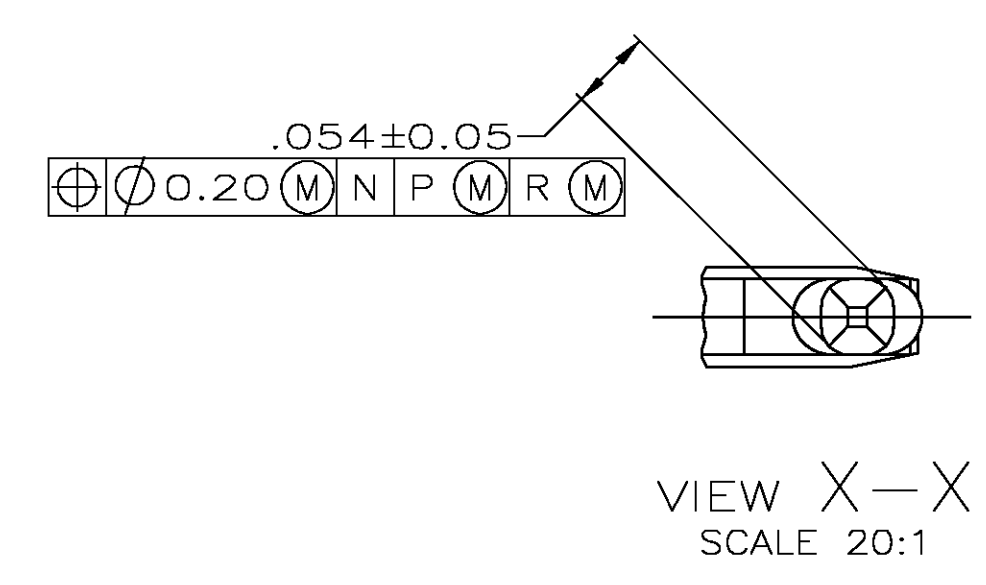
AC	8.00	4.25
AB	7.25	4.25
AA	6.50	4.25
LETTER CODE	DIM Y	DIM Z

E	AA	AA	E				
D	AA	AA	D				
C	AB	AB	C				
B	AC	AC	B				
A	AB	AB	A				
ROW	1	2	3	4	5	6	ROW
POSITION							
CONTACT LOAD CHART							

- △ HOUSING MATERIAL: LIQUID CRYSTAL POLYMER.  
COLOR: NATURAL.
- △ CONTACT MATERIAL: PHOSPHOR BRONZE
- △ CONTACT FINISH:(D)  
UNDERPLATE (ENTIRE CONTACT):  
0.00127 MIN NICKEL PER SAE-AMS-QQ-N-290  
ON MATING SURFACES:  
FLASH GOLD PER ASTM B 488, OVER  
0.00076 MIN PALLADIUM-NICKEL OVER UNDERPLATE, OR  
0.00076 MIN GOLD PER ASTM B 488 OVER UNDERPLATE.  
ON LEADS:  
0.00127 MIN MATTE TIN PER ASTM B 545 OVER UNDERPLATE.  
LUBRICATION (MIN MATING SURFACES):  
SURFACE CONDITIONER AFTER PLATING.
- △ PART MARKING LOCATED APPROXIMATELY AS SHOWN.



SECTION A-A  
SCALE 6:1



VIEW X-X  
SCALE 20:1

△	5536684-1
FINISH	PART NUMBER

THIS DRAWING IS A CONTROLLED DOCUMENT.

DIMENSIONS: mm	TOLERANCES UNLESS OTHERWISE SPECIFIED:	DIN T. SHUEY 7-21-98	Tyco Electronics Corporation
0 PLC ± -	1 PLC ± -	CHK D. KOVALICK 7-29-98	Harrisburg, Pa 17105-3508
2 PLC ± 0.13	3 PLC ± -	AP'D D. KOVALICK 7-29-98	NAME
4 PLC ± -	ANGLES ± -	PRODUCT SPEC	PIN ASSY, POWER, VERTICAL, Z-PACK 2mm FB, 5 ROW, PRESS FIT LEADS, FULLY LOADED
MATERIAL	FINISH	APPLICATION SPEC	SIZE
△	△	WEIGHT	A1
△	△	CAGE CODE	00779
△	△	DRAWING NO	5536684
△	△	RESTRICTED TO	-
△	△	CUSTOMER DRAWING	SCALE 4:1
△	△	SHEET	1 OF 1
△	△	REV	Q

单击下面可查看定价，库存，交付和生命周期等信息

[>>TE Connectivity\(泰科\)](#)