

4

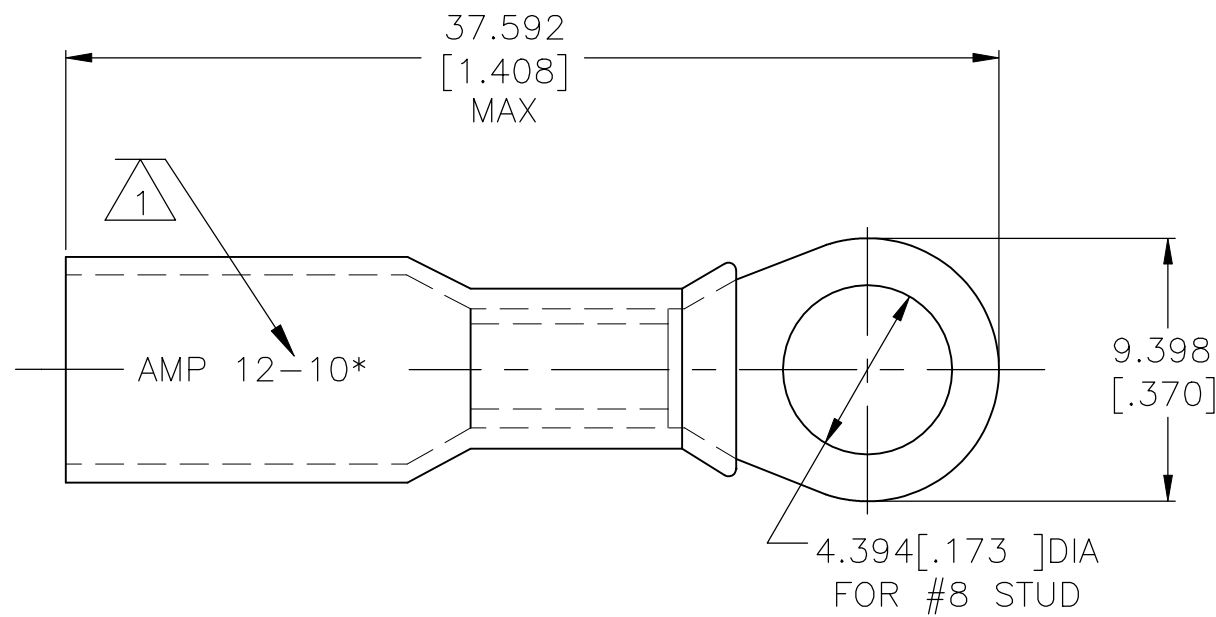
3

2

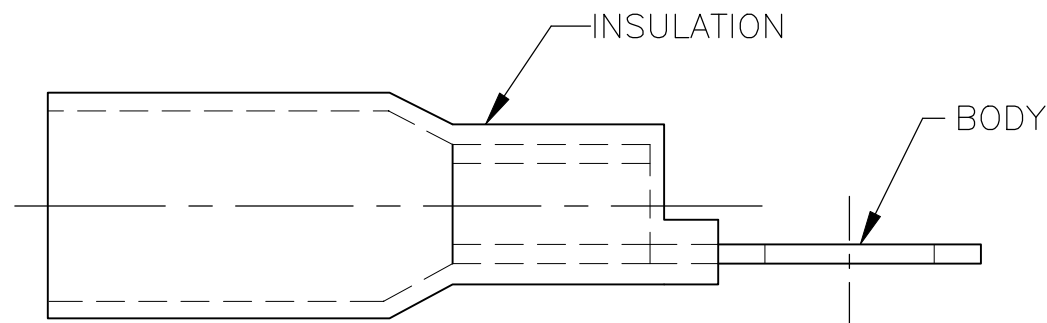
1

THIS DRAWING IS UNPUBLISHED. RELEASED FOR PUBLICATION  
 © COPYRIGHT - TE Connectivity Ltd. ALL RIGHTS RESERVED.

REVISIONS					
P	LTR	DESCRIPTION	DATE	DWN	APVD
	E	REVISED PER ECR-09-027352	17FEB10	JR	TM
	E1	REVISED PER ECO-17-016703	04APR2018	RS	DR



- 1 STAMP AMP 12-10\* APPROX AS SHOWN
- 2 WIRE INSULATION 6.096[.240] DIA MAX
- 3 BODY MATERIAL THK IS 1.016±0.051[.040±.002]
- 4 NOTE DELETED



<b>AMP</b> WIRE RANGE
12-10 AWG STRANDED

25	LOOSE PIECE	8-55856-3
500	LOOSE PIECE	55856-1
QTY	PACKAGE TYPE	PART NO

**AMP INCORPORATED  
CUSTOMER SERVICE SYSTEMS**

MAX RECOMMENDED OPERATING TEMPERATURE:  
125°C[257°F] MAX

THIS DRAWING IS A CONTROLLED DOCUMENT.

DWN	S S GOULDEN	6/93
CHK	R HERSEY	6/93
APVD	B BARE	6/93



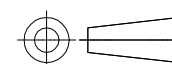
FOR ADDITIONAL PRODUCT INFORMATION OR COPIES OF DRAWINGS AND TECHNICAL DOCUMENTS

PRODUCT INFORMATION CENTER  
1-800-522-6752

VOLTAGE RATING:  
600V MAX (BUILDING WIRING)  
1000V MAX (FIXTURES & SIGNS)

DIMENSIONS:  
mm [INCHES]

TOLERANCES UNLESS OTHERWISE SPECIFIED:



0 PLC	± -
1 PLC	± -
2 PLC	± -
3 PLC	± 0.127[.005]
4 PLC ANGLES	± - ± -

NAME  
TERMINAL, RING TONGUE, SEALABLE  
HEAT SHRINKABLE  
12-10 AWG

FOR APPLICATION TOOLING INFORMATION

TOOLING ASSISTANCE CENTER  
1-800-722-1111

CIRCULAR MIL AREA:  
2.62-6.64<sup>2</sup> [5180-13100]  
STRANDED

MATERIAL  
BODY: ETP COPPER  
INSULATION: POLYOLEFIN

FINISH  
BODY: EDP TIN PLATED  
INSULATION:  
COLOR-YELLOW

PRODUCT SPEC  
APPLICATION SPEC  
408-4022

SIZE	CAGE CODE	DRAWING NO	RESTRICTED TO
A3	00779	C-55856	-

FOR ORDER ENTRY 1-800-526-5142

THIS DRAWING IS A CONTROLLED DOCUMENT FOR AMP INCORPORATED. IT IS SUBJECT TO CHANGE AND THE CONTROLLING ENGINEERING ORGANIZATION SHOULD BE CONTACTED FOR THE LATEST REVISION.

WEIGHT	CUSTOMER DRAWING	SCALE	NTS	SHEET	1 OF 1	REV	E1
--------	------------------	-------	-----	-------	--------	-----	----

单击下面可查看定价，库存，交付和生命周期等信息

[>>TE Connectivity\(泰科\)](#)