

4

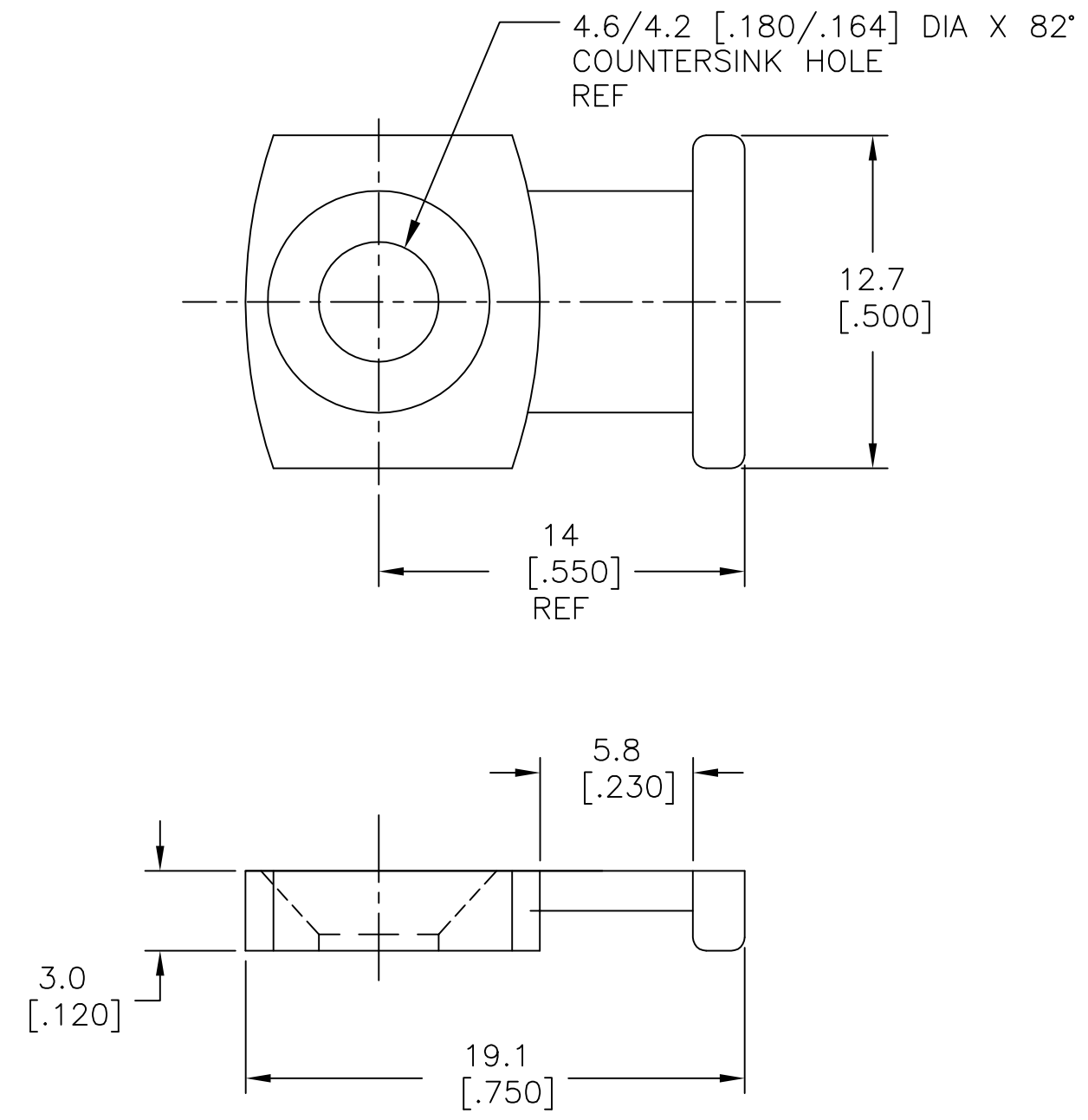
3

2

1


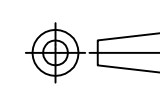
THIS DRAWING IS UNPUBLISHED. RELEASED FOR PUBLICATION
 © COPYRIGHT - TE Connectivity ALL RIGHTS RESERVED.

REVISIONS					
P	LTR	DESCRIPTION	DATE	DWN	APVD
	F	REV PER ECR 10-015407	28JUL10	JR	TM
	F1	REVISED PER ECO-17-009170	07OCT2017	RS	DR



1 NOT WEATHER RESISTANT

100	LOOSE PIECE	1-350087-0
QTY PER PACK	PACKAGE TYPE	PART NO.

THIS DRAWING IS A CONTROLLED DOCUMENT.		DWN jr_ruth 23FEB09	 TE Connectivity				
DIMENSIONS: mm [INCHES]		CHK TOM MICHIELUTTI 23FEB09				NAME BASE, PRE-MOUNTABLE, CABLE TIE	
TOLERANCES UNLESS OTHERWISE SPECIFIED:		APVD TOM MICHIELUTTI 23FEB09	PRODUCT SPEC				
		—	APPLICATION SPEC				
MATERIAL 6,6 NYLON		FINISH COLOR - BLACK	WEIGHT —	SIZE A3	CAGE CODE 00779	DRAWING NO C-350087	RESTRICTED TO —
CUSTOMER DRAWING			SCALE 4:1	SHEET 1 OF 1	REV F1		

单击下面可查看定价，库存，交付和生命周期等信息

[>>TE Connectivity\(泰科\)](#)