

THIS DRAWING IS UNPUBLISHED.

RELEASED FOR PUBLICATION

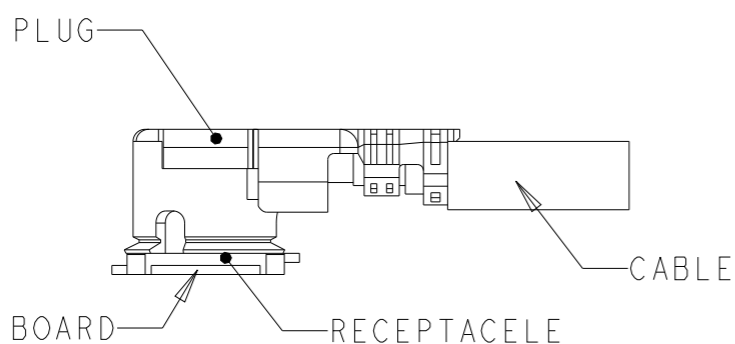
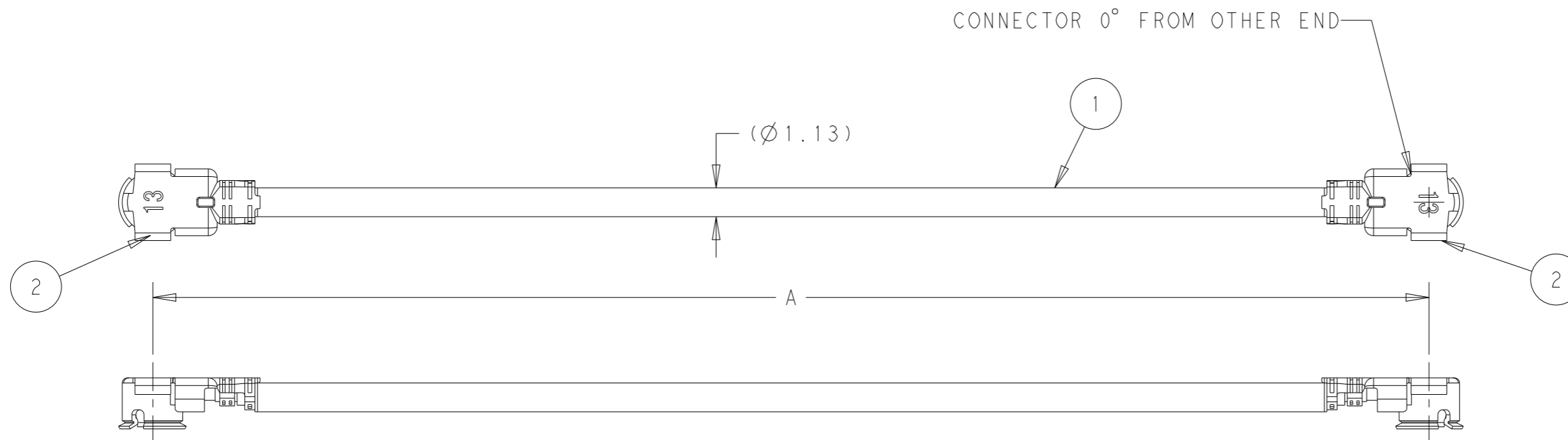
20

REVISIONS

© COPYRIGHT 20 BY - ALL RIGHTS RESERVED.


P	LTR	DESCRIPTION	DATE	DWN	APVD
	C	-8 Length Changed	09OCT2017	CR	JLM
	C1	ECR-20-003193	04MAR2020	JL	RS
	C2	ECR-20-010112	28JUN2020	CL	SZ
	C3	ECR-21-103575 (NEW PN)	18MAY2021	JZ	WKH

- PARTS AND PROCESSES RoHS COMPLIANT PER TE CONNECTIVITY STANDARD TEC-138-702.
- 100% OPEN AND SHORT MISWIRE TEST.



150±3	IPX-20278-112R OR EQUIVALENT	BLACK	1.13 MM	1-2118651-3
80±2	IPX-20278-112R OR EQUIVALENT	BLACK	1.13 MM	1-2118651-2
509±5	IPX-20278-112R OR EQUIVALENT	BLACK	1.13 MM	1-2118651-1
60±2	IPX-20278-112R OR EQUIVALENT	BLACK	1.13 MM	1-2118651-0
250±5	IPX-20278-112R OR EQUIVALENT	BLACK	1.13 MM	2118651-9
200±3	IPX-20278-112R OR EQUIVALENT	BLACK	1.13 MM	2118651-8
90±2	IPX-20278-112R OR EQUIVALENT	BLACK	1.13 MM	2118651-7
90±2	IPX-20278-112R OR EQUIVALENT	GRAY	1.13 MM	2118651-6
70±2	IPX-20278-112R OR EQUIVALENT	BLACK	1.13 MM	2118651-5
40±2	IPX-20278-112R OR EQUIVALENT	BLACK	1.13 MM	2118651-4
75±2	IPX-20278-112R OR EQUIVALENT	BLACK	1.13 MM	2118651-3
30±2	IPX-20278-112R OR EQUIVALENT	BLACK	1.13 MM	2118651-2
140±3	IPX-20278-112R OR EQUIVALENT	BLACK	1.13 MM	2118651-1
A	CONNECTOR (2)	COLOR-CABLE (1)	PART NUMBER	

PRINTED CIRCUIT BOARD RECEPTACLE

THIS DRAWING IS A CONTROLLED DOCUMENT.		DWN J. SCHOLZ 01APR2016	 TE Connectivity													
DIMENSIONS: mm		CHK J. SCHOLZ 01APR2016														
TOLERANCES UNLESS OTHERWISE SPECIFIED:		APVD J. MOORE 01APR2016	NAME CABLE ASSEMBLY, COAX 1.13 MM DOUBLE ENDED, I-PEX PLUG 20278-112R-13													
<table border="0"> <tr> <td>0 PLC</td> <td>±-</td> </tr> <tr> <td>1 PLC</td> <td>±-</td> </tr> <tr> <td>2 PLC</td> <td>±-</td> </tr> <tr> <td>3 PLC</td> <td>±-</td> </tr> <tr> <td>4 PLC</td> <td>±-</td> </tr> <tr> <td>ANGLES</td> <td>±-</td> </tr> </table>		0 PLC	±-	1 PLC	±-	2 PLC	±-	3 PLC	±-	4 PLC	±-	ANGLES	±-	PRODUCT SPEC	SIZE A300779	
0 PLC	±-															
1 PLC	±-															
2 PLC	±-															
3 PLC	±-															
4 PLC	±-															
ANGLES	±-															
MATERIAL		APPLICATION SPEC	DRAWING NO C-2118651													
		WEIGHT	RESTRICTED TO													
		CUSTOMER DRAWING	SCALE 8:1 SHEET 1 OF 1 REV C3													

单击下面可查看定价，库存，交付和生命周期等信息

[>>TE Connectivity\(泰科\)](#)